



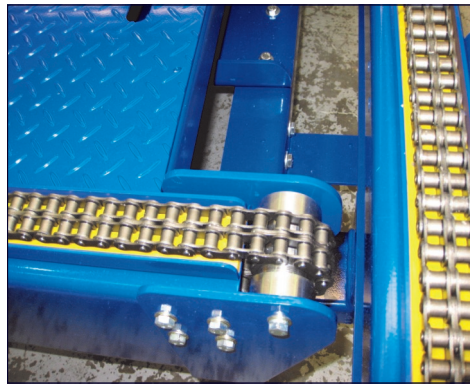
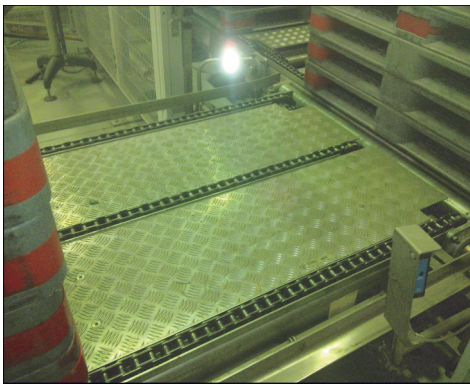
Pallet Handling



**Conveyors - Pallet Handling - Palletising
Automation - Special Purpose Machinery**

Contents

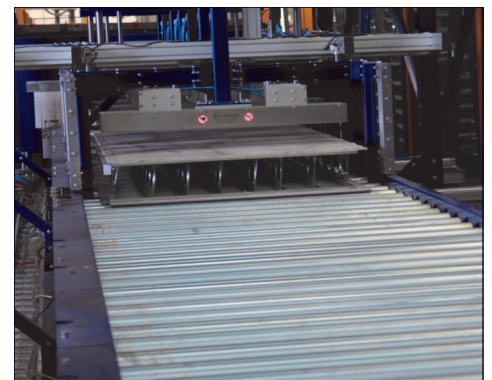
PALLET CHAIN CONVEYORS	3
PALLET ROLLER CONVEYORS	4
PALLET TRANSFER MODULES	5
PALLET HANDLING ACCESSORIES	6
PALLET STACKER/DE-STACKER	7
CONTACT DETAILS	8



Australis Engineering provides a full range of ***Pallet Handling Conveyors and Specialised Modules*** to suit all of your pallet handling, conveying or palletising requirements.

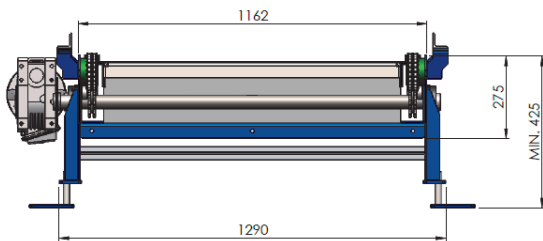
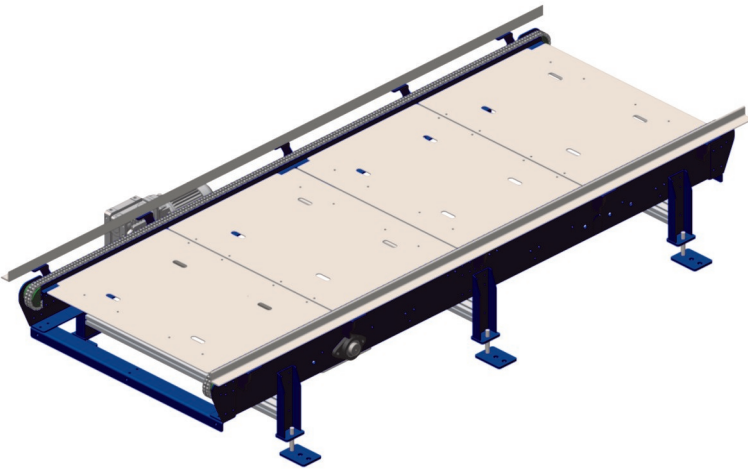
Our ***Pallet Handling Systems*** offers Medium Duty and Heavy Duty model ranges to cater for variations in the weight of loaded pallets.

Australis Engineering's pallet handling system is flexible and modular in design so modules can be easily integrated into existing pallet handling systems, or adapted for different standard pallet sizes.



PALLET CHAIN CONVEYORS

MEDIUM DUTY CHAIN CONVEYOR (DUAL-CHAIN)



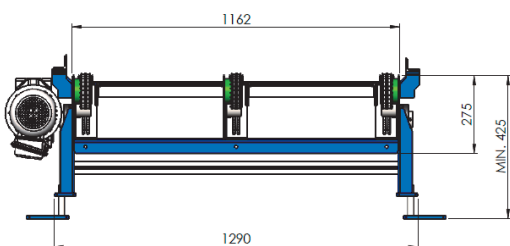
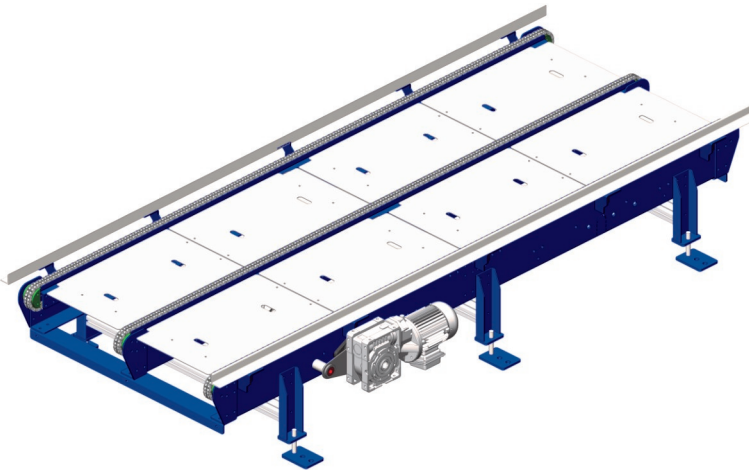
- Adaptable body design allows multiple drive position configurations to best suit specific applications
- Available with aluminium and steel leg set variants (steel shown)
- Guide rails included (shown)
- Body modules can be joined for longer length conveyors

ITEM NO.	TYPE	LENGTH
SPCM-M01-01	MD FULL MODULE	3000mm
SPCM-M01-02	MD HALF MODULE	1500mm



- Max. Load Rating: 800 kg/ pallet
- Max. Loading:
SPCM-M01-01 - 2 pallets per module
SPCM-M01-02 - 1 pallet per module
- Suitable for standard CHEP pallets (1165 x 1165 x 150 mm)
Custom pallet sizes and applications available

HEAVY DUTY CHAIN CONVEYOR (TRIPLE CHAIN)



- Adaptable body design allows multiple drive position configurations to best suit specific applications
- Available with aluminium and steel leg set variants (steel shown)
- Guide rails included (shown)
- Conveyor infill plates- optional (shown)
- Body modules can be joined for longer length conveyors

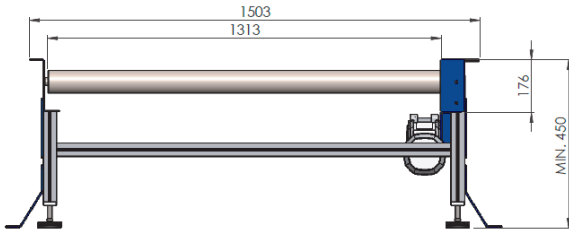
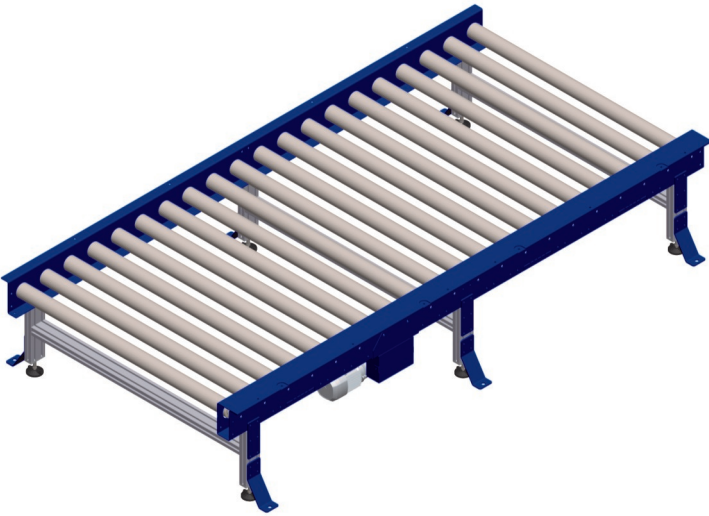
ITEM NO.	TYPE	LENGTH
SPCH-M01-01	HD FULL MODULE	3000mm
SPCH-M01-02	HD HALF MODULE	1500mm



- Max. Load Rating: 1800 kg/ pallet
- Max. Loading:
SPCH-M01-01 - 2 pallets per module
SPCH-M01-02 - 1 pallet per module
- Suitable for standard CHEP pallets (1165 x 1165 x 150 mm)
Custom pallet sizes and applications

PALLET ROLLER CONVEYORS

MEDIUM DUTY PALLET ROLLER CONVEYOR



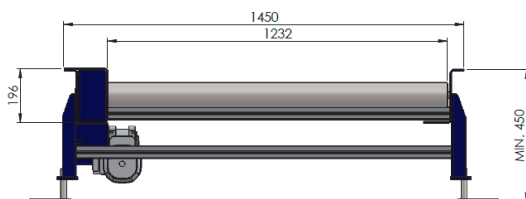
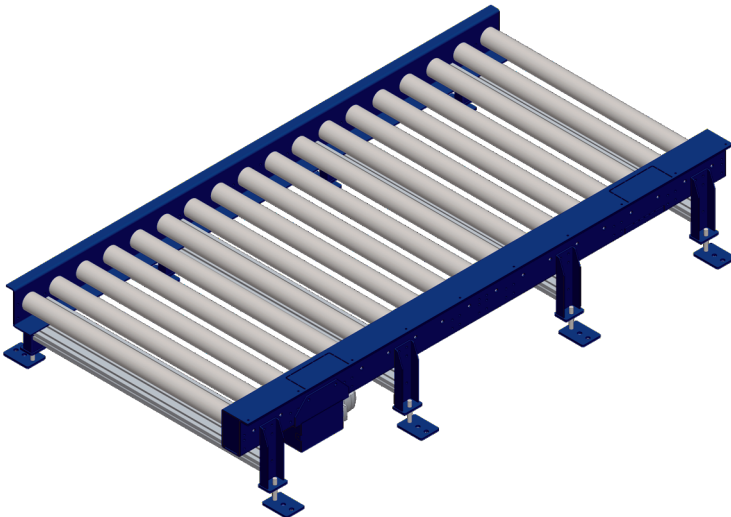
- Adaptable body design allows multiple drive position configurations to best suit specific applications
- Available with aluminium profile or steel legs (aluminium shown)
- Integrated rails (high side guides optional)

ITEM NO.	TYPE	LENGTH
SPCM-M01-01	MD FULL MODULE	3000mm
SPCM-M01-02	MD HALF MODULE	1500mm



- Max. Load Rating: 800 kg/ pallet
- 76mm Roller Diameter
- Max. Loading:
SPRM-M01-01 - 2 pallets per module
SPRM-M01-02 - 1 pallet per module
- Suitable for standard CHEP pallets (1165 x 1165 x 150 mm)
Custom pallet sizes and applications available

HEAVY DUTY PALLET ROLLER CONVEYOR



- Adaptable body design allows multiple drive position configurations to best suit specific applications
- Available with aluminium profile or steel legs (steel shown)
- Guide rails optional (not shown)
- **Super Heavy Duty (SHD) variant also available. (Max. Load Rating: >1800 kg) - Enquire for further details**

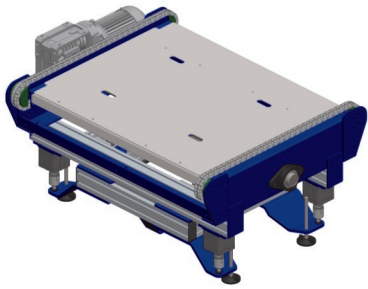
ITEM NO.	TYPE	LENGTH
SPCH-M01-01	HD FULL MODULE	3000mm
SPCH-M01-02	HD HALF MODULE	1500mm



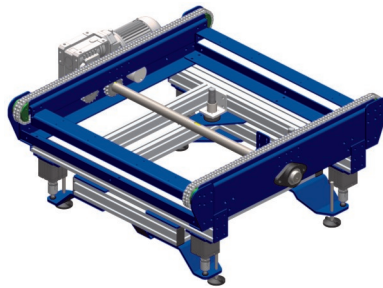
- Max. Load Rating: 1800 kg/ pallet
- 88.9mm Roller Diameter
- Max. Loading:
SPRH-M01-01 - 2 pallets per module
SPRH-M01-02 - 1 pallet per module
- Suitable for standard CHEP pallets (1165 x 1165 x 150 mm)
Custom pallet sizes and applications available

PALLET TRANSFER MODULES

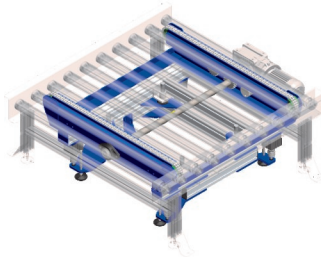
PALLET POP-UP 90 DEGREE TRANSFER MODULE



CHAIN CONVEYOR
VARIANT



ROLLER CONVEYOR
VARIANT



ROLLER CONVEYOR
VARIANT SHOWN

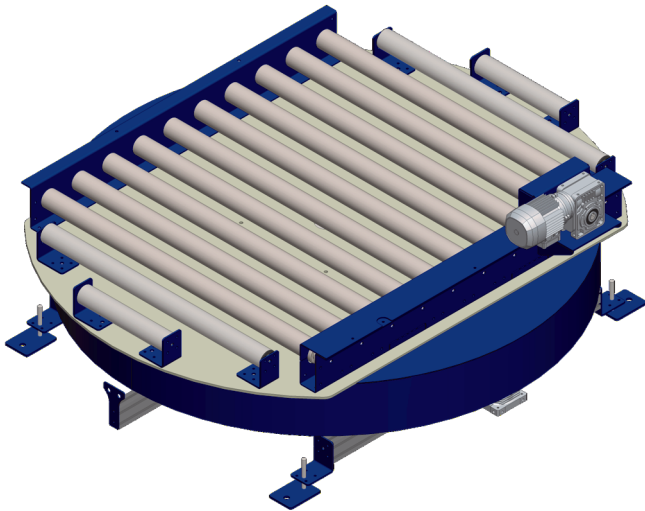
- Fits within standard conveyor module frames
- Pneumatic lift raises the transfer conveyor
- Multiple variants to allow incorporation with both chain and roller conveyor systems

ITEM NO.	TYPE
SPT-M01	POP-UP TRANSFER MODULE



- Max. Load Rating: 800 kg/ pallet
- Max. Loading: 1 pallet per module
- Combined compressed air and electric operation
- Minimum conveyor heights required for integration of this module
- Suitable for standard CHEP pallets (1165 x 1165 x 150 mm)
Custom pallet sizes and applications available

PALLET TURNTABLE MODULE



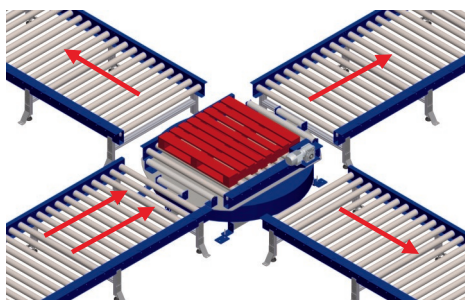
- Complete stand alone unit design- allows greater flexibility in system configurations
- Rotation limits: 90 degree and 180 degree variants available
- Integrated guide rails

ITEM NO.	TYPE
SPT-M02-01	ROLLER TURNTABLE MODULE
SPT-M02-02	CHAIN TURNTABLE MODULE



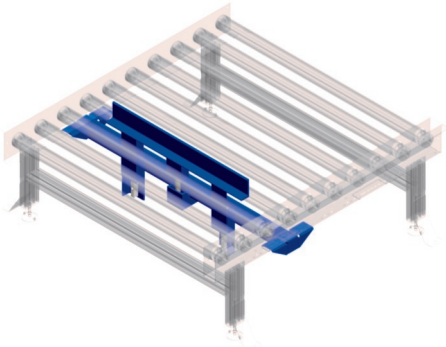
- Max. Load Rating: 1600/800 kg/ pallet
- Max Loading: 1 pallet per module
- Roller Variant- 76mm Roller Diameter
- Maximum module footprint diameter- 2100mm
- Sensor positions adjustable for 0°, ±90°, 180° and 270° rotational limits
- Minimum conveyor heights required for integration of this module
- Suitable for standard CHEP pallets (1165 x 1165 x 150 mm)
Custom pallet sizes and applications available

TURNTABLE CONFIGURATIONS



PALLET CONVEYOR ACCESSORIES

PALLET CONVEYOR POP-UP STOP



Pop-Up Stop to enable intermediate pallet positions on the conveyor line. Can also be used to datum pallets for palletising or other operations.

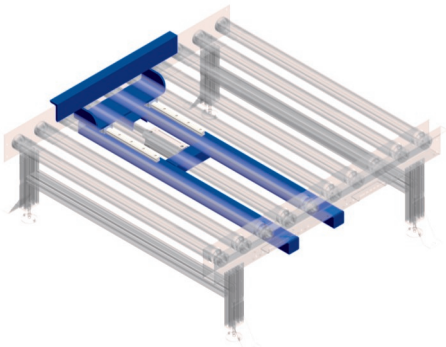
ITEM NO.
SPR-M02

TYPE
PALLET POP-UP STOP



- Max. Load Rating: 800 kg/ pallet
- Compressed air operation
- Heavy duty variants also avail-

PALLET SQUARING STATION



Squaring station positions the pallet against one side of the conveyor . Can also be used in combination with the pop-up stop to datum the pallet for palletising or other operations.

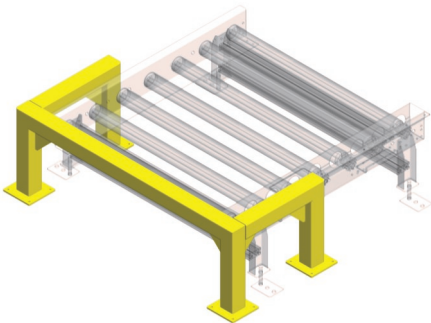
ITEM NO.
SPR-M05

TYPE
PALLET SQUARING STATION



- Max. Load Rating: 800 kg/ pallet
- Compressed air operation
- Heavy duty variants also avail-

PALLET CONVEYOR PROTECTIVE BOLLARD



Placed on the end of a conveyor line, bollards protect pallet handling equipment from forklifts and passing traffic.

NB: Should be placed at all manual loading and unloading zones of a pallet handling system.

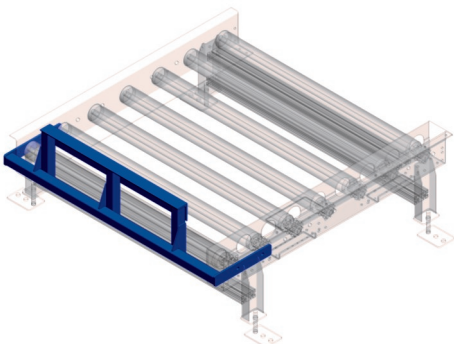
ITEM NO.
SPR-M06

TYPE
PALLET CONVEYOR BOLLARD



- Heavy duty variants also available

PALLET CONVEYOR END STOP



Fixed barrier to prevent pallets running off the end of the conveyor line or datum the pallet for palletising or other operations.

ITEM NO.
SPR-M01

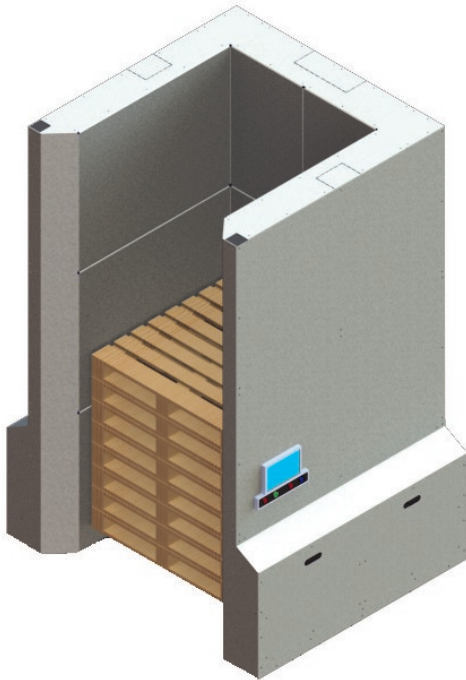
TYPE
PALLET CONVEYOR END STOP



- Max. Load Rating: 800 kg/ pallet
- Heavy duty variants also available

PALLET STACKER/DE-STACKER

PALLET STACKER/DE-STACKER



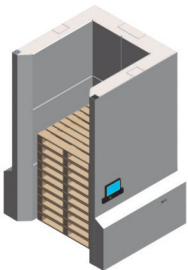
Pallet Stacker/De-stacker for accumulation or dispensing of empty pallets.

- Can be used as free-standing unit for stacking or de-stacking pallets during manual handling or hand palletising
- Can be placed over a conveyor line and incorporated in online operations
- Suitable for multiple pallet orientations and system configurations (see below)

ITEM NO.	TYPE
SPD-M01	PALLET STACKER/DE-STACKER

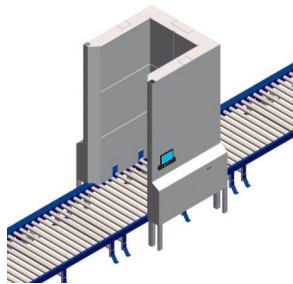
PALLET STACKER/DE-STACKER CONFIGURATIONS

FREE-STANDING FLOOR MOUNT
(MANUAL LOADING/UNLOADING)

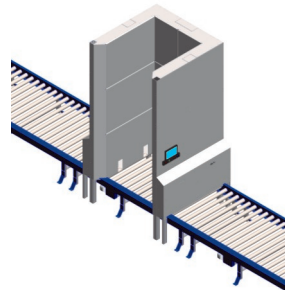


END LOADED PALLETS ONLY

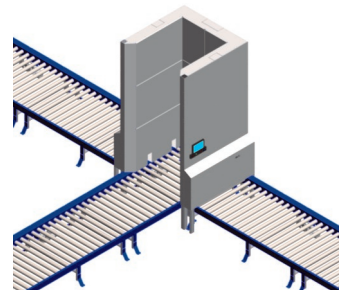
THROUGH CONVEYING



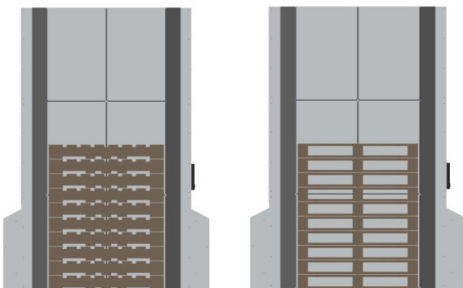
CROSS CONVEYING



PERPENDICULAR MULTI-DIRECTIONAL CONVEYING



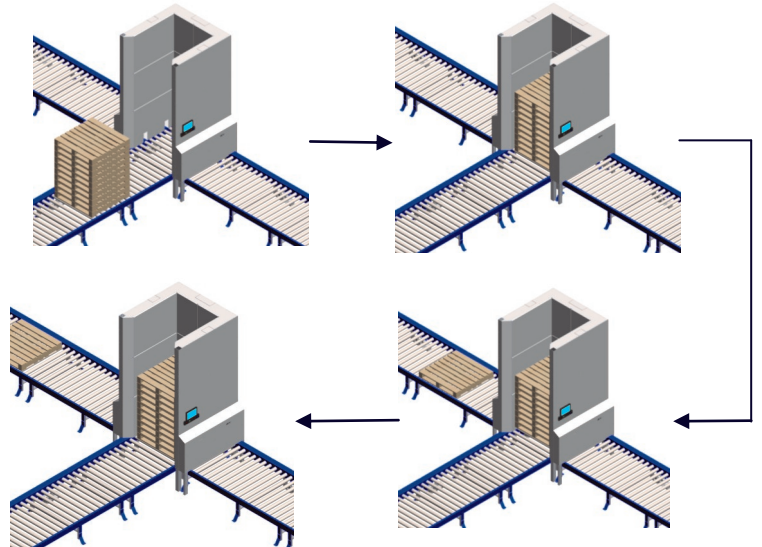
PALLET ORIENTATION



SIDE LOADED PALLETS

END LOADED PALLETS

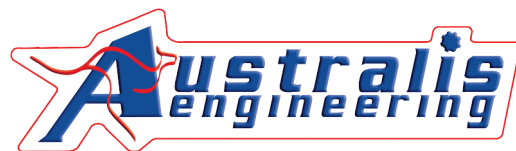
PALLET DE-STACKING OPERATION



- Max. Load Rating: 500 kg or 15 pallets
- Combined compressed air and electric operation
- Suitable for standard CHEP pallets (1165 x 1165 x 150 mm)
Custom pallet sizes and applications available



CONVEYORS
BUCKET ELEVATORS
PALLET HANDLING
PALLETISING
DEPALLETISING
AUTOMATION
ROBOTICS
ALUMINIUM PROFILE
WORKSTATIONS & BENCHES
LINEAR GUIDES
MACHINE GUARDS & FENCING
DESIGN CONSULTANCY



Web: www.australiseng.com.au
Email: sales@australiseng.com.au
Address: 25 Harley Crescent
Condell Park
NSW 2200
AUSTRALIA
Telephone: +61 2 9707 5888
Fax: +61 2 9708 3564