



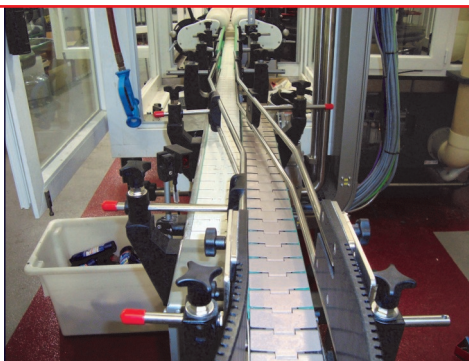
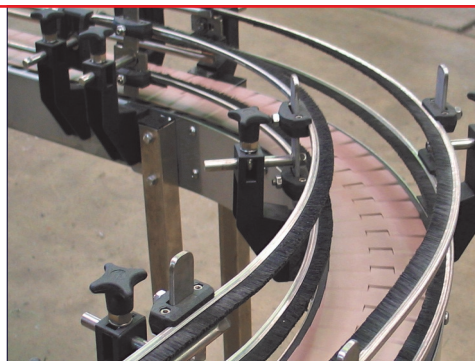
## LowPro Series



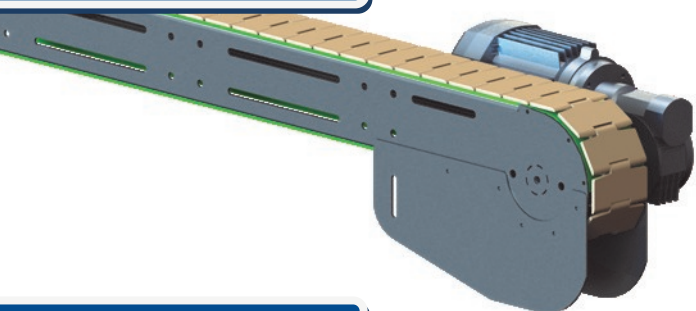
### TABLE TOP CHAIN & MODULAR BELT CONVEYORS

Conveyors - Pallet Handling - Aluminium Profile  
Machine Guarding - Special Purpose Machinery

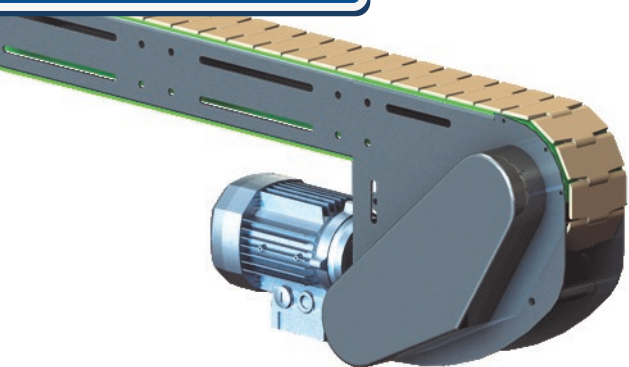
# LOWPRO SL SERIES—TABLETOP CHAIN CONVEYORS



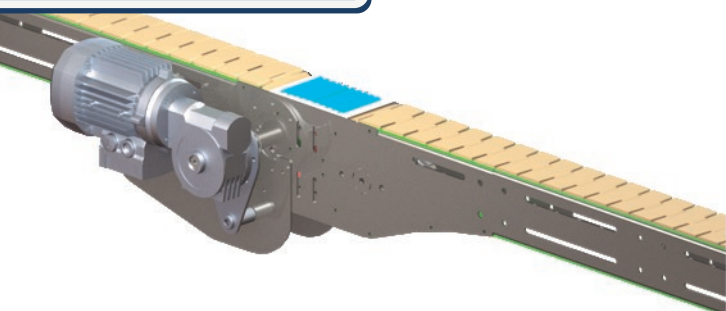
Standard Head Drive



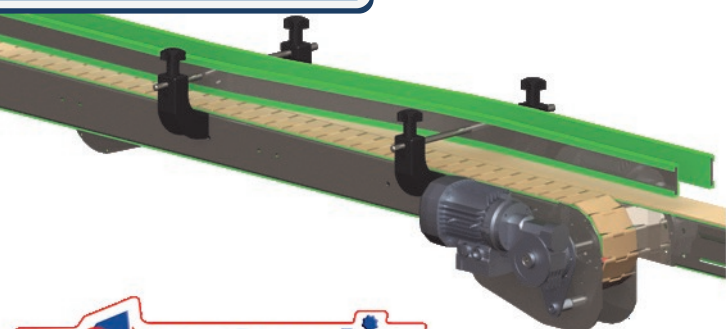
Under-mount Drive



End-to-End Drive



Cross Over Transfer



The **LowPro SL** conveyor system from **Australis Engineering** is available in both Stainless steel and Aluminium Profile body modules combined with common stainless steel drive modules.

**LowPro SL** is fitted with **standard** tabletop slat chain, capable of conveying a wide range of product types. By using standard tabletop chain, you are not locked into expensive proprietary chains! This means real and ongoing operational cost savings

**LowPro SL** conveyors are compact, simple modular units that are easily configurable to suit many applications. This means a **LowPro SL** conveyor system can also expand as your business grows or to meet new product line requirements.

**LowPro SL** conveyors are suitable for products up to 330mm wide and can be used in many varied applications from standard product transfer, through to wash down or clean room environments.

## **LowPro SL** conveyors are perfect for:

- Medical/Pharmaceutical industries
- Food and Beverage production
- Canning or Bottling operations
- Packaging and fragile items
- Assembly and Testing lines
- Integration into full turnkey solutions

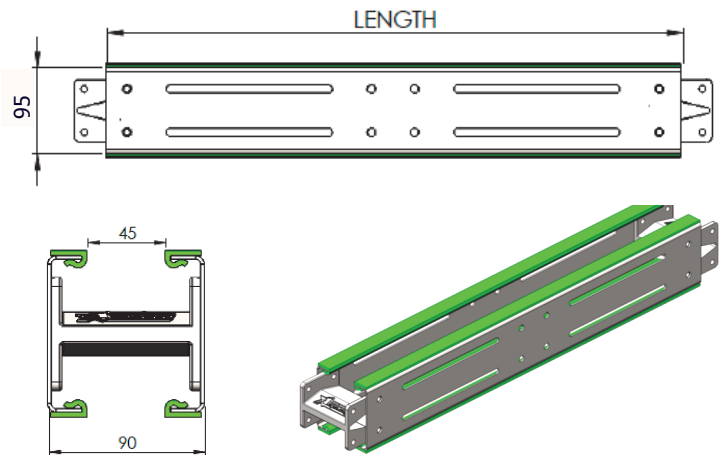
## Perfect for:



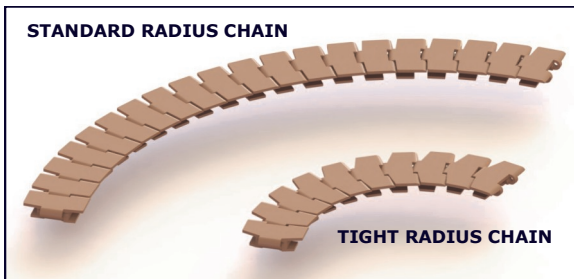
The **LowPro** standard modules are compact, simple and easily configurable to suit any light duty system or application.

A **LowPro SL** system is suitable for conveying a wide range of products.

The **LowPro SL** range can be used in applications from simple product transfer conveyors through to full turnkey solutions incorporating packing, labelling and onto palletising.



### STANDARD TABLE TOP CHAINS



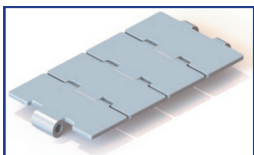
#### AVAILABLE WIDTHS

- 3.25in
- 4.5in
- 7.5in

A range of chains can be used in a standard LowPro system configuration. Chains can be adapted to suit specific product or system requirements.

Extended range of chains available on enquiry.

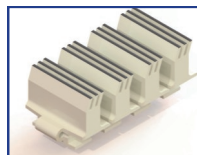
**STEEL SLAT CHAIN**



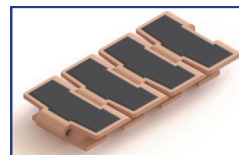
**PLASTIC SLAT CHAIN**



**GRIPPER SLAT CHAIN**



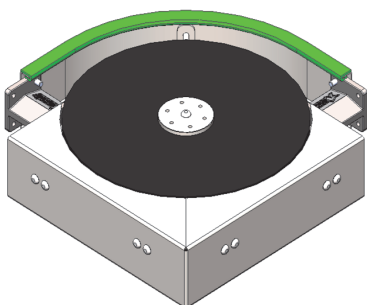
**FRICTION TOP SLAT CHAIN**



**TIGHT RADIUS CHAIN**



### CURVE OPTIONS

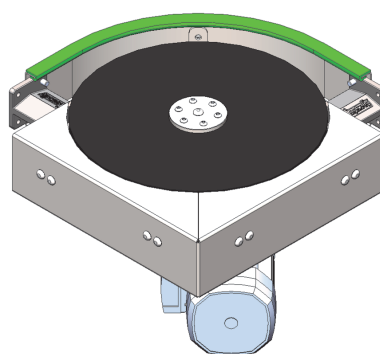


#### Tight Radius Curve

Ideal for tight areas or where higher loads are experienced.

The rolling turn table reduces chain friction through the curve.

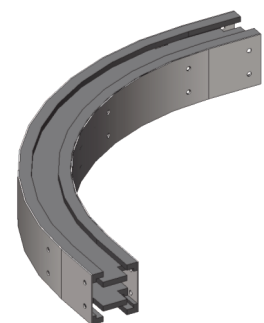
Available as 90° and 180° curves and custom angles on request.



#### Driven Turntable Curve

Tight radius (200mm) driven curve, ideal for carousel conveyors or alpine conveyors

Available as 90° and 180° curves and custom angles on request.



#### Standard Radius Curve

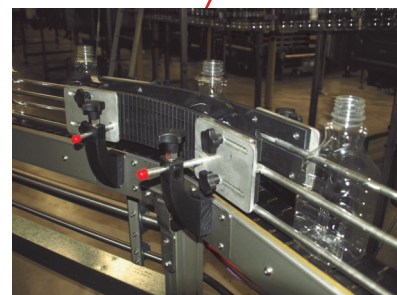
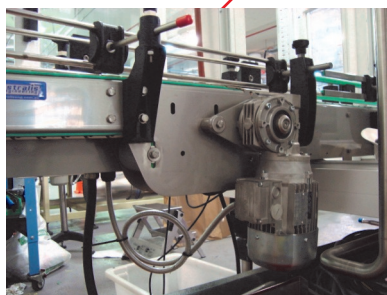
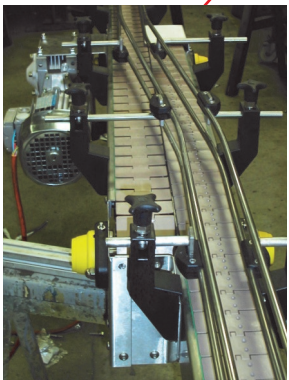
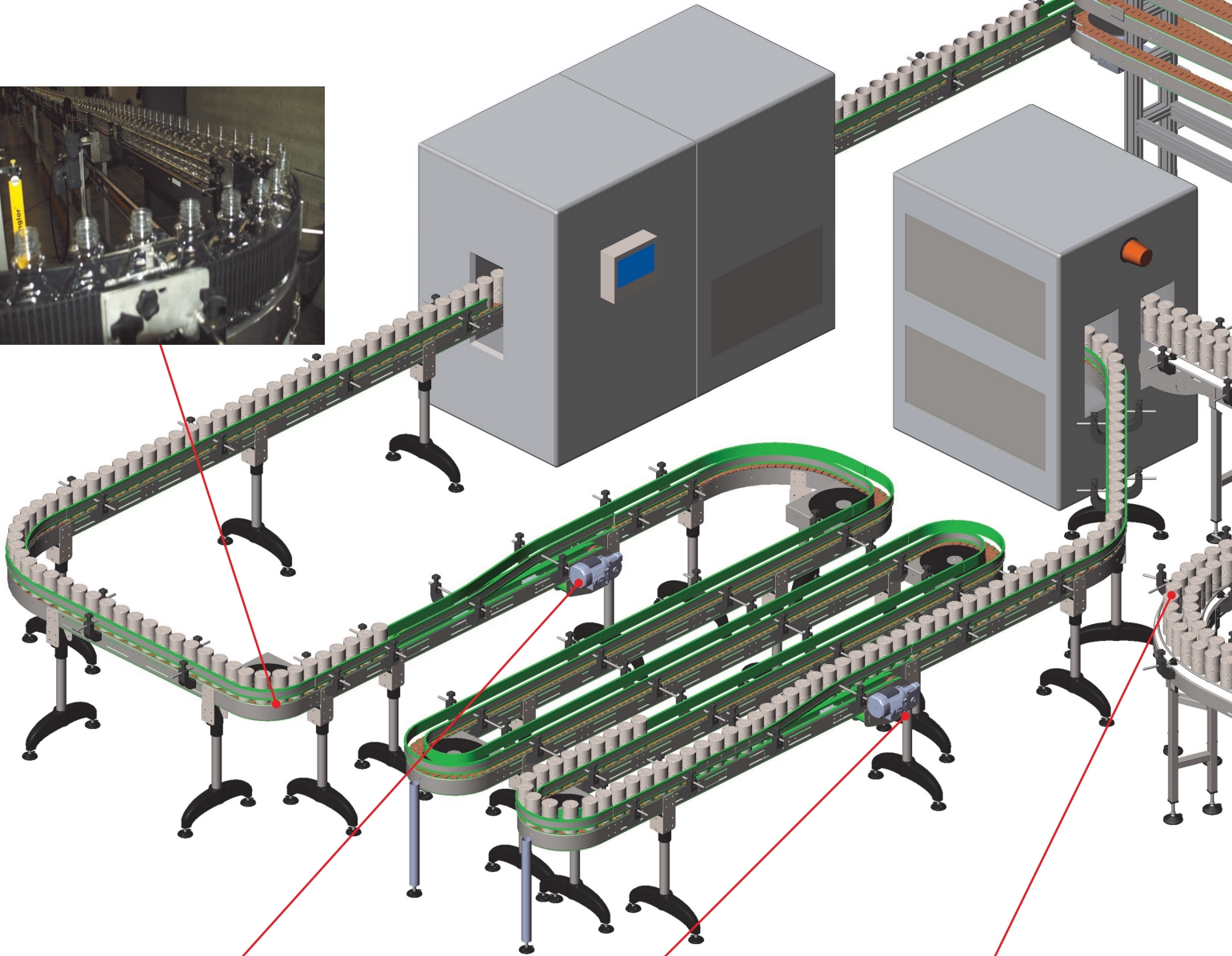
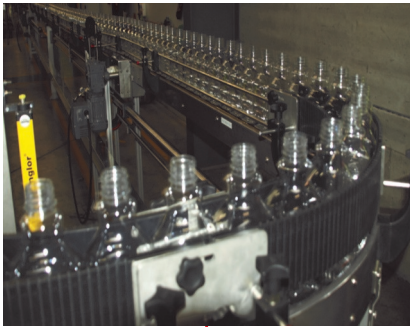
500mm radius to suit standard chain. Ideal for basic conveyors which require a bend.

Available in 30°, 45°, 60°, 90° and custom angles on request.

# LOWPRO SERIES TURNKEY SYSTEMS

A **LowPro** system is suitable for conveying a wide range of products including cans, bottles, boxes and cartons.

LowPro can be implemented to suit a range of applications; anytime your FMCG product needs to be moved around your plant the LowPro System can do it quickly and efficiently!



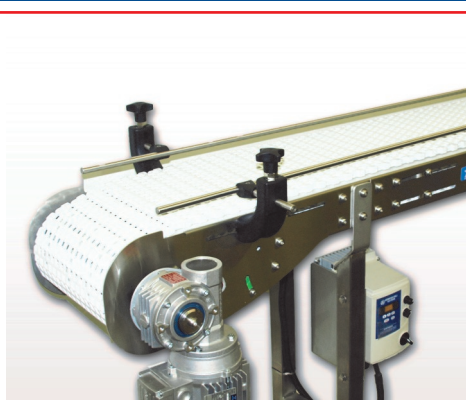
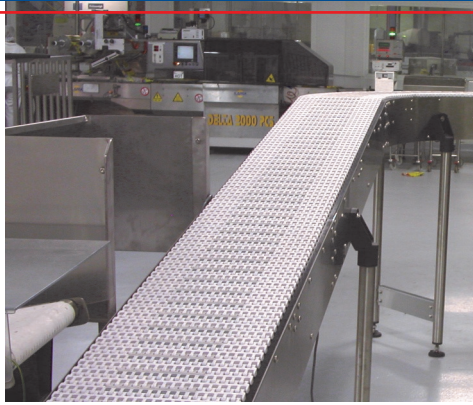
**Australis Engineering's Promise:**

**"We work in partnership with our clients to understand and develop systems specifically to meet your needs, providing the most efficient and cost effective solution - the first time."**

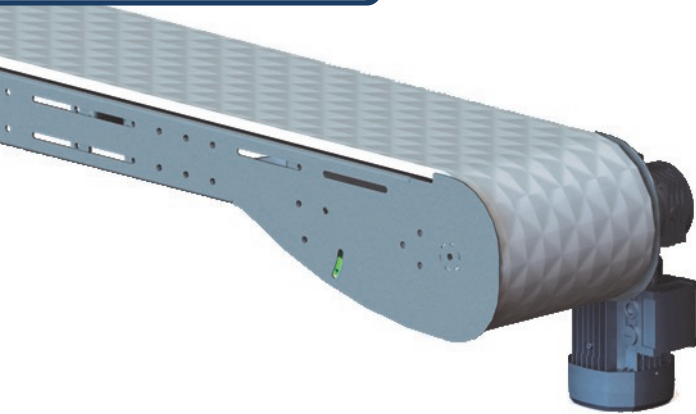
**- Phillip Gustafson, CEO**



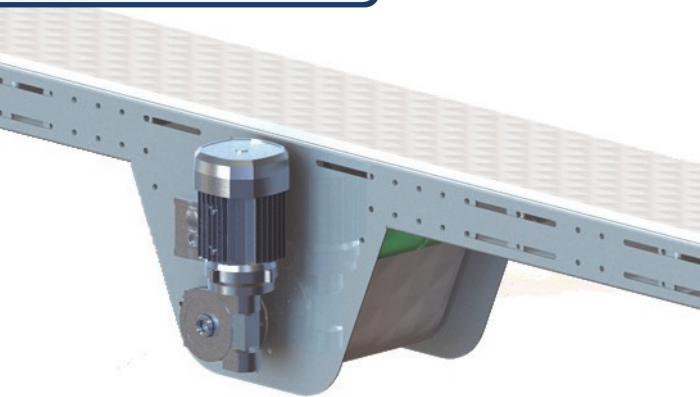
# LOWPRO MB—MODULAR BELT CONVEYORS



## Standard Head Drive



## Centre Mount Drive



## Nose Roller Drive



## **LowPro MB Modular Belt Conveyor System – modular, sleek, sophisticated**

Ideally suited to food and medical grade applications, **LowPro MB Series** has been engineered to be a low profile, sleek and sophisticated conveying system.

The **LowPro MB** utilizes the same 95mm deep body modules as our **LowPro SL** series so the conveyors can be mixed and matched and offer a consistent design.

**LowPro MB** Modular Belt Conveyor System is available in belt widths from 255mm up to 765mm and are suitable for a wide range of products.

Modular belts are ideal for conveying where curves, inclines, declines or a combination of these is needed.

### **Technical details:**

- **Standard Belt widths:**  
255mm, 340mm, 425mm, 510mm, 595mm, 680mm, 765mm
- **Custom Widths:**  
Available on request
- **Guide rails options:**  
Flat bar with C Cap, Twin Round bar, Ezi-Change Infinity Rails
- **Belt types:**  
25.4mm (1") pitch Straight run belt  
31.75mm (1.25") Standard & Tight radius belt
- **Legs & Supports**  
Stainless Steel or Aluminium Profile Legs

## SOME POSSIBLE CONFIGURATIONS



**CONVEYORS**  
**BUCKET ELEVATORS**  
**PALLET HANDLING**  
**PALLETISING**  
**DEPALLETISING**  
**AUTOMATION**  
**ROBOTICS**  
**ALUMINIUM PROFILE**  
**CLEAN ROOMS**  
**INDUSTRIAL WORKSTATIONS / BENCHES**  
**MACHINE SAFETY**  
**MACHINE GUARDS & FENCING**  
**LINEAR GUIDES**  
**DESIGN CONSULTANCY**  
**DEVELOPMENT & PROTOTYPING**  
**SERVICING & MAINTENANCE**



**Web:** [www.australiseng.com.au](http://www.australiseng.com.au)  
**Email:** [enquiries@australiseng.com.au](mailto:enquiries@australiseng.com.au)  
**Address:** 25 Harley Crescent  
Condell Park  
NSW 2200  
AUSTRALIA  
**Telephone:** +61 2 9707 5888 (Main)  
+61 2 9707 5866 (Sales)  
+61 2 9707 5867 (Sales)  
+61 2 9707 5868 (Sales)  
**Fax:** +61 2 9708 3564