



Industrial Bimetal Thermometers

Floyd Australia's Bimetal Thermometers are reliable and accurate temperature sensors requiring no electricity or wiring. Back Connect Thermometers are ideal for local, eye-level temperature readings in most process applications. They can be recalibrated with a turn of the calibration screw on the back of the dial. A variety of options are available for your specific process needs.



Bimetal thermometers are made from stainless steel and other corrosion resistant material, so they withstand rust/chemical attack and tough industrial use. The stem, plug and connection of bimetallic thermometers are fused together and sealed to the head making them hermetically sealed. Temperature ranges from minus 50 up to 550 deg C, stem lengths from 63mm up to 2 metres.

Applications

- Offshore Oil Rigs
- Chemical and Petrochemical Plants
- Water and Wastewater Pressure Control
- Pulp and Paper
- Refineries
- Power
- General Industrial
- HVAC
- Equipment Skids
- Pharmaceutical / Biotech
- Food and Beverage



Adjustable Angle
Bimetal Thermometer



Back Connect
Bimetal Thermometer



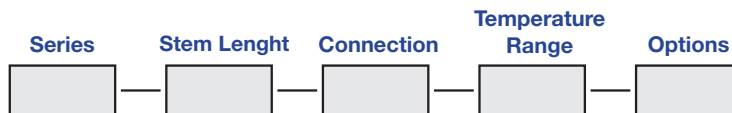
Bottom Connect
Bimetal Thermometer

Technical Data

Accuracy	± 1% Full Scale (ASME B40.3)
Dial Size	3", 4" or 5"
Dial Material	Black marks on satin matte aluminum
Stem Length	2" to 80"
Stem Diameter	1/4" (Standard), 3/8" or 5/16"
Head, Bezel, Mounting, Bushing, Stems	300 Series SS, 316SS (Optional)
Operating Conditions	Head temperature should not exceed 200°F (150°F if silicone filled). Stem should not be exposed to continuous temperatures exceeding 50% overrange or 800°F (550°F if silicone filled).
Environmental Protection	IP67, NEMA 6 Rated (Hermetically sealed per ASME B40.3)
Lens	Glass (Standard), Acrylic, Polycarbonate, Laminated Safety Glass or Tempered Glass
Immersion	Minimum 2" in liquid, and 4" in gas for most ranges. Certain ranges require up to 4" in liquids & 5" in gas.
Mounting Connection	1/2" NPT (Standard), 1/4" NPT, 3/4" NPT, Plain Hex Bushing, or 1/2" BSPT

Product Selection Data

Choose your product specifications and options below to configure your product



Series		Stem Length		Connection		Temp. Range		Options	
AA	3" Dial Rear Stem	025	2.5"	N	1/2" NPT	C23	-40°C to 70°C	-3H	316 SS Head and Bezel
CC	4" Dial Rear Stem	040	4"	B	1/2" BSP	C55	0°C to 50°C*	-PS	Pointed Stem
BB	5" Dial Rear Stem	060	6"	S	Special	C43	0°C to 100°C	-S3	3/8" diameter Stem
XR	3" Dial Bottom Stem	090	9"			C47	-20°C to 120°C	-SF	Silicone Filled
LL	3" Dial Adjustable Angle	120	12"			C53	-10°C to 110°C	-SS	316 Stainless Stem
MM	4" Dial Adjustable Angle	150	15"			C59	0°C to 150°C	-CL	Custom Logo Dial
JJ	5" Dial Adjustable Angle	180	18"			C65	0°C to -200°C	-CB	Color Bands
		240	24"			C67	0°C to 250°C	-PI	Color Pie
						C69	0°C to 300°C		
						C73	0°C to 400°C		

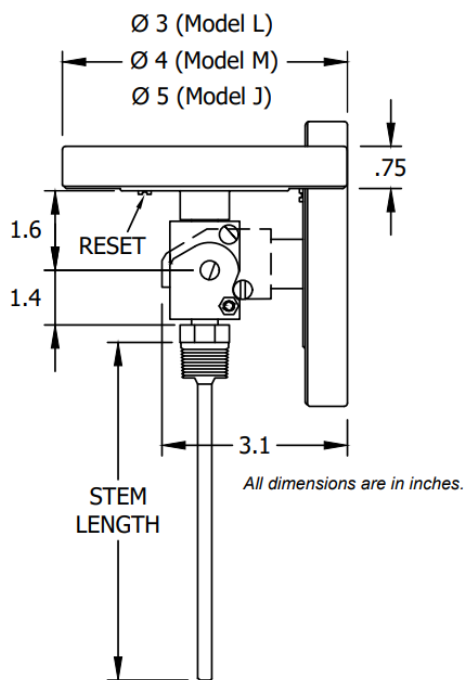


Series	Available Dial Sizes	Description
LL, MM, JJ	3", 4", 5"	Adjustable Angle Bimetal Thermometer
XR, YY, VR,	3", 4", 5"	Bottom Connect Bimetal Thermometer
AA, CC, BB,	3", 4", 5"	Back Connect Bimetal Thermometer

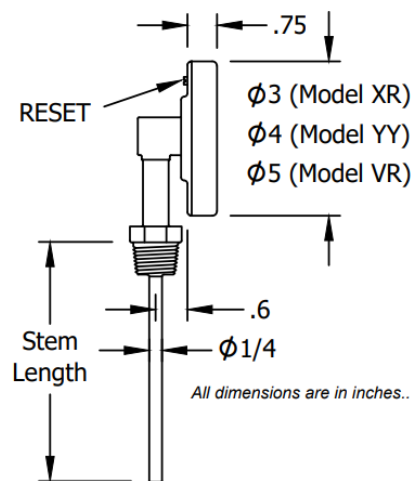
Looking for other specifications?

As the leader in pressure and temperature instruments in Australia, we envision ourselves not only as a supplier of top notch measurement devices, but also dependable partner that can create individually designed solutions together with you. On the basis of your specific applications, in close cooperation with you, we are ready to develop products that are applicable for you. Enquire today to discuss your customized gauge requirements with one of our friendly Customer Care team members.

Adjustable Angle Bimetal Thermometer



Bottom Connect Bimetal Thermometer



Back Connect Bimetal Thermometer

