



19

LOCKING, HINGING & SEALING SOLUTIONS

PROVIDING INNOVATIVE SOLUTIONS FOR OUR CLIENTS



HEAD OFFICE
13 TREVI CRESCENT,
TULLAMARINE, VIC 3043
TEL +61-3-8318 4900
EMAIL SALES@SELECTLOK.COM.AU

SELECTLOK®



CORPORATE STATEMENT FROM DAVID STUCKEY

Selectrix Industries started as a small family business in Preston back in 1978. Our philosophy is very employee biased, which has resulted in a very close knit Selectrix community of loyal, talented, and hard working members. Many employees have been with the company for periods of 10 to 20 years, and then there are sons/daughters who have also started, bringing another generation with new fresh ideas.

We have two main specialties, the Selectlok brand of industrial locks, latches, hinges, and sealing rubber used in any sheetmetal cabinets. Applications can include electrical switchboards, IT server racks, telecommunications cabinets, trucks, service vehicles, buses, trains, trams, and any other application requiring a metal cabinet to be locked. Then there is the high technology arm of the Selectrix Group, called Selectrail. Selectrail specialises in products to service the Railway Signalling industry.

The Selectlok Division is due to release many new products that have been in development. For instance, one example being electronic locking solutions that do not require external electric power, nor do they require batteries. The locking

barrel contains a mini generator that is powered up after the key is inserted. Hence solving the problem of either getting mains power to a lock barrel/padlock and/or solving the problem of batteries constantly going flat.

The Selectrix Group has been the recipient of the most innovative product award from FEN/AIEE for it's swing handle innovation solution for safely locking outside electrical cabinets and ensuring against both water ingress and vandalism, the traditional headache of municipalities and utilities in control of these major assets.

We are proud of the long term relationships it has with our Global Strategic Partners. Together we offer the widest range of products and services which are married to a leading edge technology base.

David Stuckey
Managing Director

19

CONTENTS

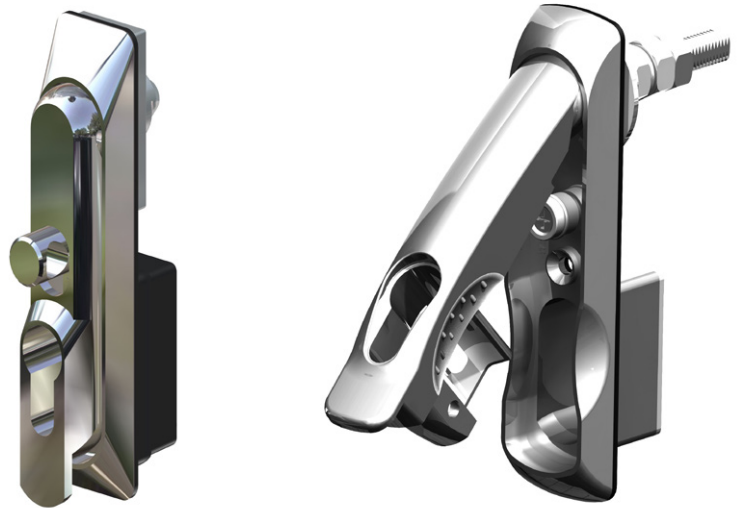
Quarter Turn Latches	1
T & L Handles	2
Cams, Catches And Rods	3
D Pull Handles	4
Swing Handles	5
Flush Locking Solutions	6
Folding T & Paddle Handles	7
Push Button Compression Handles	8
Cam Locks	9
Rubber Sealing	10
Hinges	11
Cover Stays & Accessories	12
Transport Hardware	13
Adjustable Over Centre Fasteners	14
Gas Struts	15
Ball Bearing Slides	16
Earth / Neutral Bars / Insulators	20
Stainless Steel Products	21
Electronic Locking Solutions	22
RV / Caravan	23
Composite Panel	24
Index	

BRIEF INTRODUCTION

WHO ARE OUR CLIENTS?

We service the needs of a wide range of industry and Government sectors:

- Sheet Metal Manufacturers
- Electrical
- Telecommunications
- Hardware
- Engineering Consultants
- Railways
- Utilities
- Defence
- Truck Body Builders
- Retail Outlets



WHAT DO WE OFFER OUR CLIENTS?

We want to work with our Clients in long term business arrangements that offer both parties unique relationships which promote mutual growth and prosperity. We believe that we can offer our clients quality, reliable, innovative products and solutions to meet their needs.

SERVICES

Our range of additional services include:

- Reliable & Accurate Supply
- Practical Design Solutions
- Quality Systems & Controls
- CAD Facilities
- Manufacturing Services
- High Customer Service Standards
- Research and Development

GUARANTEE

That our Customer Service will be of the Highest Level and we will strive to achieve customer satisfaction regardless of Order or Company Size.

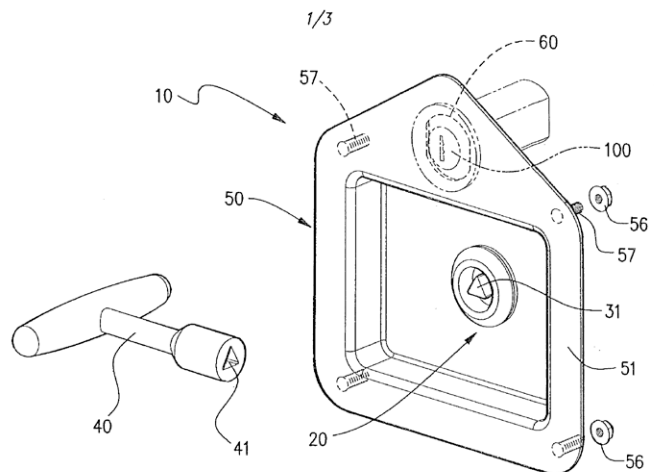


FIG. 1

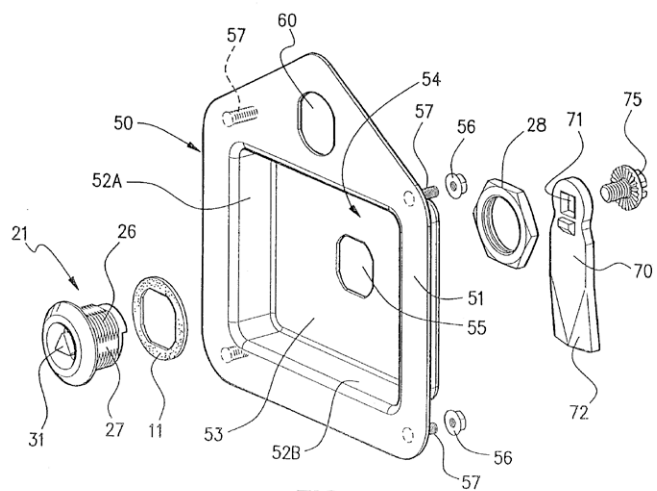


FIG. 2



SINGLE POINT LOCKING / 3 POINT LOCKING SYSTEMS

- Quarter turn Latches
- T/L Handles
- Wing Knobs
- Padlockable Latches
- 3 Point Locking
- Quarter Turns - vibration proof
- Slam Cams
- Lockable Rods with or without rollers
- Pressure tight system for explosion proof cabinets
- Swing Handles - die cast or polyamide
- Emergency Internal Handle
- Flush Locks



HINGES

- Concealed Hinges
- Hinges for flush doors
- Lift off Hinges
- Hinges for prominent doors
- Brass Pintle Hinges

RUBBER SEALING

- Rubber sealing - EPDM, Perbunan, or natural
- Self gripping rubber sealing profiles
- Window rubber
- Truck Door Rubber



STAINLESS STEEL

- Stainless Steel Quarter Turns
- Stainless Steel 3 point Locking
- Stainless Steel T/L Handles
- Stainless Steel Hinges
- Stainless Steel Swing Handles
- Stainless Steel Gas Struts

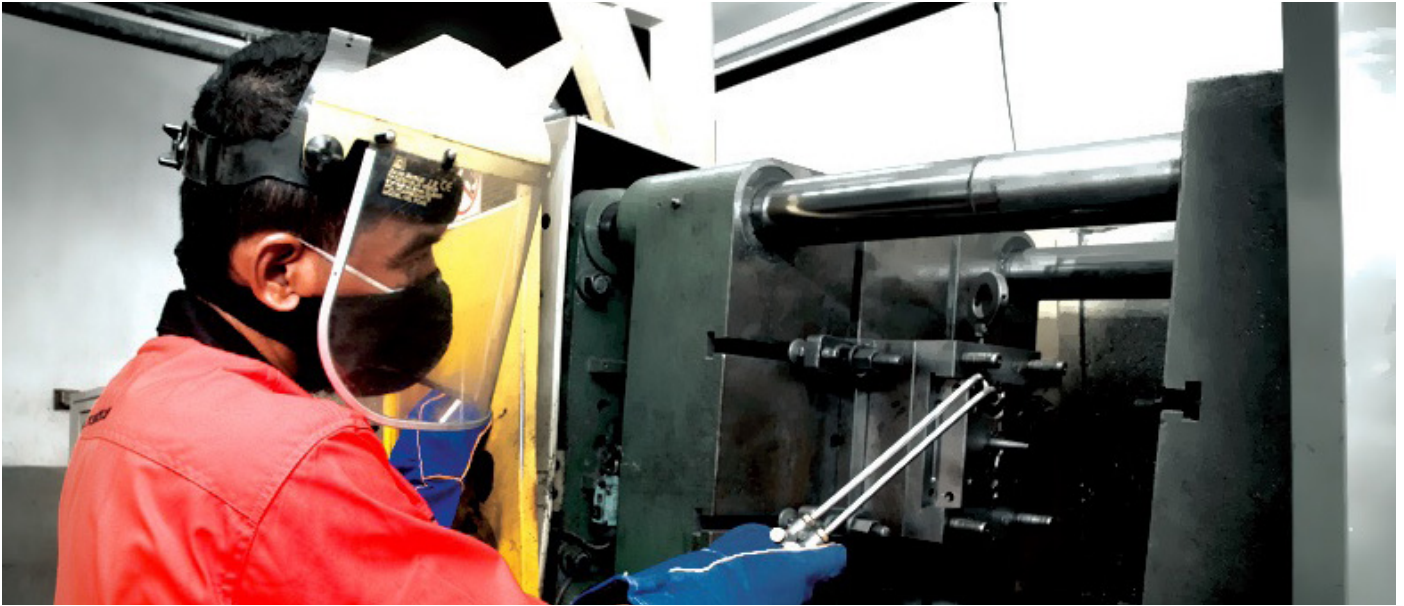


TRUCK SOLUTIONS

- Folding T Handles
- Pop Out T Handles
- Slam Catches
- Spring Bolts
- Door Holders
- Adjustable Over Centre Fasteners
- Compression Handles
- Truck Door Rubber
- Lashing Rings
- Anti Luce
- Rubber Bonnet Catches

OUR GLOBAL NETWORK OF STRATEGIC PARTNERS

SELECTLOK® is proud of the long term relationships it has with our Global Strategic Partners. Together we offer the widest range of products and services which are married to a leading edge technology base.



OUR PROMISE OF COMMITMENT!

- We will take the time to listen and understand our Customers needs
- We will work with our Customers to find the right solution for their technical and environmental needs
- We can design the right solution for our Customers
- We will enter into partnership with our Customers to implement the correct solution to meet their needs

1



SECTION ONE

[1-1 OVERVIEW](#)

[1-2 DRIVE OPTIONS](#)

[1-3 QUARTER TURN LATCH](#)

[1-4 SPRING LOADED CAM QUARTER TURN LATCH](#)

[1-5 KEY LOCKABLE QUARTER TURN](#)

[1-6 SEALABLE QUARTER TURN](#)

[1-7 COMPRESSION QUARTER TURN](#)

[1-8 WING KNOB QUARTER TURN](#)

[1-9 PADLOCKABLE WING KNOB](#)

[1-10 WING HANDLE](#)

[1-11 TEAR DROP QUARTER TURN](#)

[1-12 KNOB-ON LOCK](#)

[1-13 QUARTER TURN KEYS](#)

[1-14 CAMS](#)

[1-15 THUMB SCREWS](#)

[1-15 FINGER PULL](#)

OVERVIEW

HUNDREDS OF SOLUTIONS FOR ONE HOLE

With the **SELECTLOK®** range of modular quarter turns, the possibilities are endless. Mix and match housings, inserts and cams to create the ideal solution for your application. But if the choice is too great, just choose one of our standard configurations. We're sure there is one to suit.

FEATURES

- IP65 rated for weather-proof applications
- Reduced fixing time
- Fully assembled
- Multiple drive and cam options available
- Available in stainless steel

Zinc die cast/chrome plated

Zinc die cast/black EDP coated



Polyamide



Stainless steel



DRIVE OPTIONS

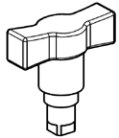
DRIVE OPTIONS FOR ALL APPLICATIONS

Choose from a variety of drive options and finishes to ensure that your application is suitably secured.

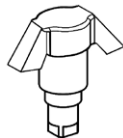
OPTIONS AVAILABLE

- Hand operated wing knobs, T handles and L handles
- Tool operated inserts for added security
- Tool operated with captive key
- Key lockable for higher security applications

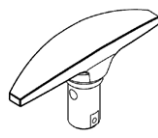
DRIVE OPTIONS



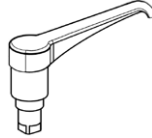
Wing knob



Wing handle



T handle



L handle



2x4 slotted



3mm double bit



5mm double bit



7mm square



7mm square/
slotted



8mm square



8mm square/
slotted



7mm triangle



8mm triangle



castle



key lockable

QUARTER TURN LATCH



FEATURES:

- IP65 rated
- Reduced fixing time
- Fully assembled
- Multiple drive options available (see table)

DIMENSIONS:

Housing Length = 18mm
Escutcheon = 32mm

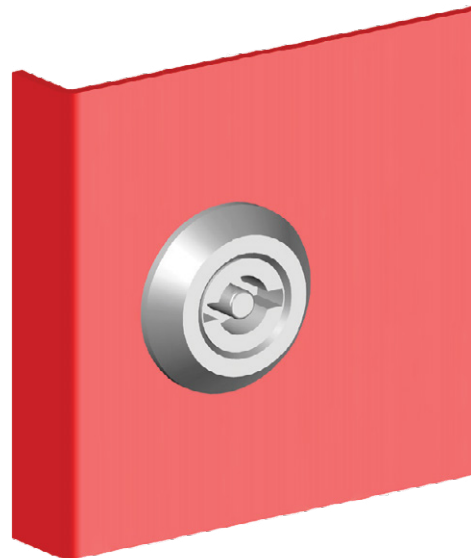
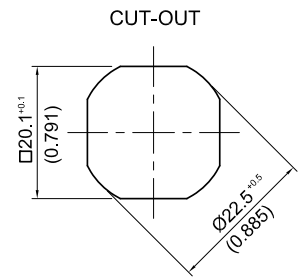
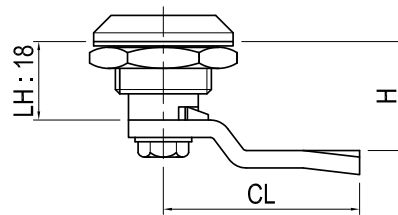
MATERIAL & FINISH:

Housing Zinc die
Insert Zinc die
Finish Chrome

CAM DIMENSIONS:

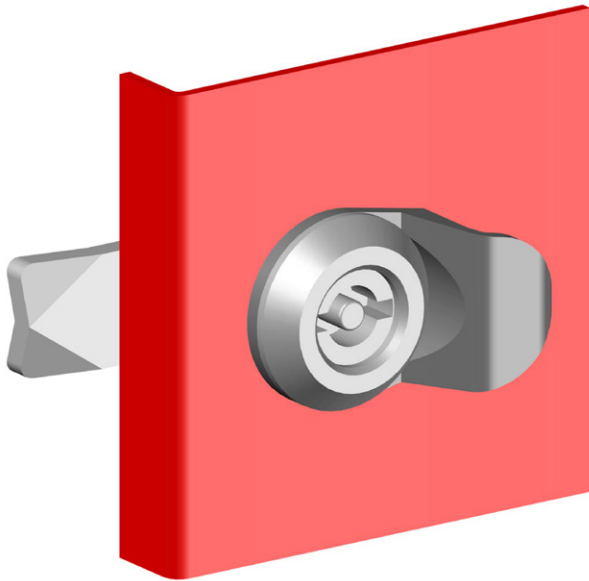
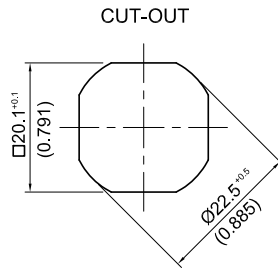
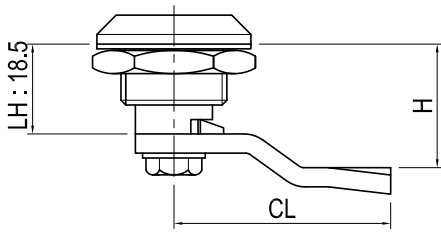
Cam ordered separately
Refer to [page 1-14](#) when ordering

Finger pull polyamide to be ordered separately (Part No. [PI5539-07](#))



Convert to compression style with [PI5124](#) (page 2-14)

DRIVE STYLE	PART NUMBER
7 mm Square	QIS118-7-32
8 mm Square	QIS118-8-32
7 mm Triangle	QIT118-7-32
8 mm Triangle	QIT118-8-32
5mm Double bit	QID118-5-32
Screwdriver slot (2x4)	QIG118-2x4-32



SPRING LOADED CAM QUARTER TURN LATCH

FEATURES:

- IP65 rated
- Reduced fixing time
- Fully assembled
- Multiple drive options available (see table)
- Anti vibration
- Spring loaded CAM provides vibration resistance

DIMENSIONS:

Housing Length = 18.5mm
Escutcheon = 32mm

MATERIAL & FINISH:

Housing Zinc die
Insert Zinc die
Finish Chrome

CAM DIMENSIONS:

Cam ordered separately
Refer to [page 1-14](#) when ordering

Finger pull polyamide to be ordered separately (Part No. [PI5539-07](#))

Convert to compression style with [PI5124 \(page 2-14\)](#)

DRIVE STYLE	PART NUMBER
7 mm Square	SQ118-7-32
8 mm Square	SQ118-8-32
8 mm Square with slot	SQ118-8S-32
7 mm Triangle	TL118-7-32
8 mm Triangle	TL118-8-32
3mm Double bit	CL118-3-32
5mm Double bit	CL118-5-32
Screwdriver slot (2x4)	SL118-32



KEYLOCKABLE QUARTER TURN

FEATURES:

- Reduced installation time
- Fully assembled
- Multiple key options available (see table)

DIMENSIONS:

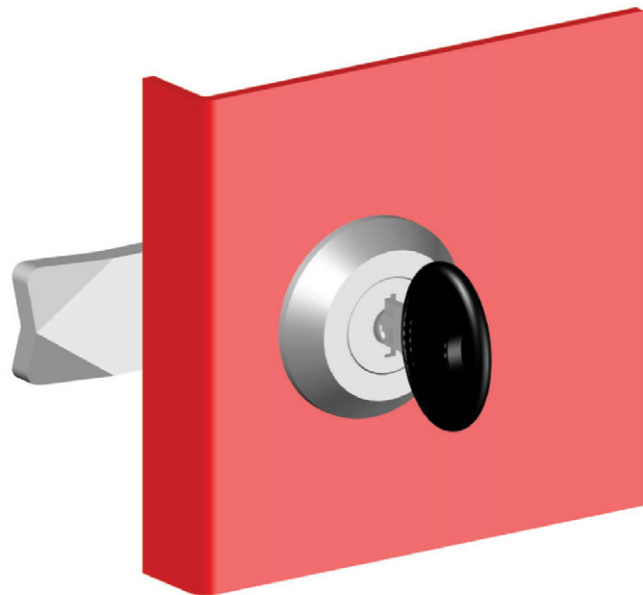
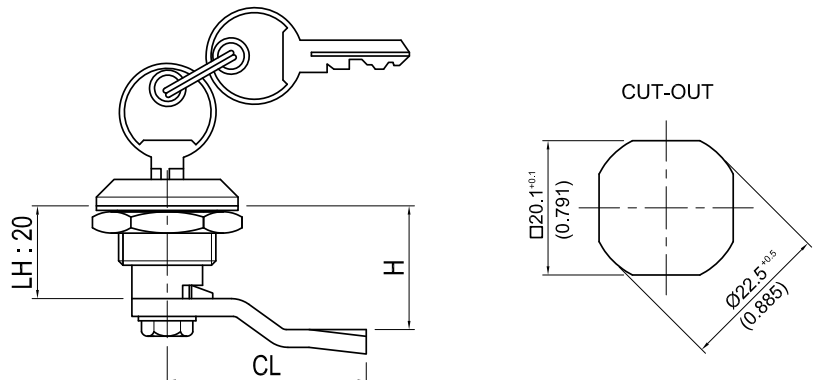
Housing Length = 20mm
Escutcheon = 32mm

MATERIAL & FINISH:

Housing Zinc die, Chrome plated
Insert Zinc die, Chrome plated
Cam Mild steel, Zinc plated

CAM DIMENSIONS:

Cam ordered separately
Refer to [page 1-14](#) when ordering

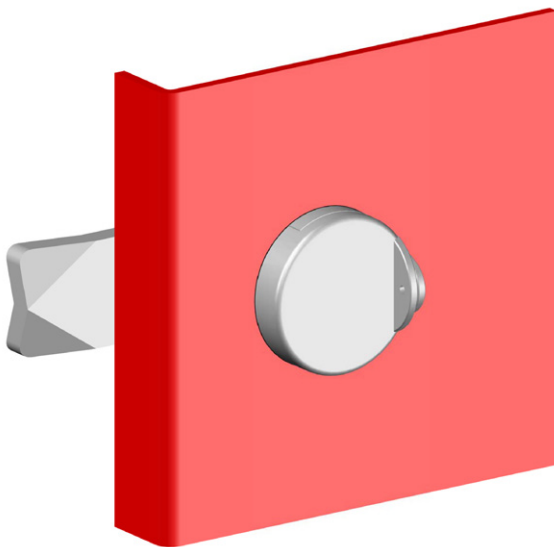
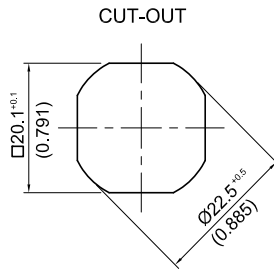
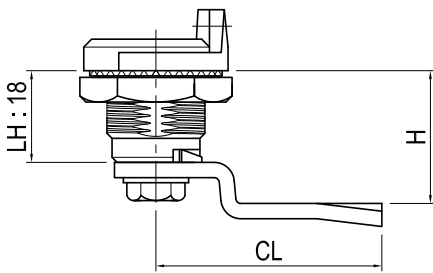


Convert to compression style with [PI5124 \(page 2-14\)](#)

KEY CODE	PART NUMBER
92268	M063-1-1-92268-00-1
1333	M063-1-1-05-00-1
CL001	M063-1-1-CL001-00-1



SEALABLE QUARTER TURN



FEATURES:

- IP65 rated
- Reduced installation time
- Fully assembled
- Multiple key options available (see table)

DIMENSIONS:

Housing Length = 18mm
Escutcheon = 29mm

MATERIAL & FINISH:

Housing Zinc die, Chrome plated
Insert Zinc die, Chrome plated
Cam Mild steel, Zinc plated

CAM DIMENSIONS:

Cam ordered separately
Refer to [page 1-14](#) when ordering



Convert to compression style with [PI5124 \(page 2-14\)](#)

DRIVE STYLE	PART NUMBER
8mm Square	MS705-3A-4
8mm Square with slot	MS705-3A-4A
Screwdriver slot (2x4)	MS705-3A-8

COMPRESSION QUARTER TURN



FEATURES:

- IP65 rated
- Reduced installation time
- Fully assembled
- 7mm Compression action on closing

DIMENSIONS:

Housing Length = 31mm
Escutcheon = 28mm

MATERIAL & FINISH:

Housing Zinc die, black powder coated
Insert Zinc die, black powder coated
Cam Mild steel, Zinc plated

CAM DIMENSIONS:

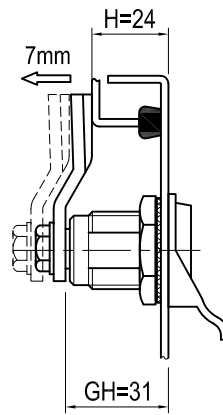
Included cams:

MS816-1 H = 24mm Length = 45mm

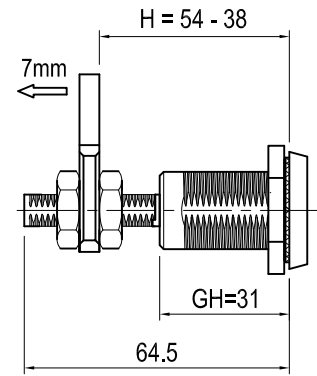
MS816-1A Adjustable H dimension
Length = 33mm

XCAM variation available on request
Refer to [page 1-14](#) when ordering

Finger pull polyamide to be ordered separately ([Part No. PI5339-07](#))

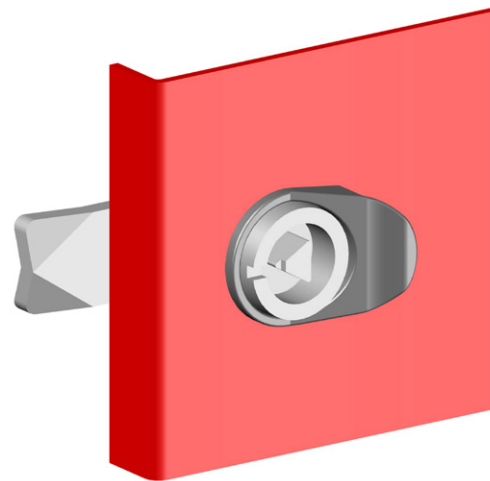
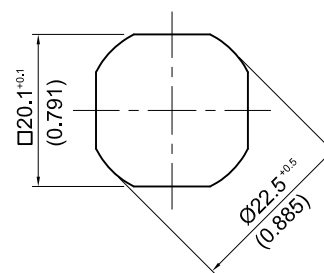


MS816-1



MS816-1A

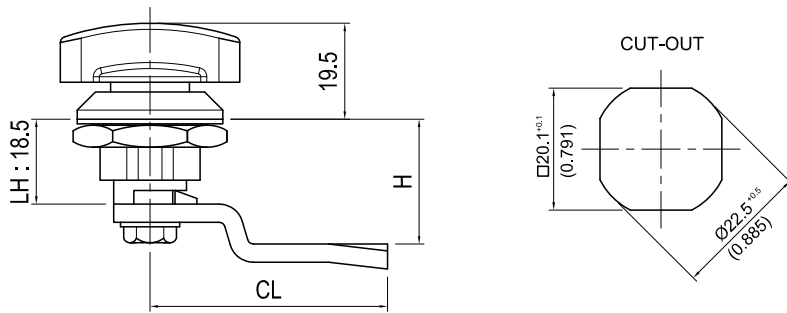
CUT-OUT



DRIVE STYLE	STANDARD	ADJUSTABLE
8mm Square	MS816-1-5	MS816-1A-5



WING KNOB QUARTER TURN



FEATURES:

- IP65 rated
- Reduced installation time
- Fully assembled
- Multiple inserts available (see table)

DIMENSIONS:

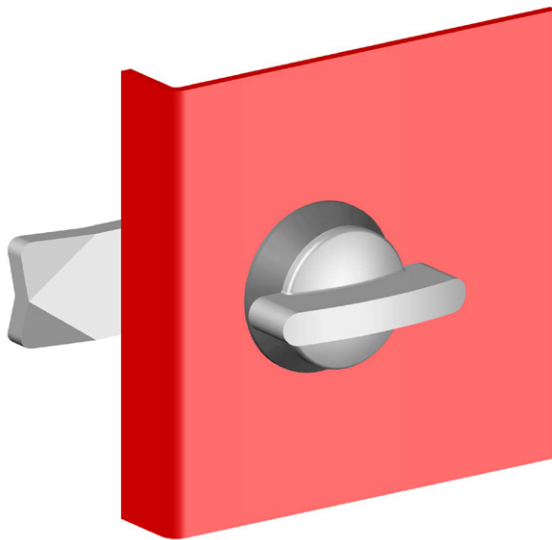
Housing Length = 18.5mm
Escutcheon = 32mm

MATERIAL & FINISH:

Housing Zinc die, Chrome plated
Insert Zinc die or polyamide
Cam Mild steel, Zinc plated

CAM DIMENSIONS:

Cam ordered separately
Refer to [page 1-14](#) when ordering



Convert to compression style with [PI5124 \(page 2-14\)](#)

KNOB MATERIAL	PART NUMBER
Zinc die, Chrome plated	M362-1-1-36-1
Zinc die, Black powder coated	M362-11-12-36-1
Polyamide	M362-11-20-36-1



PADLOCKABLE WING KNOB



FEATURES:

- Reduced installation time
- Fully assembled
- Suit up to 6mm pad lock

DIMENSIONS:

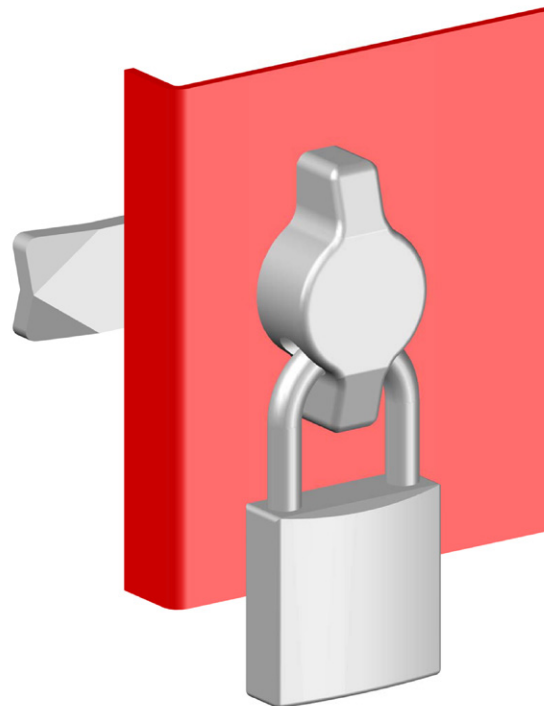
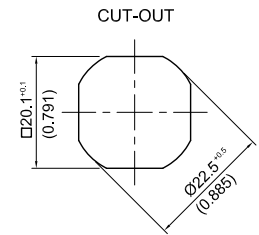
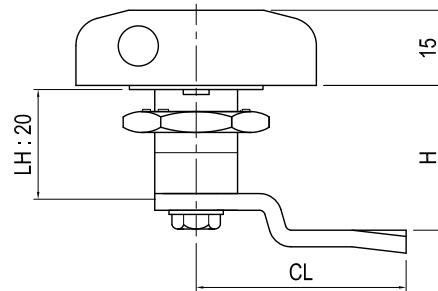
Housing Length = 20mm

MATERIAL & FINISH:

Housing Zinc die, Chrome plated
 Insert Zinc die, Chrome plated
 Cam Mild steel, Zinc plated

CAM DIMENSIONS:

Standard cam included H=26mm
 Other variations available on request
 Refer to [page 1-14](#) when ordering



Convert to compression style with [PI5124 \(page 2-14\)](#)

MATERIAL/FINISH	HANDEDNESS	PART NUMBER
Zinc die, Chrome plated	Right hand	M262-1-36-001
Zinc die, Chrome plated	Left hand	M262-1-36-002



WING HANDLE

FEATURES:

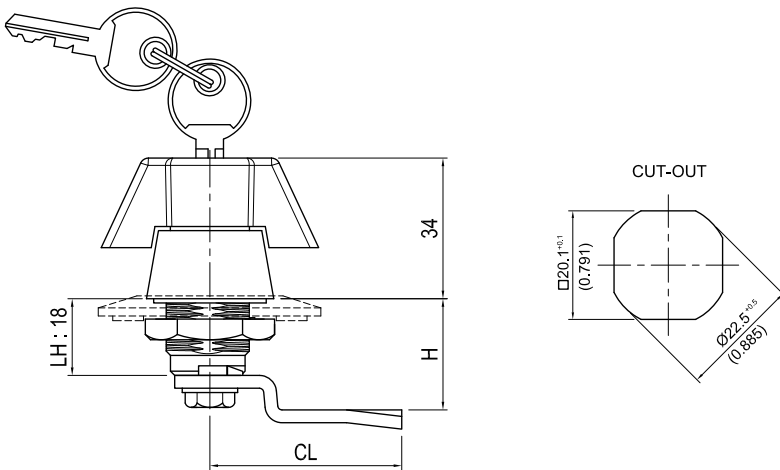
- RH or LH application
- 90° rotation
- Key locking and non locking option available
- IP65 rated

MATERIAL & FINISH:

Housing	Zinc die, Chrome plated
Nut	Zinc die, Zinc plated
Handle	Zinc die, Chrome plated

CAM DIMENSIONS:

Cam ordered separately
Refer to [page 1-14](#) when ordering



KEY NUMBER	PART NUMBER
CL001	ALWU01A
92268	ALWU02A

TEAR DROP QUARTER TURN

FEATURES:

- IP65 Rated
- Reduced fixing time
- Fully Assembled
- Detent for positive latching

DIMENSIONS:

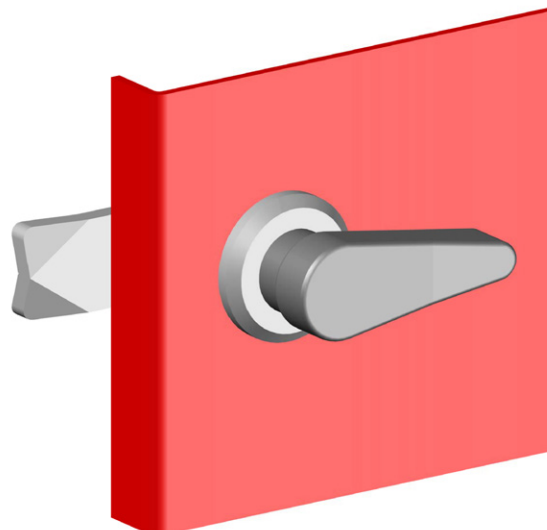
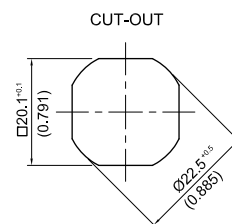
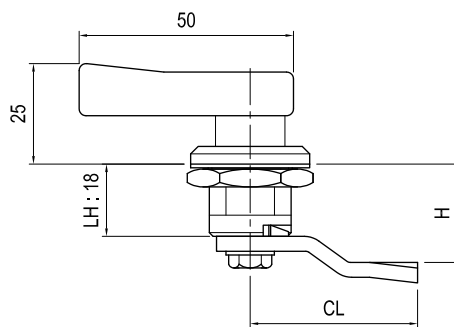
Housing Length = 18mm
Escutcheon = 28mm

MATERIAL & FINISH:

Housing Zinc die, Chrome plated
Insert Polyamide
Cam Mild steel, Zinc plated

CAM DIMENSIONS:

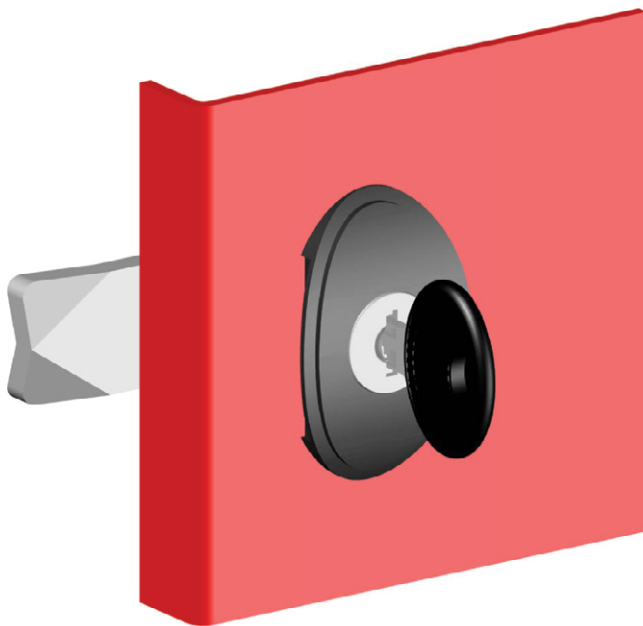
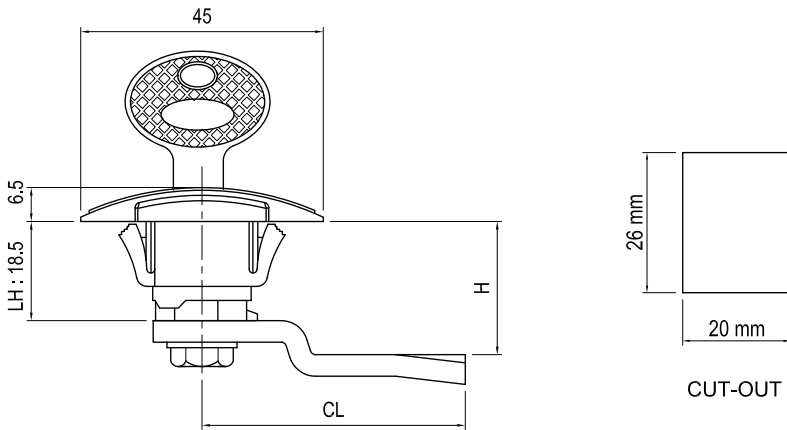
Standard cam included H=26mm
Other variations available on request
Refer to [page 1-14](#) when ordering



Convert to compression style with [PI5124](#) (page 2-14)

HOUSING DESCRIPTION	PART NUMBER
Zinc die cast with 28mm escutcheon	TL818
Zinc die cast with 32mm escutcheon	TL818-32

KNOB-ON LOCK



FEATURES:

- Clip-in fixing for easy assembly
- Reduced installation time
- Inbuilt finger pull
- Multiple key combinations available (see table)
- To suit panel thickness 0.8-1.8mm

DIMENSIONS:

Housing Length = 18.5mm

MATERIAL & FINISH:

Housing Polyamide
Barrel Zinc die cast
Cam Mild steel, Zinc plated

CAM DIMENSIONS:

Cam ordered separately
Refer to [page 1-14](#) when ordering



KEY CODE	PART NUMBER
92268	M261-2-0-92268-00
CL001	M261-2-0-CL001-00

QUARTER TURN KEYS

MATERIAL & FINISH:

- Zinc die cast
- Zinc plated



3mm Double Bit
CL118-3-KEY



5mm Double Bit
CL118-5-KEY



7mm Square
SQ118-7-KEY



8mm Square
SQ118-8-KEY



7mm Triangle
TL118-7-KEY



8mm Triangle
TL118-8-KEY



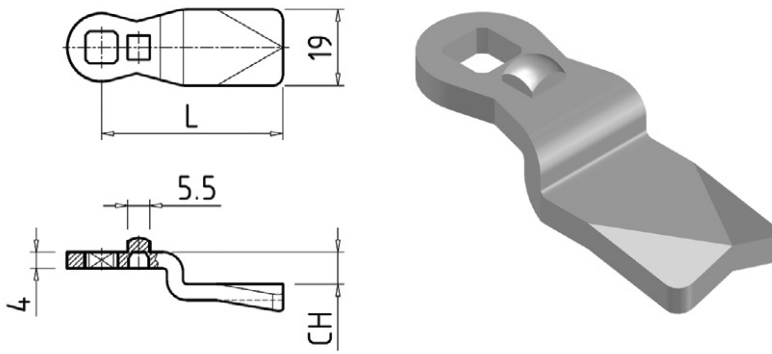
Ask us about placing your Company Logo
on the keys
(Minimum order will be applied)

CAMS

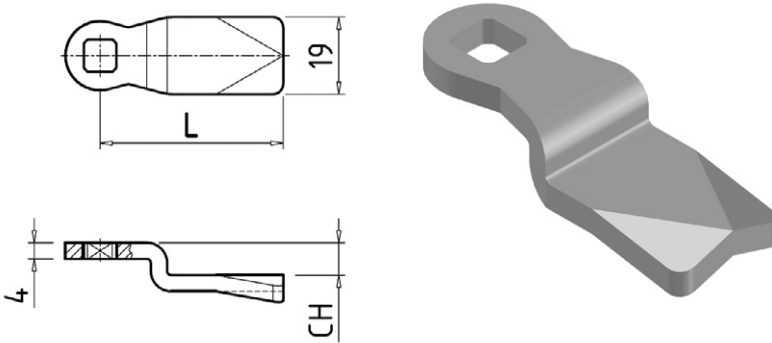
MATERIAL & FINISH:

- Mild steel
- Zinc plated
- 4mm material thickness

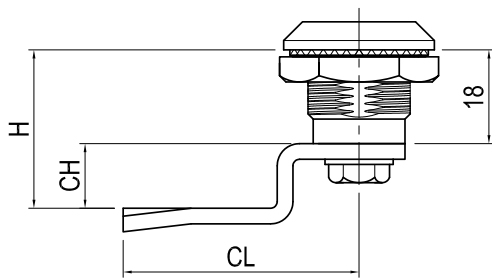
* Stainless steel range, available on request



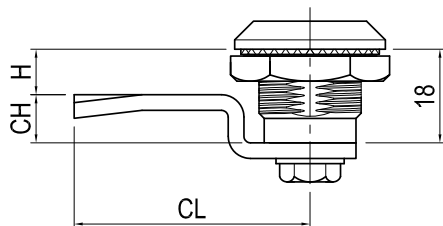
Cam with stopper



Cam without stopper



$$H = 18 + CH$$



$$H = 18 - CH$$



LENGTH	STYLE	PART NUMBER
L = 45	Stopper	MCAM-H
L = 45	No Stopper	XCAM-H
L ≠ 45	Stopper	MCAM-H-L
L ≠ 45	No Stopper	XCAM-H-L

THUMB SCREWS

FEATURES:

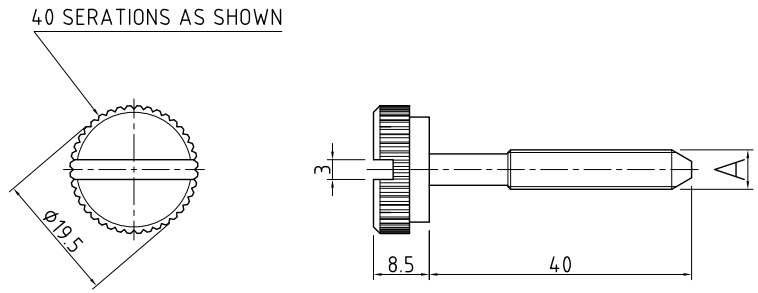
- Knurled head
- 3 x 3mm screw driver slot
- Retaining O-ring available on request

MATERIAL & FINISH:

Mild steel - nickel chrome plated

RETAINING O-RING:

Part No: O-RING#201(For 40 x 6) /
O-RING#202 (For 40 x 8)



THREAD "A"	LENGTH	PART NUMBER
M6	30mm	LNL30X6
M6	35mm	LNL35X6
M6	40mm	LNL40X6
M6	50mm	LNL50X6
M8	40mm	LNL40X8
M6	50mm	Locating Pin

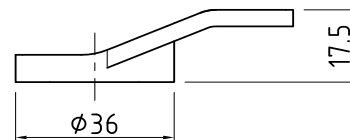
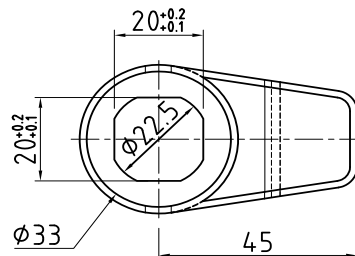
FINGER PULL

FEATURES:

- Black polyamide handle pull

MATERIAL & FINISH:

Black polyamide



MATERIAL	PART NUMBER
Black polyamide	PI5339-07

* Ask us about placing your company logo (minimum order 1000 pcs).

2



SECTION TWO

[2-1 PART NUMBER SYSTEM](#)

[2-2 HINGE POSITION](#)

[2-3 LOCKABLE T HANDLE](#)

[2-4 LOCKABLE L HANDLE](#)

[2-5 L HANDLE](#)

[2-6 PADLOCKABLE L HANDLE](#)

[2-7 PADLOCKABLE L HANDLE](#)

[2-8 T HANDLE](#)

[2-9 CANOPY T HANDLE](#)

[2-10 POP UP T HANDLE](#)

[2-11 POP T HANDLE](#)

[2-12 COMPRESSION T HANDLE](#)

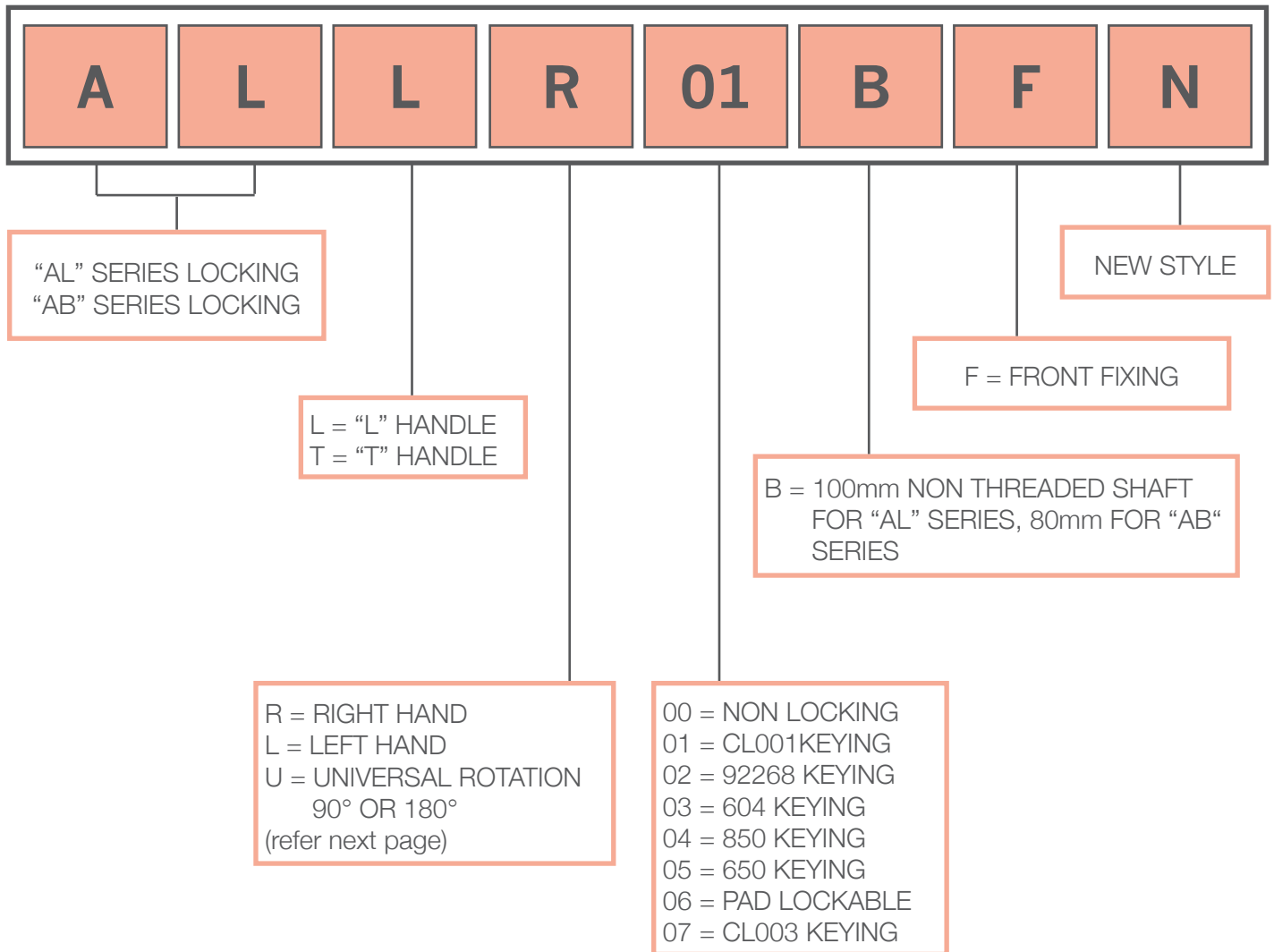
[2-13 COMPACT POP T HANDLE](#)

[2-14 COMPRESSION ACCESSORY](#)

[2-14 ADJUSTABLE CAM](#)

[2-15 INSTALLATION DIAGRAM](#)

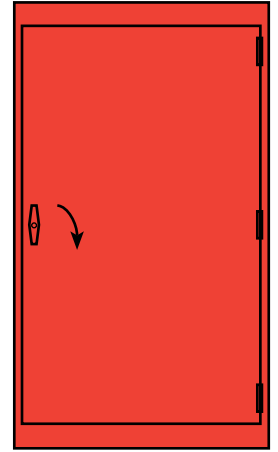
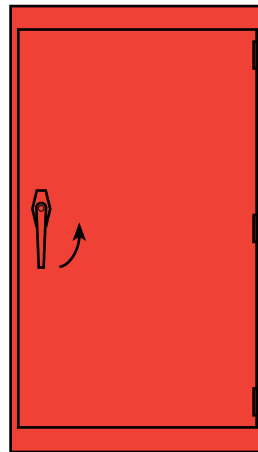
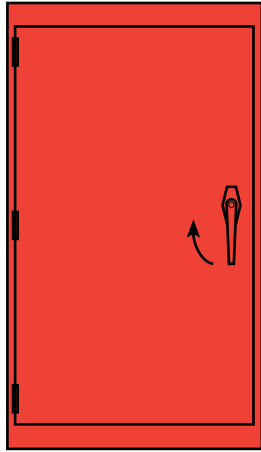
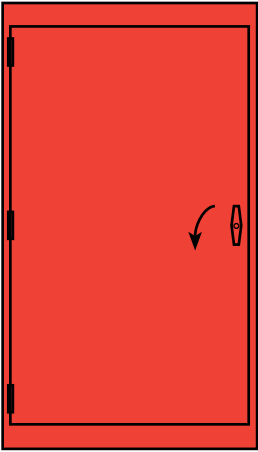
PART NUMBER SYSTEM



HINGE POSITION

Left Hand

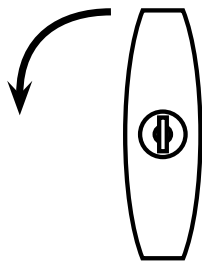
Right Hand



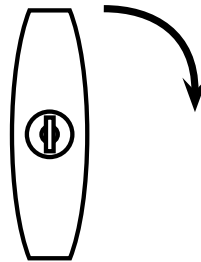
LH handles are used on cabinets hinged on the left

RH handles are used on cabinets hinged on the right

LH opens anti-clockwise

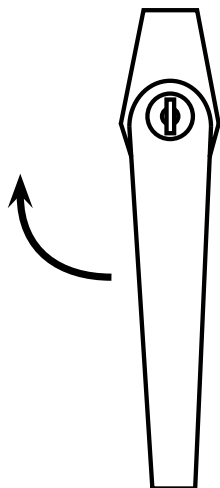


T Handles

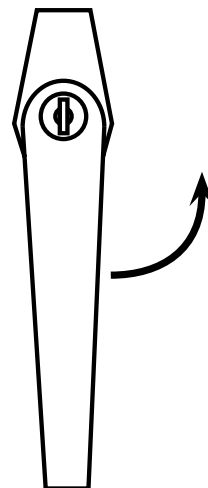


RH opens clockwise

LH opens clockwise



L Handles



RH opens anti-clockwise

VLOCKABLE T HANDLE

FEATURES:

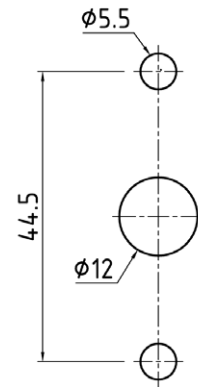
- Rear fixing
- Park position with “click”
- 90° or 180° rotation, LH or RH application
- Various key types available
- High quality chrome plating

MATERIAL & FINISH:

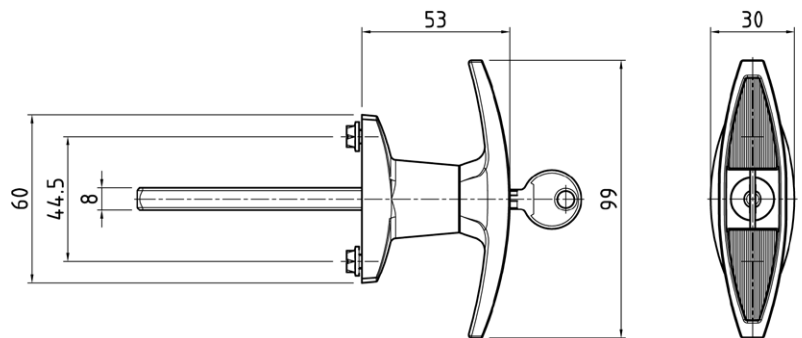
Handle	Zinc Die, Chrome Plated
Housing	Zinc Die, Chrome Plated
Shaft	Mild steel, Zinc Plated

STANDARD CAMS AVAILABLE:

- [1000-1586](#) Single point
- [1000-1587](#) 3 point with adapters
- [1000-1588](#) 3 point without adapters
- [1000-1592](#) Internal handle
- [P2535](#) Emergency internal handle
- [1000-1589-1200E](#) 2x rods + 3 point cam



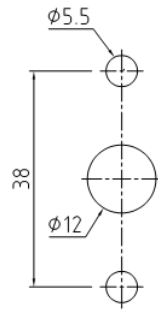
CUT-OUT



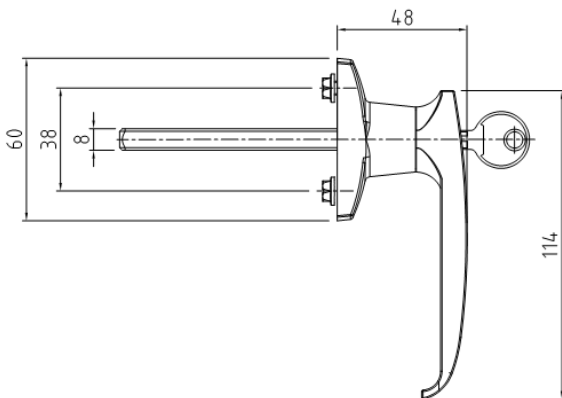
MOUNTING TYPE	KEY NUMBER	PART NUMBER
Non Locking		ABTU00B
Rear	CL001	ABTU01B
Rear	92268	ABTU02B
Rear	604	ABTU03B
Rear	CL003	ABTU07B

For front mount add “F” to end of part number

LOCKABLE L HANDLE



CUT-OUT



FEATURES:

- Rear fixing
- Park position with “click”
- 90° or 180° rotation, LH or RH application
- Various key types available
- High quality chrome plating

MATERIAL & FINISH:

Handle	Zinc Die, Chrome Plated
Housing	Zinc Die, Chrome Plated
Shaft	Mild Steel, Zinc Plated

STANDARD CAMS AVAILABLE:

- [1000-1586](#) Single point
- [1000-1587](#) 3 point with adapters
- [1000-1588](#) 3 point without adapters
- [1000-1592](#) Internal handle
- [P2535](#) Emergency internal handle
- [1000-1589-1200E](#) 2x rods + 3 point cam



CL001 KEYED

KEY NUMBER	PART NUMBER
Non Locking	ABLU00B
CL001	ABLU01B
92268	ABLU02B
CL003	ABLU07B

L HANDLE



FEATURES:

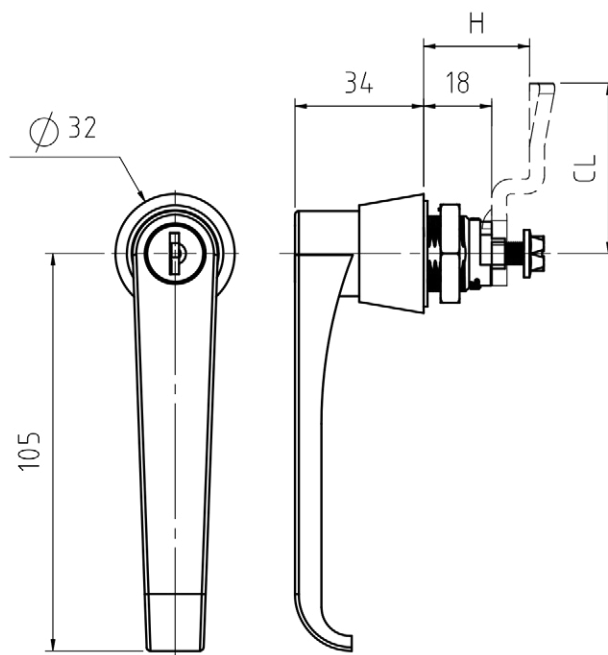
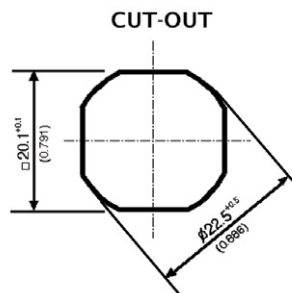
- RH or LH application
- 90° rotation
- Key locking and non locking option available
- IP65 rated

MATERIAL & FINISH:

Housing Zinc die, Chrome plated
 Nut Zinc die, Zinc plated
 Handle Zinc die, Chrome plated

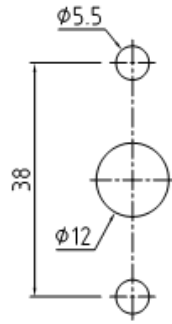
CAMS AVAILABLE:

- Cams ordered separately
- Single point cam with various 'H' dimensions (refer to [page 1-14](#) when ordering)
- 3 point cams with various 'H' dimensions (refer to [page 3-7](#) when ordering)

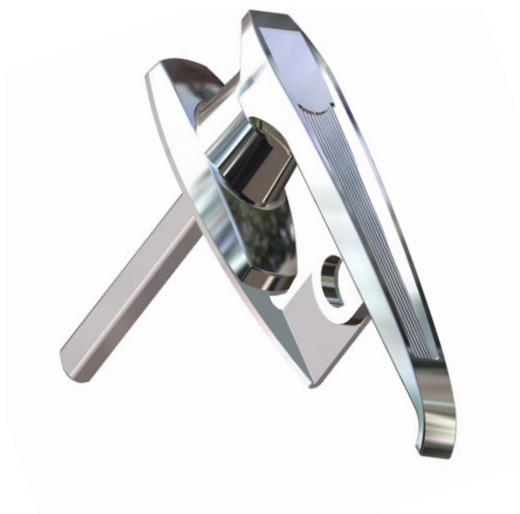
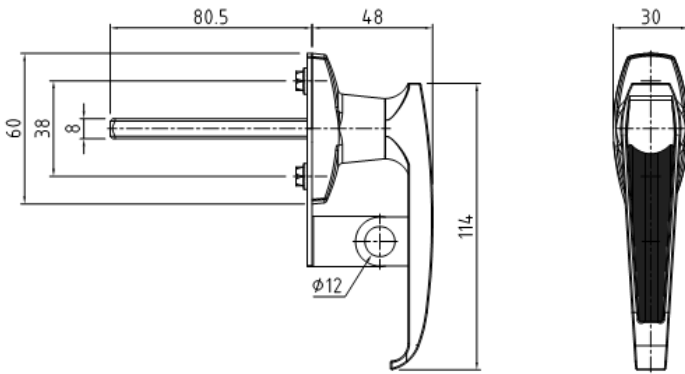


KEY NUMBER	PART NUMBER
CL001	M111-1-1-CL001-00
92268	M111-1-1-92268-00

PADLOCKABLE L HANDLE



CUT-OUT



Handle

FINISH	ROTATION	PART NUMBER
Chrome plated	LH / RH	ABLU06B

Brackets

MATERIAL	ROTATION	PART NUMBER
Mild steel	LH	PI5151-03
Mild steel	RH	PI5151-03-1
Stainless steel	LH	PI5151-03SS
Stainless steel	RH	PI5151-03-1SS

FEATURES:

- Rear fixing
- Park position with “click”
- 90° or 180° rotation, LH or RH application
- High quality chrome plating

MATERIAL & FINISH:

Handle	Zinc Die, Chrome Plated
Housing	Zinc Die, Chrome Plated
Shaft	Mild Steel, Zinc Plated

STANDARD CAMS AVAILABLE:

- [1000-1586](#) Single point
- [1000-1587](#) 3 point with adapters
- [1000-1588](#) 3 point without adapters
- [1000-1592](#) Internal handle
- [P2535](#) Emergency internal handle
- [1000-1589-1200E](#) 2x rods + 3 point cam

Handle & bracket sold separately



PADLOCKABLE L HANDLE

FEATURES:

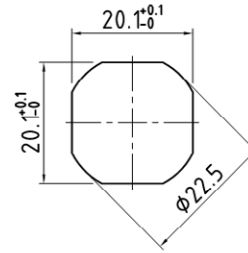
- Rear fixing, single hole mount
- IP65 rating
- 90° rotation, LH or RH application

MATERIAL & FINISH:

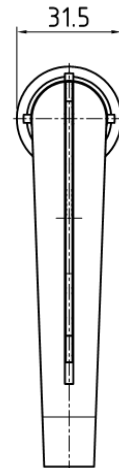
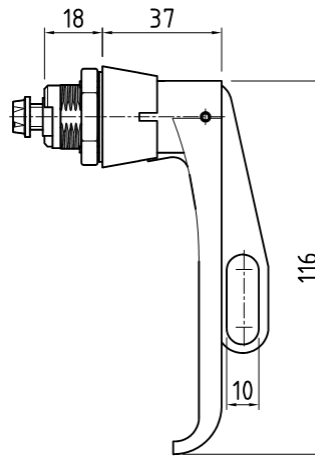
Handle Zinc Die, Chrome Plated
Housing Zinc Die, Chrome Plated
Padlock Hasp Stainless steel 316

CAMS AVAILABLE:

- Cams ordered separately
- Single point cam with various 'H' dimensions (refer to [page 1-14](#) when ordering)
- 3 point cams with various 'H' dimensions (refer to [page 3-7](#) when ordering)



CUTOUT



FINISH

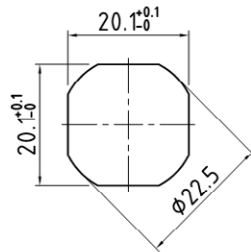
Chrome plated

PART NUMBER

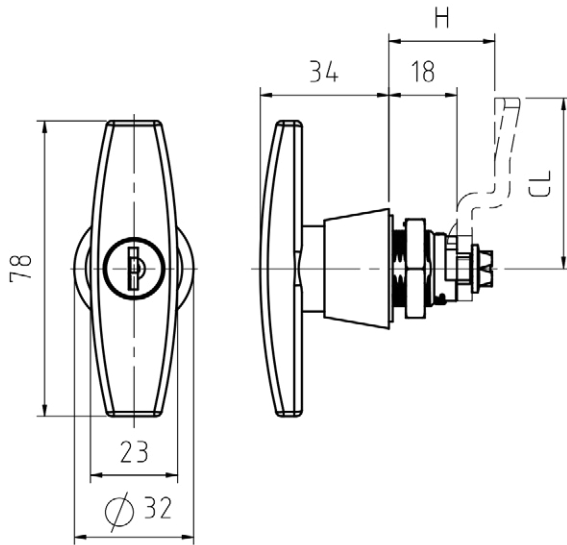
ALLU06A



T HANDLE



CUTOUT



FEATURES:

- RH or LH application
- 90° rotation
- Key locking and non locking option available
- IP65 rated

MATERIAL & FINISH:

Housing	Zinc die, Chrome plated
Nut	Zinc die, Zinc plated
Handle	Zinc die, Chrome plated

CAMS AVAILABLE:

- Cams ordered separately
- Single point cam with various 'H' dimensions (refer to [page 1-14](#) when ordering)
- 3 point cams with various 'H' dimensions (refer to [page 3-7](#) when ordering)



KEY NUMBER	PART NUMBER
CL001	M110-1-1-CL001-00
92668	M110-1-1-92268-00

CANOPY T HANDLE

FEATURES:

- Front or rear fixing
- Low profile for automotive use
- Various key combinations available
- Black powder coated finish

DIMENSIONS:

Shaft Length = 50 or 100mm
Square size = 8mm

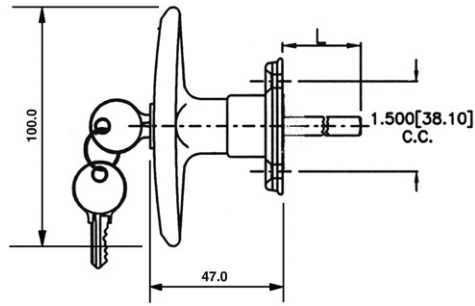
MATERIAL & FINISH:

Handle Zinc die, Black P.C
Base Zinc die, Black P.C
Shaft Mild steel, Zinc plated

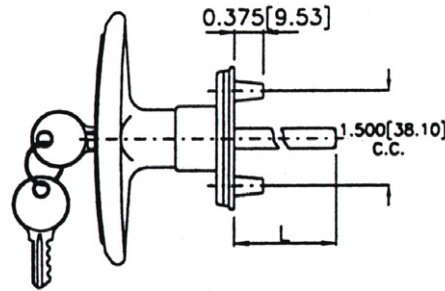
STANDARD CAMS AVAILABLE:

- [1000-1586](#) Single point
- [1000-1587](#) 3 point with adapters
- [1000-1588](#) 3 point without adapters
- [1000-1592](#) Internal handle
- [P2535](#) Emergency internal handle

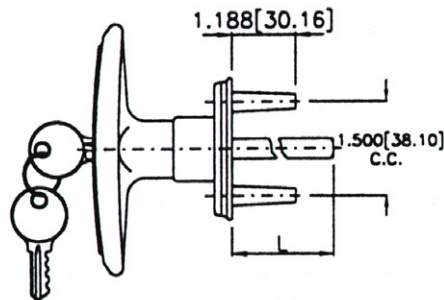
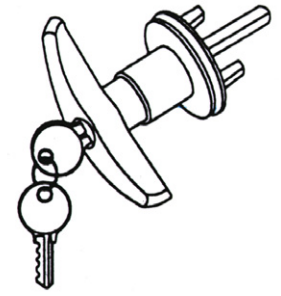
Suit 8x32 UNC THREAD



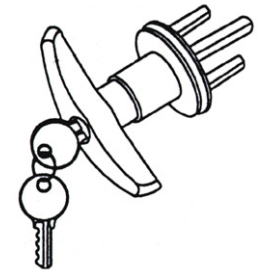
VERSION 1



VERSION 2

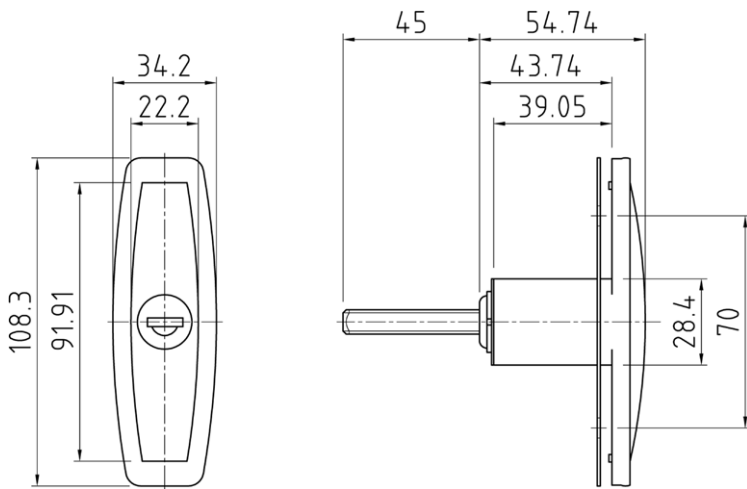


VERSION 3



VERSION	FIXING	SHAFT	PART NUMBER
1	Front	50mm	AL-T303L-RXXBF
1	Front	100mm	AL-T303L-RXXBF-100
2	Rear	50mm	AL-T307L-RXXB-1050
3	Rear	100mm	AL-T307L-RXXB-30100

POP UP T HANDLE



FEATURES:

- Pop-out T-handle and with anti-dust cover
- Black painted standard
- 5 disc tumbler mechanism
- Rotation angle 1800 cw
- 2 single bitted key with plastic cover & 1 rubber washer
- Available for 200 combinations

DIMENSIONS:

Shaft Length = 45mm
Square size = 8mm

MATERIAL & FINISH:

Zinc alloy die cast

STANDARD CAMS AVAILABLE:

- [1000-1586](#) Single point
- [1000-1587](#) 3 point with adapters
- [1000-1588](#) 3 point without adapters
- [1000-1592](#) Internal handle
- [P2535](#) Emergency internal handle



DESCRIPTION	PART NUMBER
Pop up T Handle	60026

POP T HANDLE

FEATURES:

- Flush mount
- Low profile for automotive use
- Various key combinations available
- Black powder coated finish
- Pop up action for easy operation

DIMENSIONS:

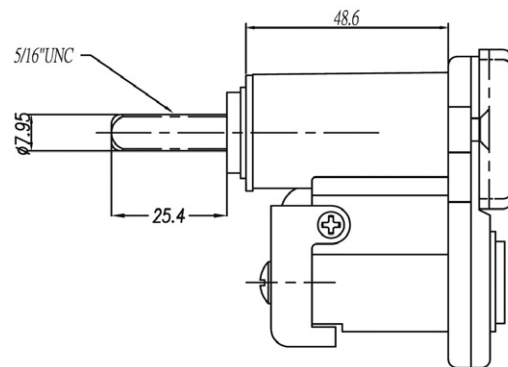
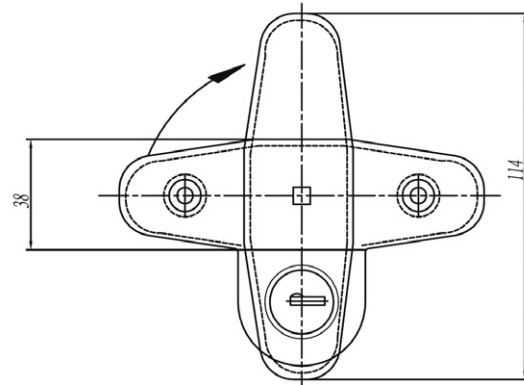
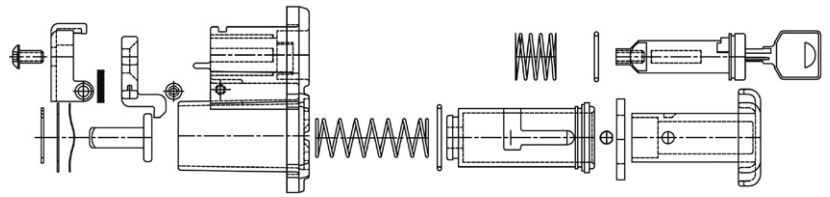
Shaft Length = 25mm
 Cross section = 8mm

MATERIAL & FINISH:

Handle Zinc die, Black Powder
 Coated
 Base Zinc die, Black Powder
 Coated
 Shaft Mild steel, Zinc plated

STANDARD CAM DIMENSIONS:

- [1000-1586](#) Single point
- [1000-1587](#) 3 point with adapters
- [1000-1588](#) 3 point without adapters



KEY CODE	DIRECTION TO OPEN	PART NUMBER
CF203	CCW	T302L-CF203
CF204	CCW	T302L-CF204
CF205	CCW	T302L-CF205
CF206	CCW	T302L-CF206
CF207	CCW	T302L-CF207

COMPRESSION T HANDLE

FEATURES:

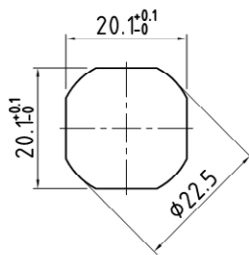
- Provides compression on closing
- Reduced fixing time
- Fully assembled
- Standard key - K28

MATERIAL & FINISH:

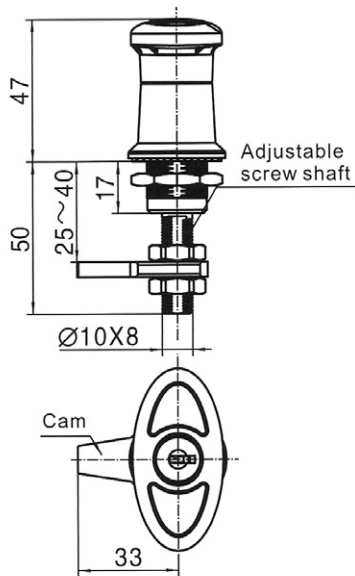
Housing	Zinc die, satin Chrome plated
Cam	Mild steel, Zinc plated

CAM DIMENSIONS:

- Standard flat cam included
- Single point cam with various 'H' dimensions available (refer to [page 1-14](#) when ordering)



CUTOUT



MS319-1A



KEY CODE	LENGTH (mm)	PART NUMBER
Keyed K28	50	MS319-1A

COMPACT POP T HANDLE

FEATURES:

- Compression action
- Front fixing
- Low profile for automotive use
- Various key combinations available
- Pop-up feature
- Can fit thick composite panel

KEYING:

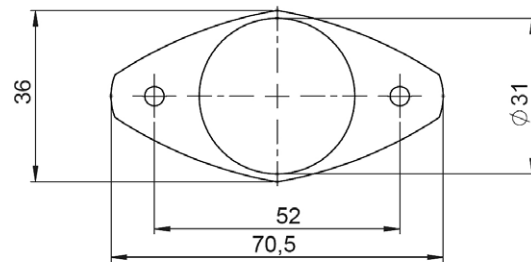
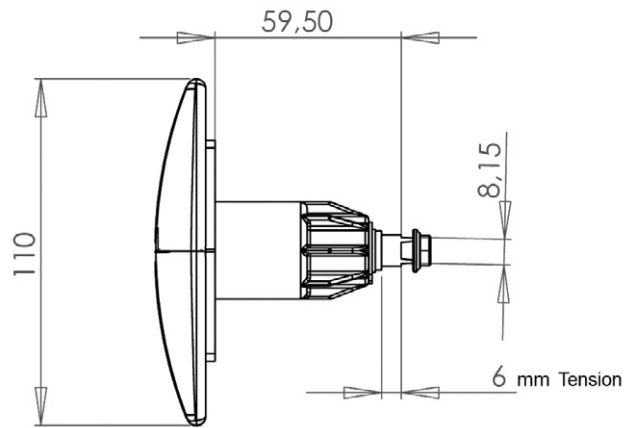
Barrel & key to be ordered separately.
Please refer to table below

MATERIAL & FINISH:

Handle Polyamide
Base Polyamide
Shaft Zinc die cast

CAMS AVAILABLE:

- Cams ordered separately
- Single point cam with various 'H' dimensions (refer to [page 1-14](#) when ordering)
- 3 point cams with various 'H' dimensions (refer to [page 3-7](#) when ordering)



VERSION	DESCRIPTION	PART NUMBER
1	Compression	2007-20S4-840

DESCRIPTION	PART NUMBER
Key Barrel	4309-Z000-8001
Key	4310-Z000-8001

COMPRESSION ACCESSORY

FEATURES:

- Rear fixing
- 6mm compression action on closing and opening
- Suit most of swing handle
- Suit most of quarter turn range
- Suit T handles and L handles

MATERIAL & FINISH:

Housing Black Polyamide
 Shaft Zinc die cast, Zinc plated

CAMS AVAILABLE:

- Single point cam with various 'H' dimensions
- [Adjustable cam \(required see page 2-14\)](#)

Patent/design registration applied for

ADJUSTABLE CAM

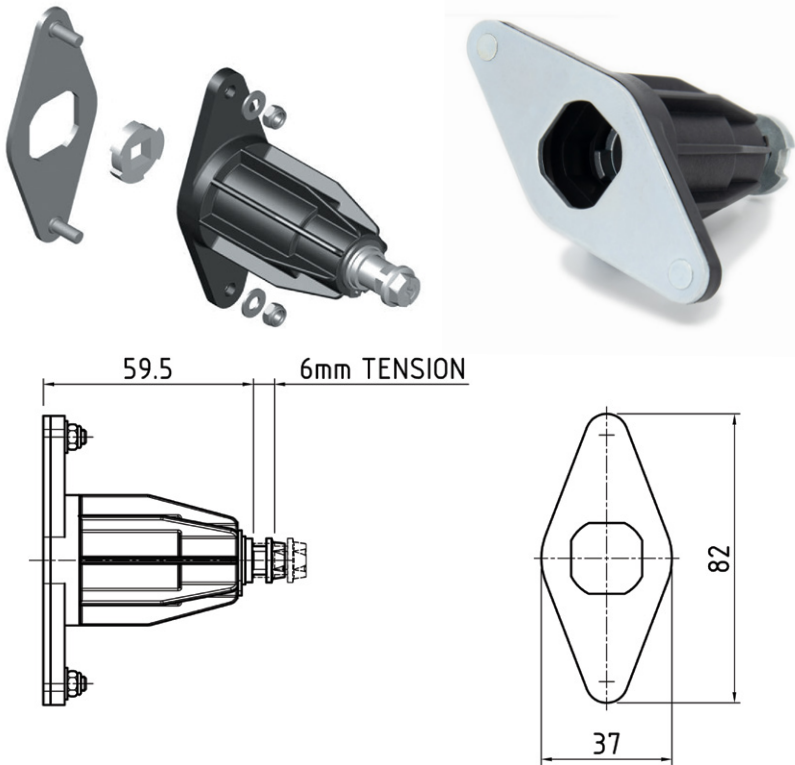
FEATURES:

- Adjustable range 'H' dimensions
- Ideally for use with [compression accessory](#)

MATERIAL & FINISH:

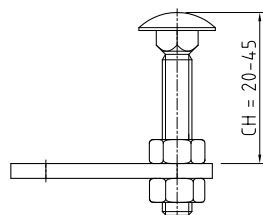
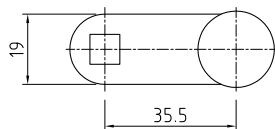
- Mild steel
- Zinc plated

* Stainless steel range, available on request



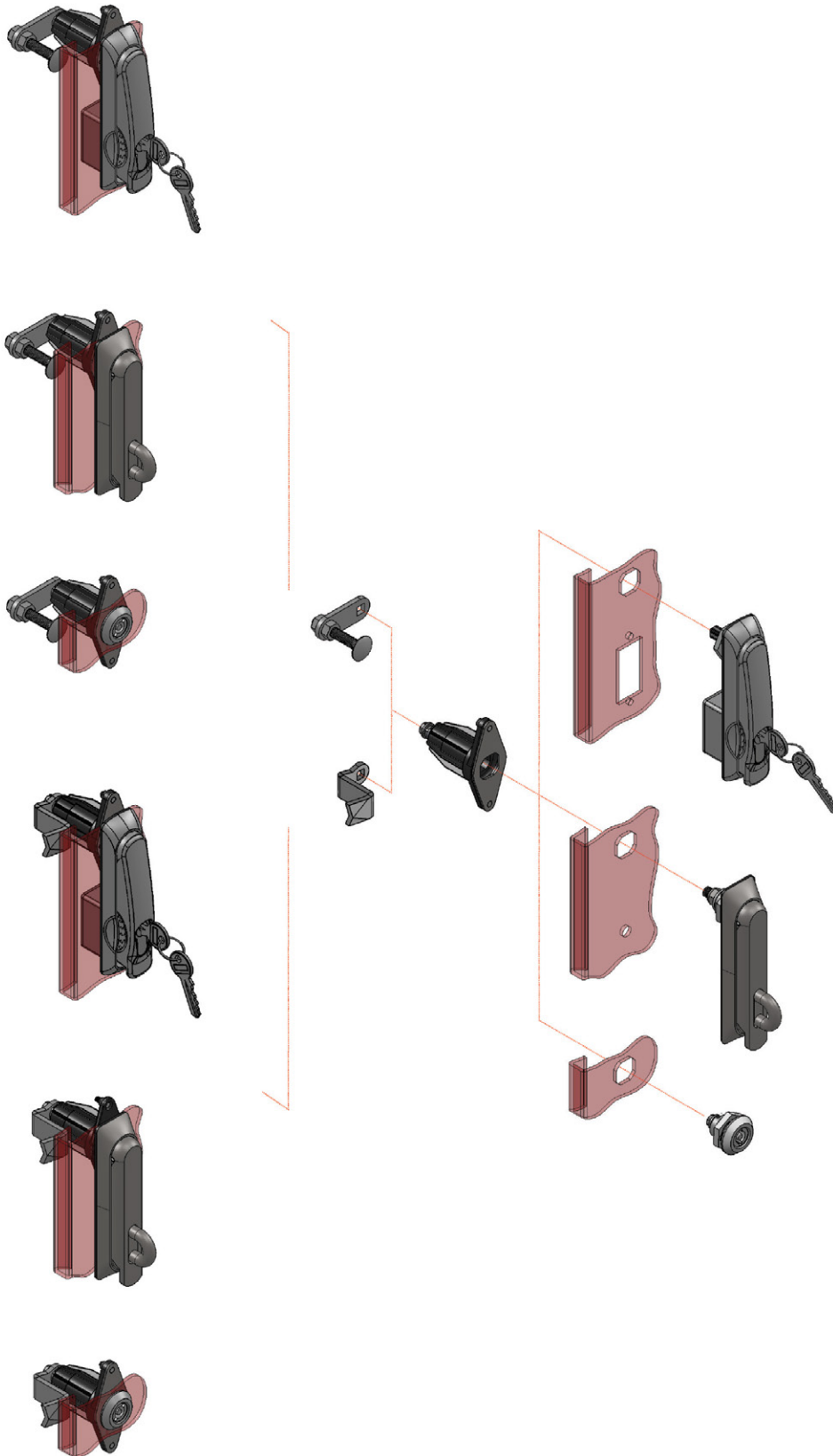
DESCRIPTION	PART NUMBER
Compression accessory	PI5124

* Please contact our sales staff for other options.



MATERIAL	PART NUMBER
Mild steel	PI5124-09

INSTALLATION DIAGRAM



3



SECTION THREE

[3-1 ROLLER CAMS](#)

[3-2 SINGLE POINT LOCKING](#)

[3-3 THREE POINT LOCKING](#)

[3-3 EMERGENCY INTERNAL HANDLE](#)

[3-4 SHAFT EXTENSION](#)

[3-5 THREE POINT CAMS](#)

[3-8 CONNECTOR CLIP](#)

[3-8 ROD GUIDE](#)

[3-9 LOCKING RODS](#)

[3-11 ROD ADAPTER](#)

[3-11 ROLLER ROD END ATTACHMENT](#)

[3-12 ROD LATCH CONTROL](#)

[3-13 FLAT ROD](#)

[3-14 BURST LATCHES](#)

[3-15 ROD SLAM CATCH](#)

[3-16 SLAM CATCH](#)

ROLLER CAMS

FEATURES:

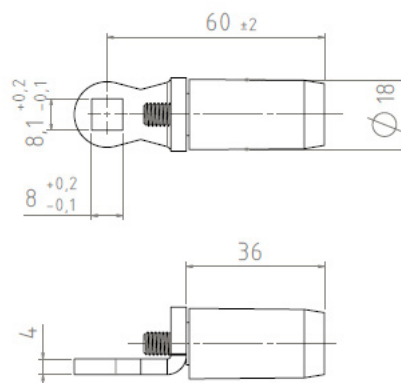
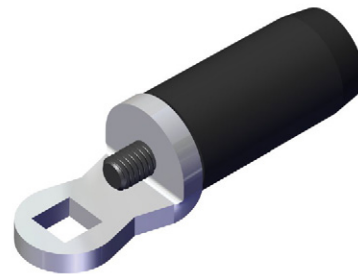
- Smooth rolling action

MATERIAL & FINISH:

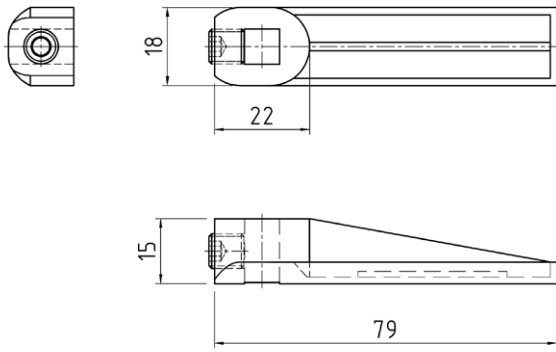
Material Zinc die cast/mild steel

Finish Zinc plated

* More sizes available on request



DESCRIPTION	PART NUMBER
Single point no stopper	XCAM-17-R



SINGLE POINT LOCKING

FEATURES:

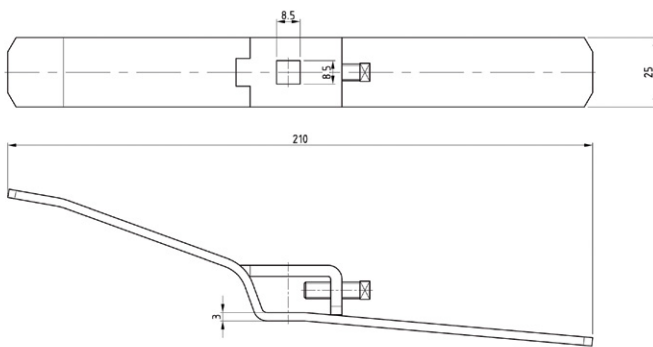
- Suits 8mm square shaft
- Fully adjustable
- Grub screw fastening
- High quality zinc plating

MATERIAL & FINISH:

Material Zinc die cast
 Finish Zinc plated



DESCRIPTION	PART NUMBER
Single point cam	1000-1586



INTERNAL HANDLE

FEATURES:

- Suits 8mm square shaft
- Fully adjustable
- Heavy duty construction

MATERIAL & FINISH:

Material Mild steel
 Finish Zinc plated

DESCRIPTION	PART NUMBER
Internal handle	1000-1592



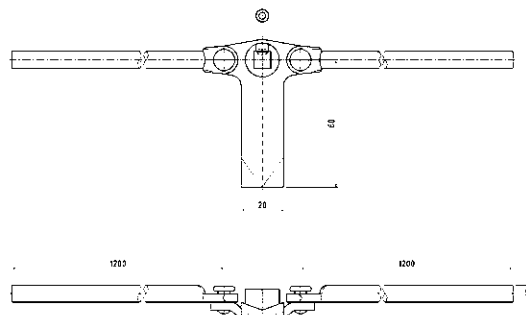
THREE POINT LOCKING

FEATURES:

- Suits 8mm square shaft
- Fully adjustable
- Grub screw fastening
- High quality zinc plating
- To suit door height up to 2400mm

MATERIAL & FINISH:

Material Mild steel
Finish Zinc plated



DESCRIPTION

Three point locking kit

PART NUMBER

1000-1589-1200E

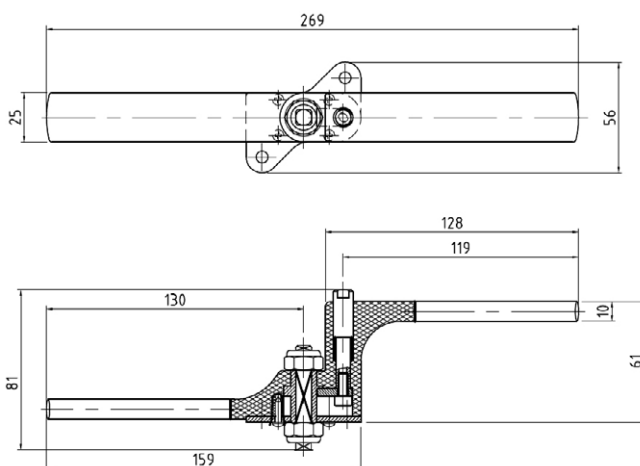
EMERGENCY INTERNAL HANDLE

FEATURES:

- Suits 8mm square shaft
- Fully adjustable
- Heavy duty construction
- Push button action
- Is suitable for use with swing handles
- 3 point locking compatible

MATERIAL & FINISH:

Material Zinc die cast/mild steel
Finish Zinc plated



DESCRIPTION

Emergency internal handle

PART NUMBER

P2535

[May require shaft extension shown on page 3-4](#)

SHAFT EXTENSION

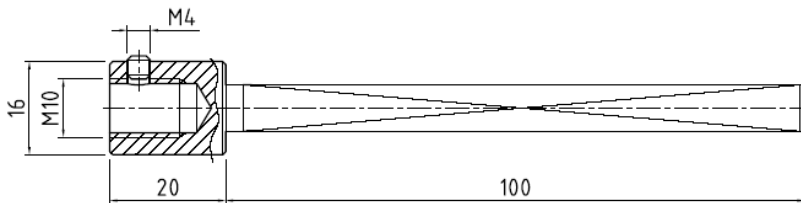
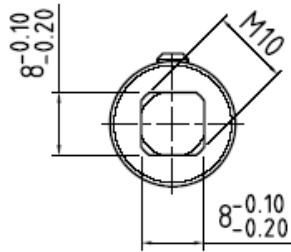
FEATURES:

- Suits swing handle - central locking when [cam P2535](#) is used

MATERIAL & FINISH:

Material: Mild steel

Finish: Zinc plated



KEY NUMBER

PART NUMBER

Shaft extension

PI5270

THREE POINT CAM

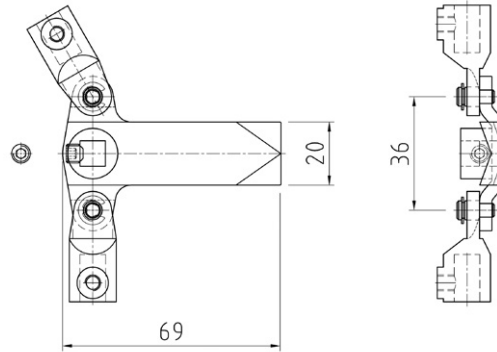
FEATURES:

- Suits 8mm square shaft
- Fully adjustable
- With fitted rod adapters
- Solid boss
- Grub screw fastening
- High quality zinc plating
- Stainless steel available

MATERIALS & FINISH:

Material Zinc die cast/mild steel
Finish Zinc plated

Material Stainless steel
Finish Stainless steel



DESCRIPTION	PART NUMBER
Three point cam with rod adapters	1000-1587
Stainless steel three point cam with rod adapters	1000-1587-SS

THREE POINT CAM

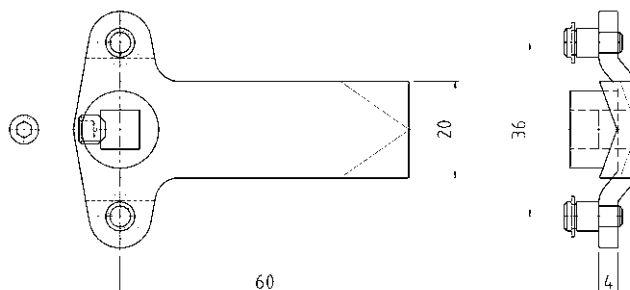
FEATURES:

- Suits 8mm square shaft
- For assembly with rods with eye
- Solid boss
- Grub screw fastening
- High quality zinc plating
- Stainless steel available

MATERIALS & FINISH:

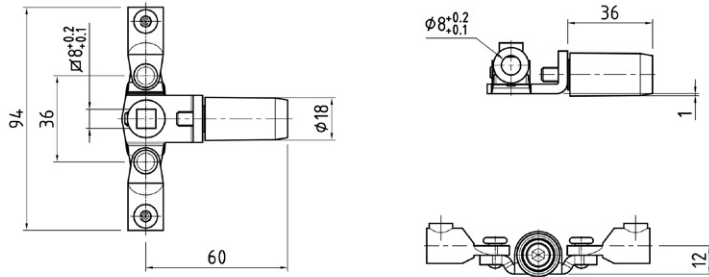
Material Zinc die cast/mild steel
Finish Zinc plated

Material Stainless steel
Finish Stainless steel



DESCRIPTION	PART NUMBER
Three point cam	1000-1588
Stainless steel three point cam	1000-1588-SS

THREE POINT ROLLER CAM



FEATURES:

- Suits 8mm square shaft
- Fully adjustable
- With fitted rod adapters
- Solid boss
- Grub screw fastening
- High quality zinc plated

MATERIAL & FINISH:

Cam	Mild steel, Zinc plated
Adapter	Zinc die cast, Zinc plated
Roller	Black Polyamide

DESCRIPTION	PART NUMBER
Three point cam with roller and riveted adapter	1000-1587-RR

THREE POINT CAM

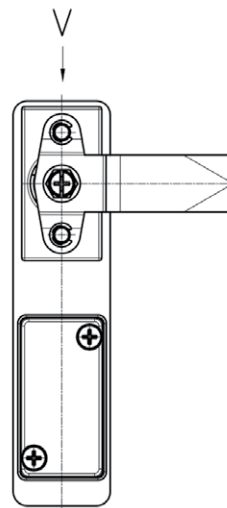
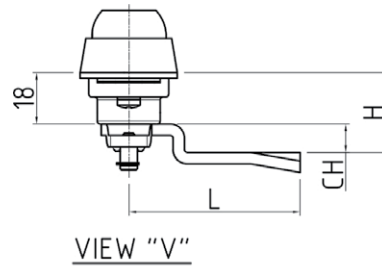
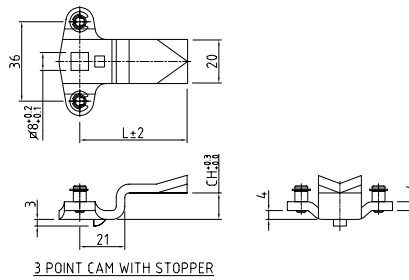
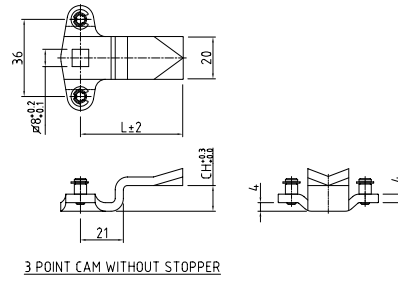
FEATURES:

- Suits IND series swing handle

MATERIAL & FINISH:

Material Zinc die cast/mild steel
Finish Zinc plated

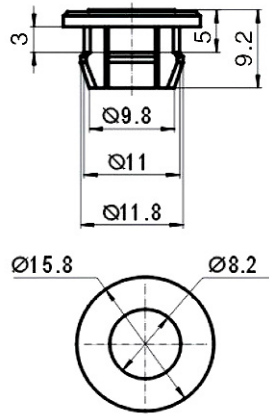
* More sizes available on request



Please note:

- For stopper feature add "-S" to end of part number

CH	L (mm)	H (mm)	PART NUMBER
12	55	30	1000-1588-30-55
14	45	32	1000-1588-32-45



CONNECTOR CLIP

FEATURES:

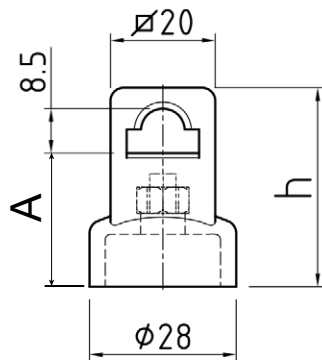
- Nylon guide, match with 8mm diameter rod

MATERIAL:

Material Nylon



MATERIAL	PART NUMBER
Nylon	RG008



ROD GUIDE

MATERIAL & FINISH:

Material Black Polyamide
Finish N/A

DOOR RETURN HEIGHT "A" (mm)	h (mm)	PART NUMBER
20	32	P3355-02
24	36	P3355-04
26	38	P3355-01
37.5	50	P3355-03



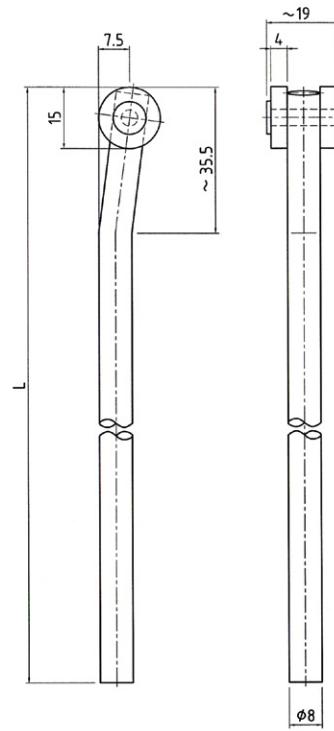
LOCKING ROD

FEATURES:

- 8mm diameter rod
- Various lengths available
- High quality zinc plating

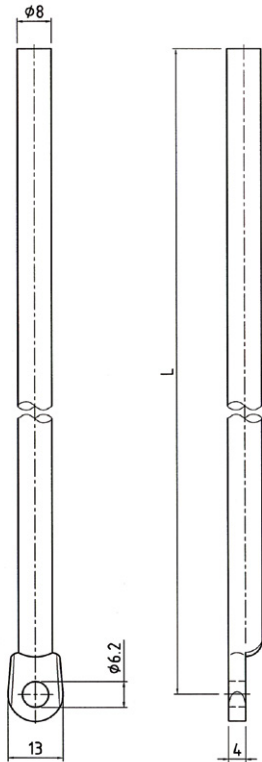
MATERIAL & FINISH:

Material Mild steel or stainless steel
Finish Zinc plated or polished



ROD LENGTH (mm)	PART NUMBER (MILD STEEL)	PART NUMBER (STAINLESS STEEL)
600	ROD600R	ROD600RSS
700	ROD700R	ROD700RSS
800	ROD800R	ROD800RSS
900	ROD900R	ROD900RSS
1000	ROD1000R	ROD1000RSS
1100	ROD1100R	ROD1100RSS
1200	ROD1200R	ROD1200RSS

LOCKING ROD



FEATURES:

- 8mm diameter rod
- Various lengths available
- Available in stainless steel
- High quality zinc plating

MATERIAL & FINISH:

Material Mild steel
Finish Zinc plated

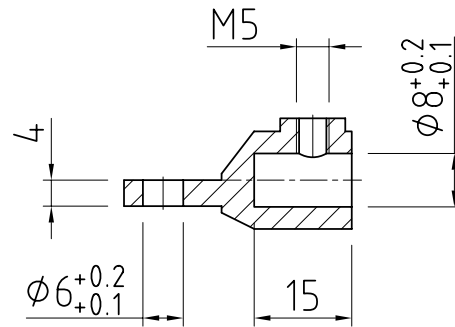
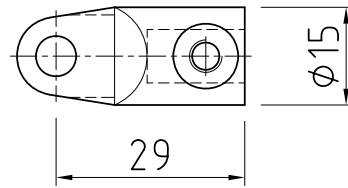
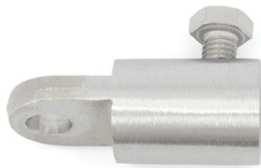
ROD LENGTH (mm)	PART NUMBER
600	ROD600E
700	ROD700E
800	ROD800E
900	ROD900E
1000	ROD1000E
1100	ROD1100E
1200	ROD1200E



ROD ADAPTER

MATERIAL & FINISH:

Material Zinc die cast/mild steel
Finish Zinc plated

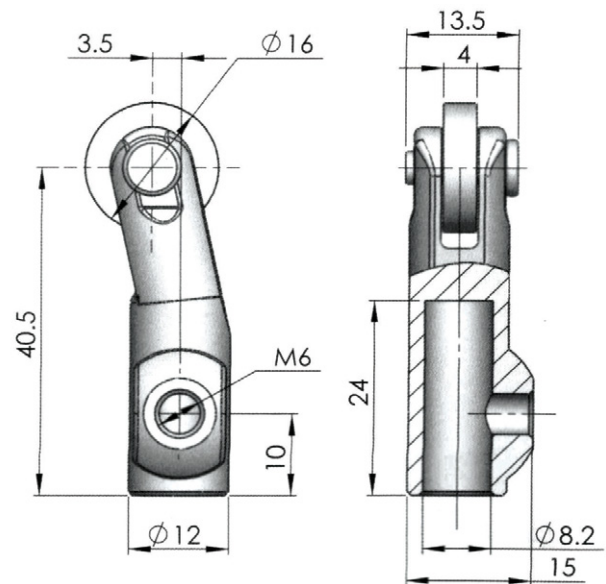
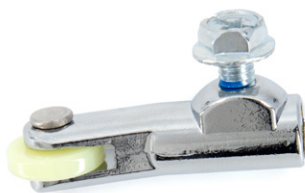


MATERIAL	PART NUMBER
Zinc die cast	RODADAPT
Stainless steel	RODADAPT-SS

ROLLER ROD END ATTACHMENT

MATERIAL:

Body Zinc die cast, chrome plated
Roller Polyamide



DESCRIPTION	PART NUMBER
Roller	RG007

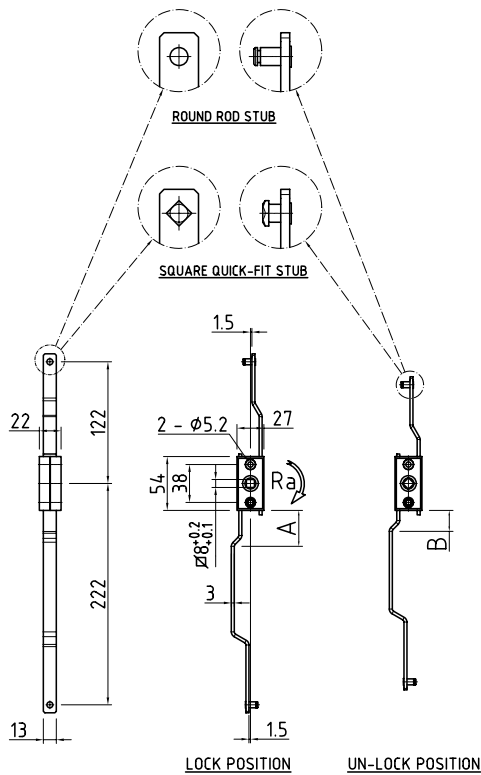
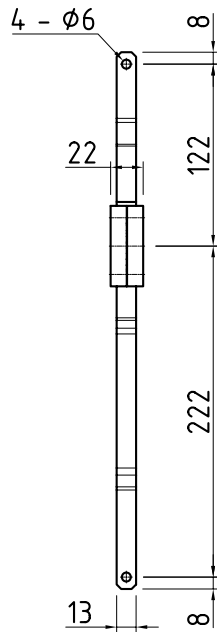
ROD LATCH CONTROL

FEATURES:

- Suits [swing handle IND series](#)

MATERIAL & FINISH:

Rod Mild steel, Zinc plated
 Housing Zinc die cast, Zinc plated



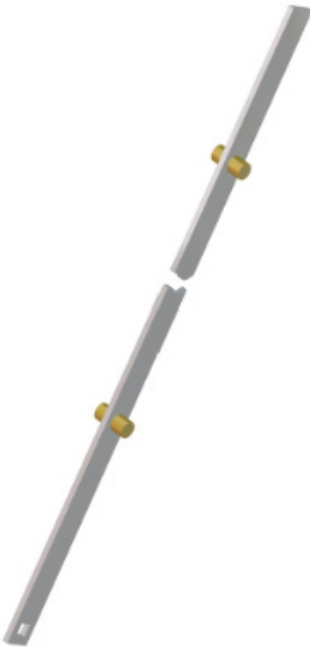
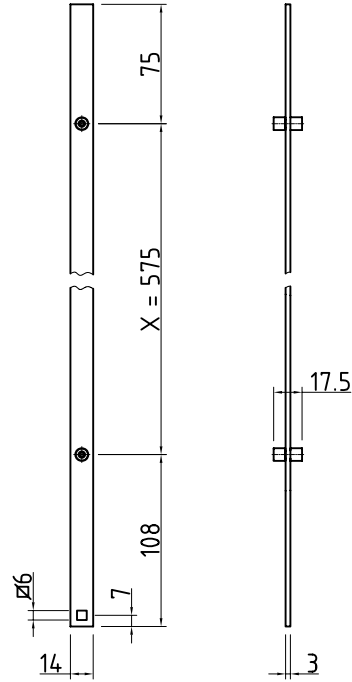
A	B	Ra	STUBS	PART NUMBER
38	13	135	Round rod stubs	HMS103C-1-1
38	13	135	Square quick-fit stubs	HMS103C-1-1-R

FLAT ROD

MATERIAL & FINISH:

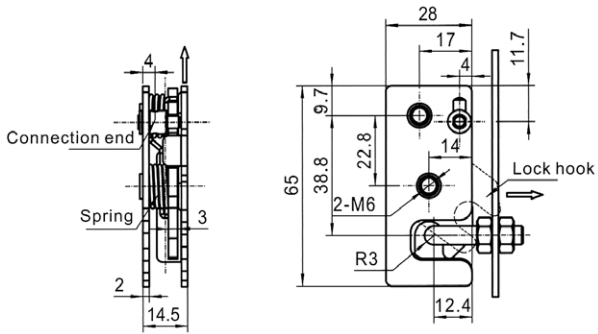
Material Mild steel
 Finish Zinc plated

* Other "L" dimension available on request

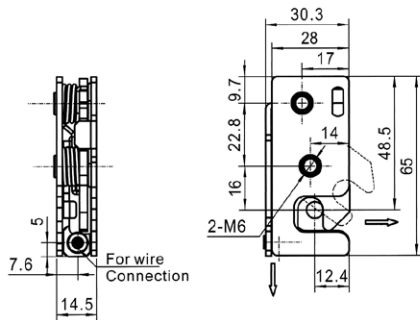
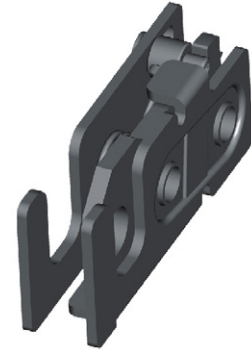


DESCRIPTION	L (mm)	PART NUMBER
Flat Rod	575	PI5331-01

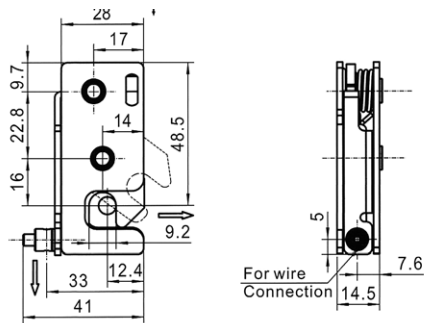
BURST LATCHES



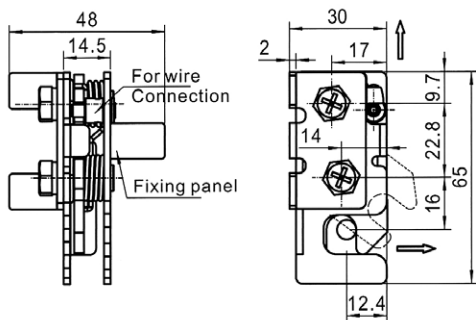
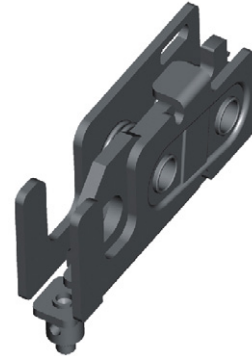
VERSION 1



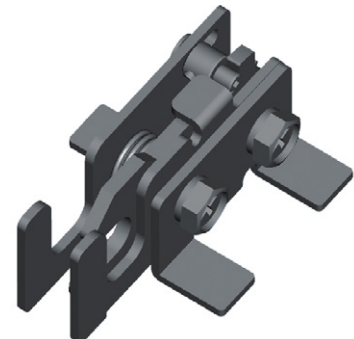
VERSION 2



VERSION 3



VERSION 4



VERSION	PART NUMBER
1	DK618-1
2	DK618-2
3	DK618-3
4	DK618-4

ROD SLAM CATCH

FEATURES:

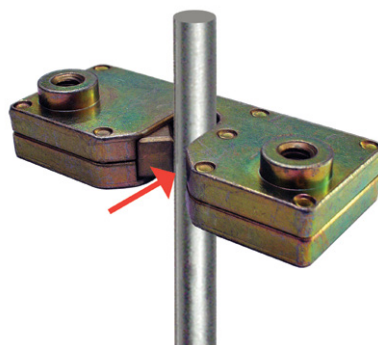
- Allows for slam action for rigid rods
- Can be used with standard handles
- High quality plating
- Suits 8 - 10mm round rods

DIMENSIONS:

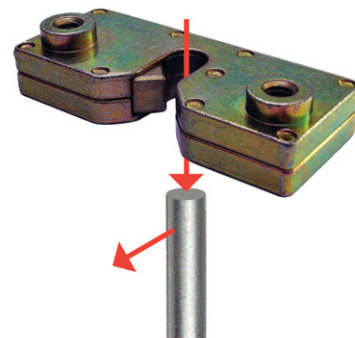
Length	76.2mm
Width	31.7mm
Height	17mm

MATERIAL & FINISH:

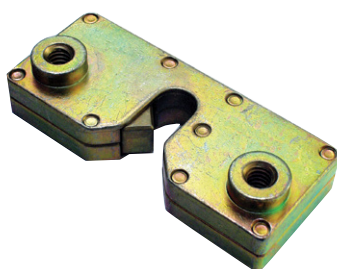
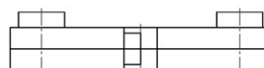
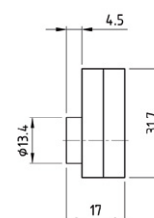
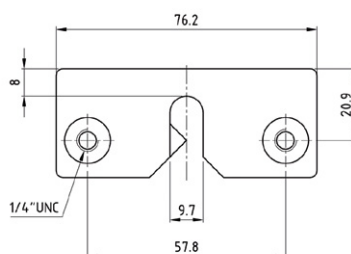
Material:	Zinc die cast
Finish:	Zinc plated



CLOSED



OPEN



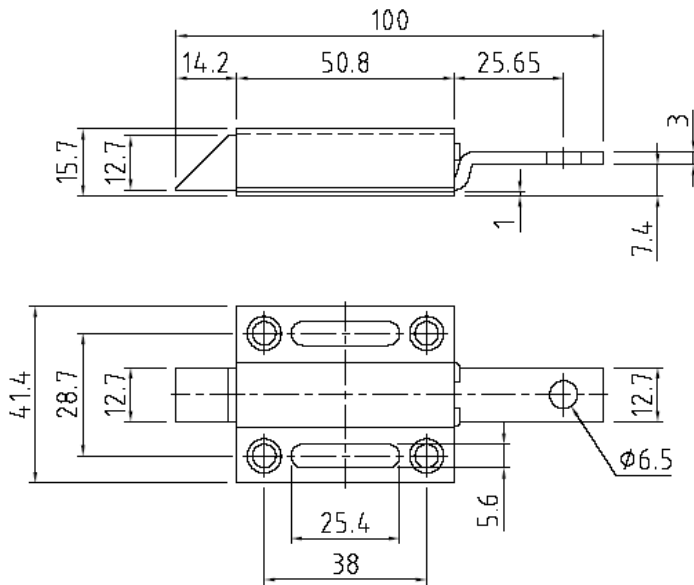
DESCRIPTION

Rod latch for round rods

PART NUMBER

2-563

SLAM CATCH



FEATURES:

- Allows for slam action of doors
- Can be used with standard handles
- High quality plating

DIMENSIONS:

Length	100 mm
Width	41.4 mm
Height	15.7 mm

MATERIAL & FINISH:

Material	Mild steel
Finish	Zinc plated



DESCRIPTION	PART NUMBER
Slam catch	95226

4



SECTION FOUR

- [4-1 BRASS D-PULL HANDLES](#)
- [4-2 MILD STEEL D-PULL HANDLES](#)
- [4-3 STAINLESS STEEL D-PULL HANDLES](#)
- [4-4 STUD FIX D-PULL HANDLES](#)
- [4-5 POLYAMIDE D-PULL HANDLES](#)
- [4-6 POLYAMIDE D-PULL HANDLES](#)

BRASS D-PULL HANDLE

FEATURES:

- Suitable for outdoor applications
- High quality chrome plating
- Available in various centre distances

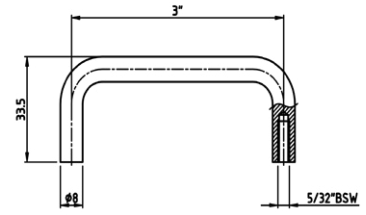
DIMENSIONS:

Shaft Diameter = 8mm

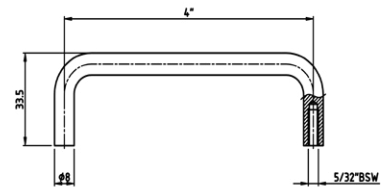
MATERIAL & FINISH:

Material Brass

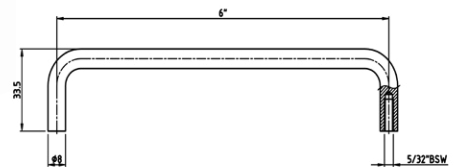
Finish Chrome plated



VERSION 1



VERSION 2

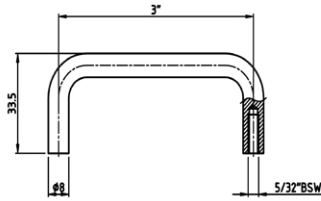


VERSION 3



VERSION	CENTRE DISTANCE	PART NUMBER
1	76mm	MT203-3
2	102mm	MT206-4
3	152mm	MT206-6

MILD STEEL D-PULL HANDLE



VERSION 1

FEATURES:

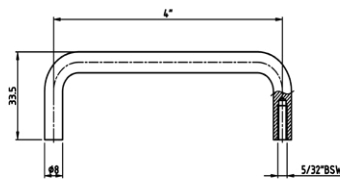
- Affordable alternative to brass
- High quality chrome plating
- Available in various centre distances

DIMENSIONS:

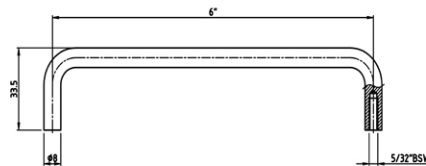
Shaft Diameter = 8mm

MATERIAL & FINISH:

Material Mild steel
Finish Chrome plated



VERSION 2



VERSION 3



VERSION	CENTRE DISTANCE	PART NUMBER
1	76mm	MT203-3M
2	102mm	MT206-4M
3	152mm	MT206-6M

STAINLESS STEEL D-PULL HANDLE

FEATURES:

- Suitable for outdoor applications
- Available in various centre distances

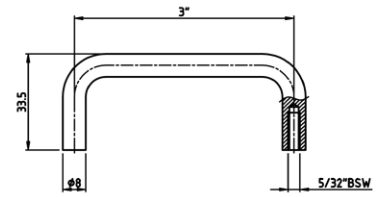
DIMENSIONS:

Shaft Diameter = 8mm

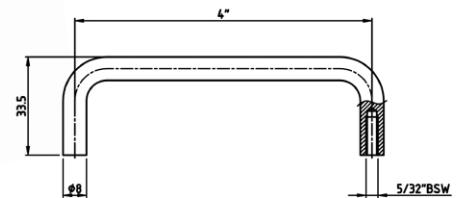
MATERIAL & FINISH:

Material Stainless steel (304 grade)

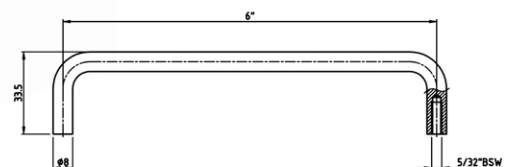
Finish Polished



VERSION 1



VERSION 2

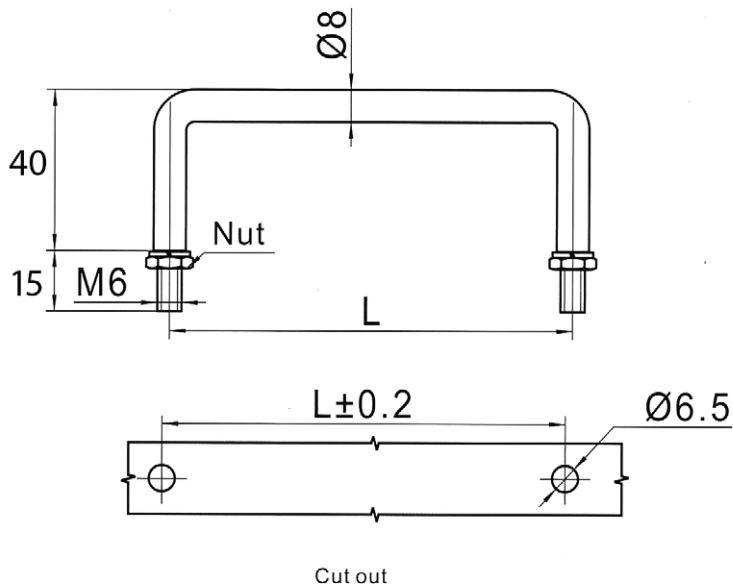


VERSION 3



VERSION	CENTRE DISTANCE	PART NUMBER
1	76mm	MT203-3S
2	102mm	MT206-4S
3	152mm	MT206-6S

STUD FIX D-PULL HANDLE



FEATURES:

- Stud fixing with M6 nut
- High quality chrome plating
- Available in various centre distances

DIMENSIONS:

Shaft Diameter = 8mm

MATERIAL & FINISH:

Material & Finish (refer to the table)

CENTRE DISTANCE	MATERIAL & FINISH	PART NUMBER
75mm	Mild steel, Chrome plated	LS507-75
100mm	Mild steel, Chrome plated	LS507-100
150mm	Mild steel, Chrome plated	LS507-150
75mm	304 Stainless steel, polished	LS507-S75
100mm	304 Stainless steel, polished	LS507-S100
150mm	304 Stainless steel, polished	LS507-S150



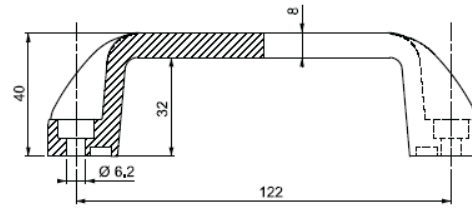
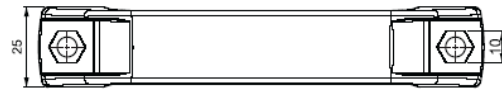
POLYAMIDE D-PULL HANDLE

FEATURES:

- Suitable for outdoor applications
- High quality material
- Mounting for M6 hex bolts

MATERIAL & FINISH:

Material Polyamide



COLOUR

Black

PART NUMBER

M086-1

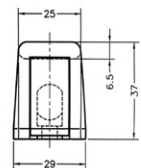
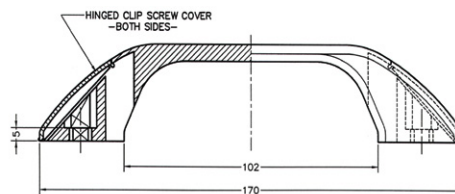
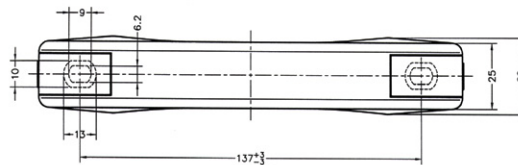
POLYAMIDE D-PULL HANDLE

FEATURES:

- Suitable for outdoor applications
- High quality material
- Mounting for M6 hex bolts

MATERIAL & FINISH:

Material Polyamide



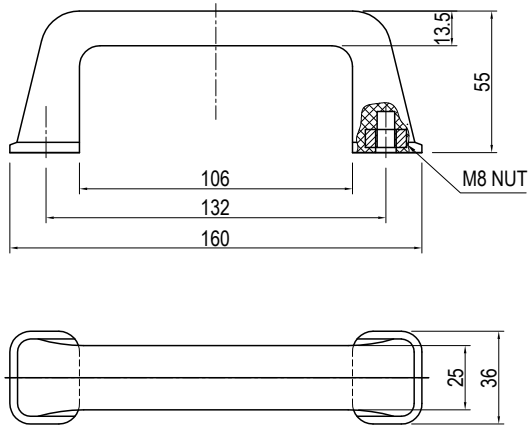
COLOUR

Black

PART NUMBER

DHPA20

HEAVY DUTY D-PULL HANDLE



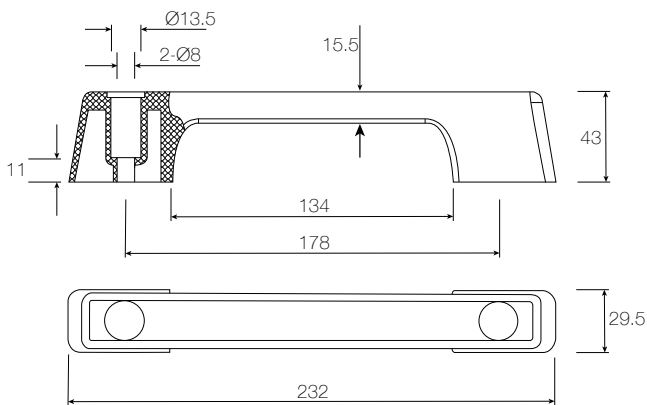
MATERIAL & FINISH:

- Black polypropylene



COLOUR	PART NUMBER
Black	LS505

POLYAMIDE D-PULL HANDLE



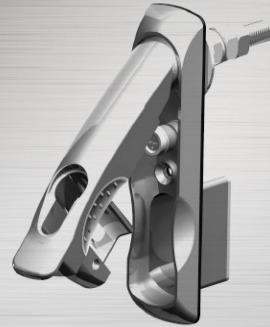
MATERIAL & FINISH:

Material Polyamide



COLOUR	PART NUMBER
Black	LS521

5



SECTION FIVE

[5-1 OVERVIEW](#)

[5-2 ESELON SERIES](#)

[5-7 IND C-SERIES](#)

[5-11 IND D-SERIES](#)

[5-12 IND E-SERIES](#)

[5-13 MILLENNIUM SERIES](#)

[5-25 MINI PADLOCKABLE SWING HANDLE](#)

[5-26 RECESSED SWING HANDLE](#)

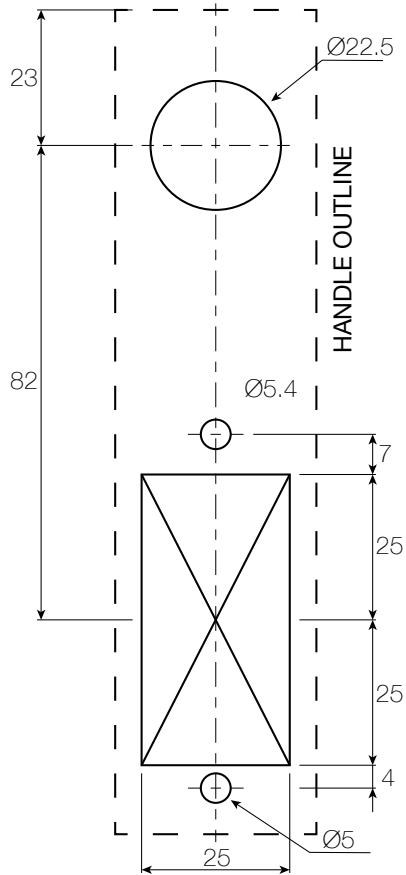
[5-27 CENTRAL LOCKING](#)

[5-28 PROFILE CYLINDER](#)

[5-29 B-CLASS LOCK ASSEMBLY](#)

[5-30 C-CLASS LOCK ASSEMBLY](#)

OVERVIEW



THE FLEXIBILITY OF THE SELECTRIX CUT OUT

With the **SELECTLOK**® range of swing handles, one cut out does it all!! Whether it's a key lockable option, a pad lock or a high security application, the flexibility of the **SELECTRIX**® cut out allows you to choose the ideal option for your application.

FEATURES

- IP65 rated for weather-proof applications
- Vandal resistant construction
- High security
- Flush fitting
- Park position with "click"

KEY NUMBER	"##" CODE
CL001	01
92268	02
604	03
CL003	07
144	11
320	14
FS880	20
MIXED	OM
NON LOCKING	14N

ESELON SERIES EURO PROFILE CYLINDER SWING HANDLE



FEATURES:

- Vandal resistant
- Park position with “click”
- Sleek, modern design
- Suits 40mm profile cylinders
- IP65 rated
- 90° left & right stopper

DIMENSIONS:

Shaft Length = 68mm
Square size = 8mm

MATERIAL & FINISH:

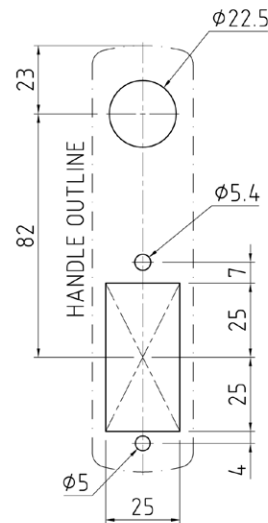
Handle Zinc die
Base Zinc die
Shaft Mild steel, Zinc plated

STANDARD CAMS AVAILABLE:

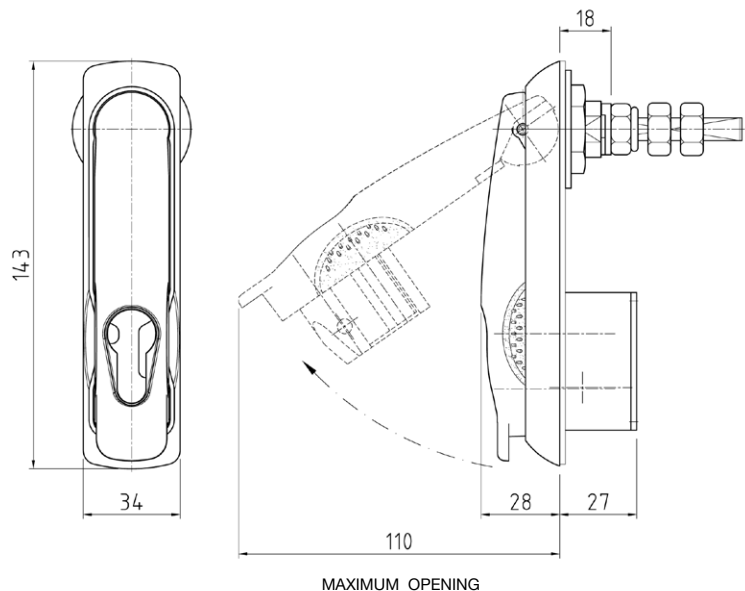
- [1000-1586 Single point](#)
- [1000-1587 3 point with adapters](#)
- [1000-1588 3 point without adapters](#)
- [1000-1592 Internal handle](#)
- [P2535 Emergency internal handle](#)
- [Roller cams refer to page 3-1](#)

PROFILE CYLINDER:

Shaft Length = 68



SELECTRIX® cut out

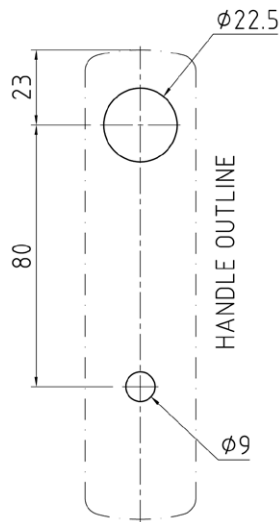


MAXIMUM OPENING

BASE FINISH	HANDLE FINISH	PART NUMBER
Black EDP coated	Black EDP coated	1107SBBU3N
Black EDP coated	Chrome plated	1107SBCU3N
Chrome plated	Chrome plated	1107SCCU3N



ESELON SERIES PADLOCKABLE SWING HANDLE



SELECTRIX® cut out

FEATURES:

- Vandal resistant
- Suits padlock up to 13mm
- Park position with “click”
- Sleek, modern design
- IP65 rated
- 90° left & right stopper

DIMENSIONS:

Shaft Length = 68mm
 Square size = 8mm

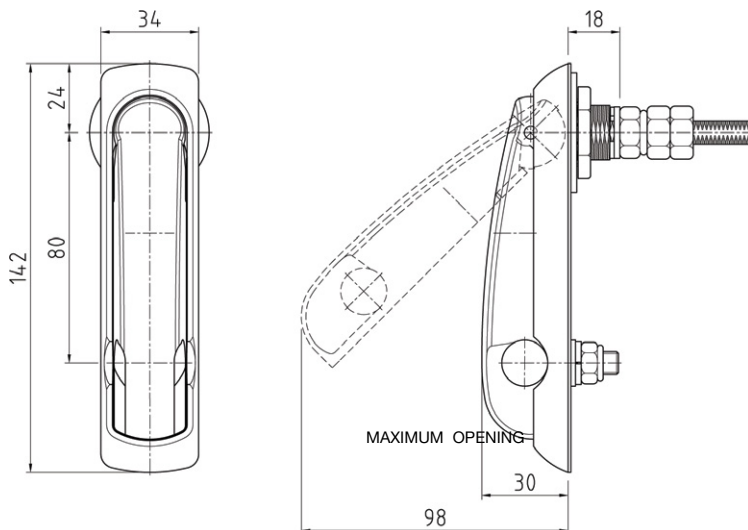
MATERIAL & FINISH:

Handle Zinc die
 Base Zinc die
 Shaft Mild steel, Zinc plated
 Hasp Hardened Forged steel, Chrome plated

* [Stainless steel range refer to page 5-5](#)

STANDARD CAMS AVAILABLE:

- [1000-1586 Single point](#)
- [1000-1587 3 point with adapters](#)
- [1000-1588 3 point without adapters](#)
- [1000-1592 Internal handle](#)
- [P2535 Emergency internal handle](#)
- [Roller cams refer to page 3-1](#)



BASE FINISH	HANDLE FINISH	PART NUMBER
Black EDP coated	Black EDP coated	1107SBB04N
Black EDP coated	Chrome plated	1107SBC04N
Chrome plated	Chrome plated	1107SCC04N



ESELON SERIES

STAINLESS STEEL

PADLOCKABLE

SWING HANDLE



FEATURES:

- Vandal resistant
- Suits padlock up to 13 mm
- Park position with “click”
- Semi flush
- IP65 rating
- 90° left & right stopper

DIMENSIONS:

Shaft Length = 68mm
 Square size = 8mm

MATERIAL & FINISH:

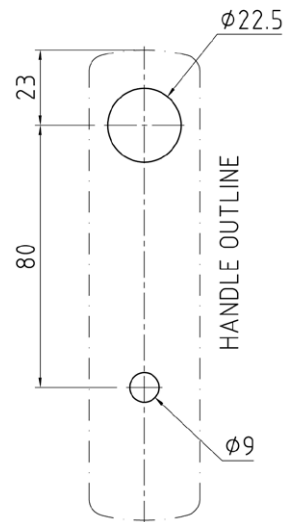
Handle & Base Stainless steel cast alloy CF-8M (equivalent to wrought stainless steel AISI 316)

Shaft Stainless steel 316

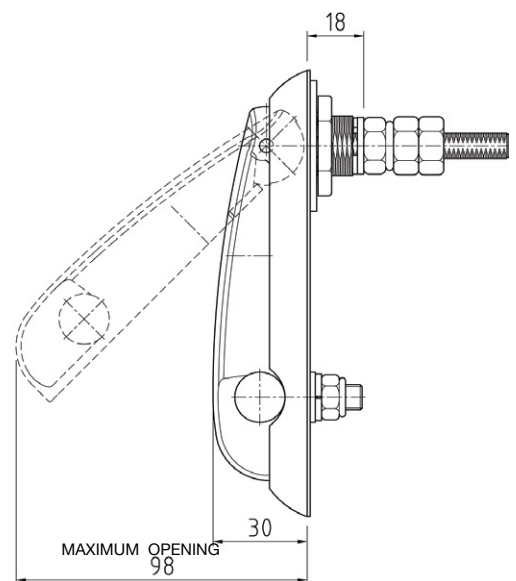
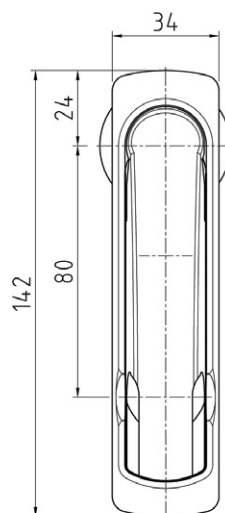
Hasp Stainless steel 316

STANDARD CAMS AVAILABLE:

- [1000-1586 Single point](#)
- [1000-1587 3 point with adapters](#)
- [1000-1588 3 point without adapters](#)
- [1000-1587-SS 3 point with adapters](#)
- [1000-1588-SS 3 point without adapters](#)
- [1000-1592 Internal handle](#)
- [P2535 Emergency internal handle](#)
- [Roller cams refer to page 3-1](#)



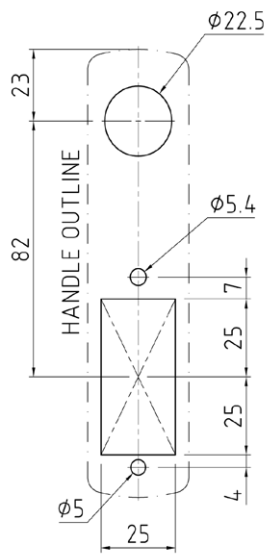
SELECTRIX® cut out



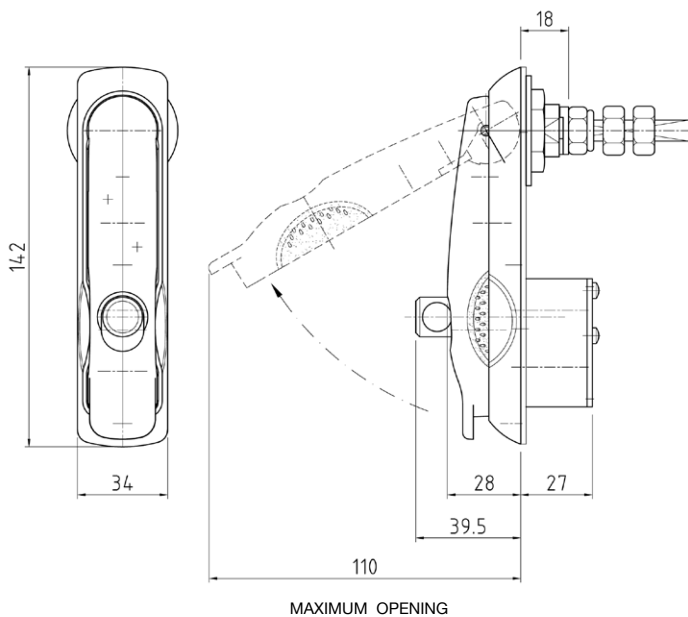
BASE FINISH	HANDLE FINISH	PART NUMBER
Mirror-like finish	Mirror-like finish	1107SSS04N



ESELON SERIES PADLOCKABLE SWING HANDLE



SELECTRIX® cut out



MAXIMUM OPENING

FEATURES:

- Vandal resistant
- Semi flush
- Park position with “click”
- IP65 rated
- Suits padlock up to 10mm
- 90° left & right stopper

DIMENSIONS:

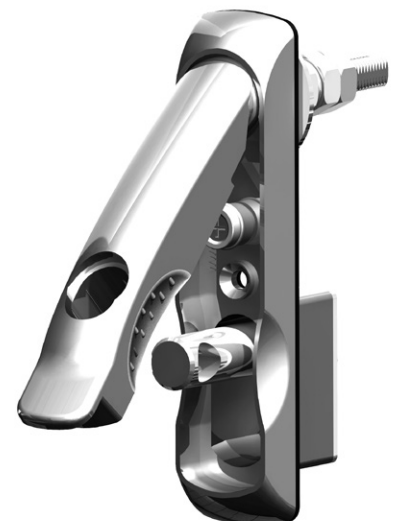
Shaft Length = 68mm
Square size = 8mm

MATERIAL & FINISH:

Handle Zinc die
Base Zinc die
Shaft Mild steel, Zinc plated

STANDARD CAMS AVAILABLE:

- [1000-1586 Single point](#)
- [1000-1587 3 point with adapters](#)
- [1000-1588 3 point without adapters](#)
- [1000-1592 Internal handle](#)
- [P2535 Emergency internal handle](#)
- [Roller cams refer to page 3-1](#)



BASE FINISH	HANDLE FINISH	PART NUMBER
Chrome plated	Chrome plated	1107SCCU3N-PAD

IND-C SERIES EURO PROFILE CYLINDER SWING HANDLE

FEATURES:

- Vandal resistant
- Park position with “click”
- Semi flush
- IP65 rated
- Suits 40mm profile cylinders
- Suits rod latch

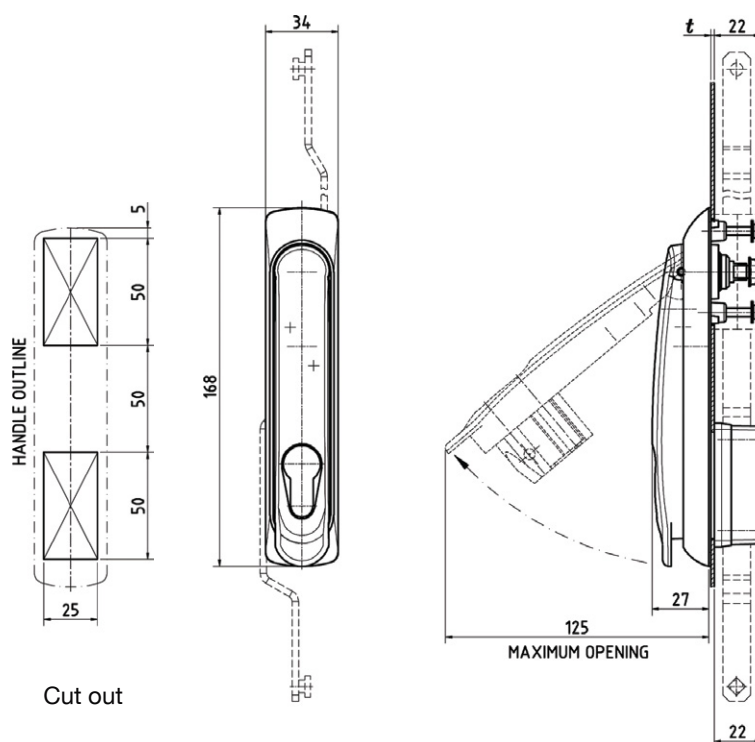
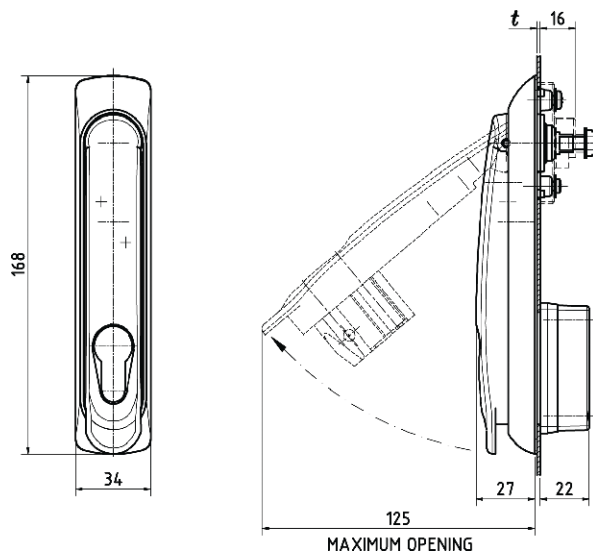
MATERIAL & FINISH:

Handle	Zinc die
Base	Zinc die
Shaft	Mild steel, Zinc plated
Cover	Black polyamide

STANDARD LATCH/CAMS AVAILABLE:

- [Single point cam with various “H” dimension](#)
- [Roller cams refer to page 3-1](#)

Product with part number :
1107SCCU3-IND-C “PASS” IP65 Test



Cut out

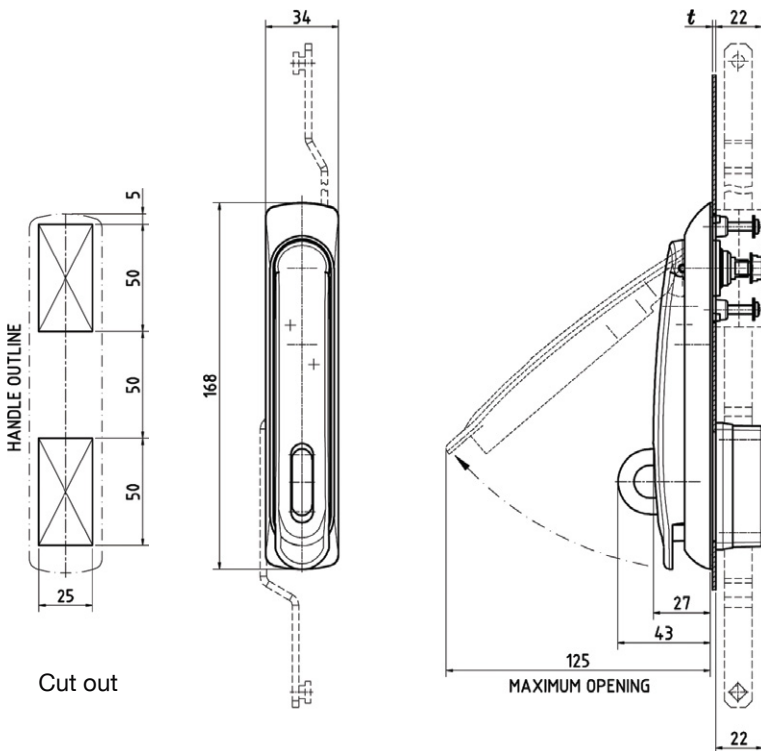
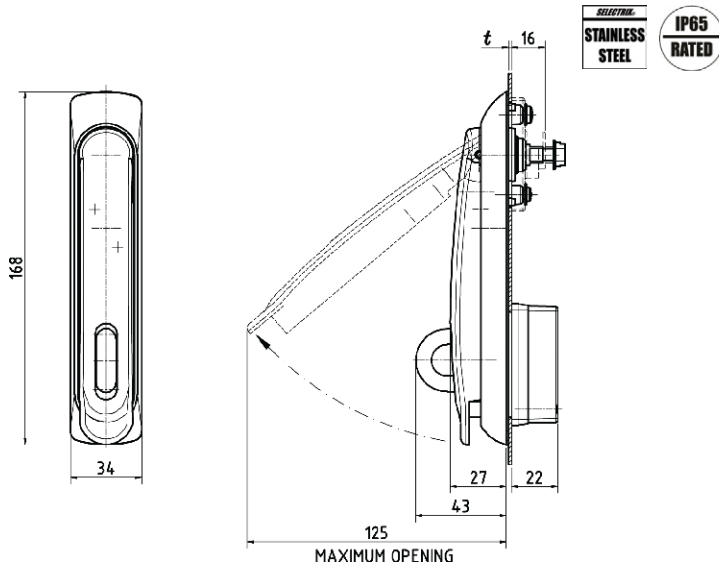
KIT	ANGLE OF ROTATION	PART NUMBER
Rectangular Boss without Stopper and Shaft Adapter	360°	PI5285-KIT
Rectangular Boss with Stopper and Shaft Adapter	180°	PI5285-KIT-1

* Kit sold separately

Door Material Thickness t (mm) $1.5 \leq t < 2.5^*$

BASE FINISH	HANDLE FINISH	PART NUMBER
Black EDP coated	Black EDP coated	1107SBBU3-IND-C
Chrome plated	Chrome plated	1107SCCU3-IND-C

* Add Shaft Spacer (Part No. PI5285-06) For 2.5-3.5mm Door Material Thickness (Sold Separately)



IND-C SERIES PADLOCKABLE SWING HANDLE

FEATURES:

- Vandal resistant
- Park position with “click”
- Semi flush
- IP65 rated
- Suits padlock up to 13mm
- Suits rod latch

MATERIAL & FINISH:

Handle	Zinc die
Base	Zinc die
Shaft	Mild steel, Zinc plated
Cover	Black polyamide

STANDARD LATCH/CAMS AVAILABLE:

- [Single point cam with various “H” dimension](#)
- [HMS103C-1-1 Rod latch mechanism with square quick fit stubs](#)
- [HMS103C-1-1-R Rod latch mechanism with round rod stubs](#)
- [Roller cams refer to page 3-1](#)

Product with part number :
1107SBB04-IND-C “PASS” IP65 Test

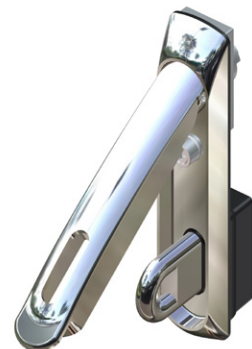
KIT	ANGLE OF ROTATION	PART NUMBER
Rectangular Boss without Stopper and Shaft Adapter	360°	PI5285-KIT
Rectangular Boss with Stopper and Shaft Adapter	180°	PI5285-KIT-1

* Kit sold separately

Door Material Thickness t (mm) $1.5 \leq t < 2.5^*$

BASE FINISH	HANDLE FINISH	PART NUMBER
Black EDP coated	Black EDP coated	1107SBB04-IND-C
Chrome plated	Chrome plated	1107SCC04-IND-C
Stainless Steel	Stainless steel	1107SSS04-IND-C

* Add Shaft Spacer (Part No. PI5285-06) For 2.5-3.5mm Door Material Thickness (Sold Separately)



IND-C SERIES

ECONOMY BARREL SWING HANDLE



FEATURES:

- Vandal resistant
- Park position with “click”
- Semi flush
- IP65 rated
- Available in many key combinations
- Suits rod latch

MATERIAL & FINISH:

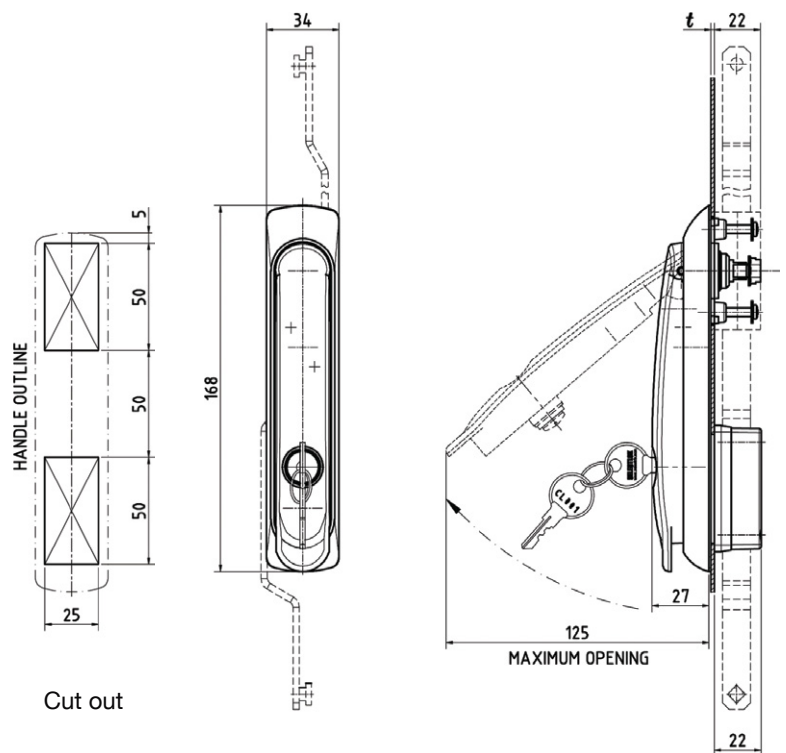
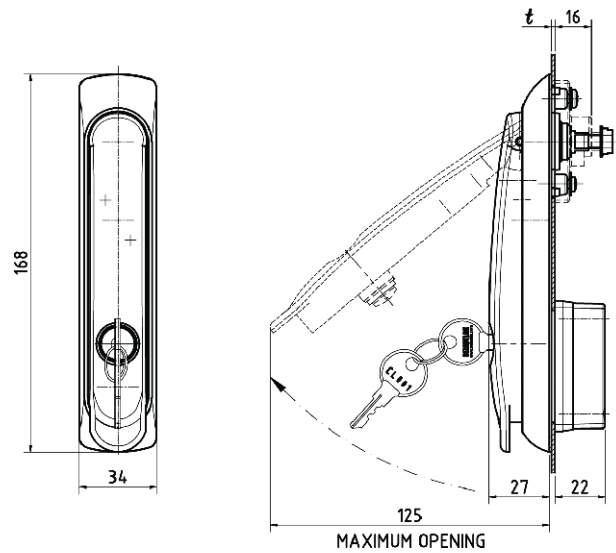
Handle	Zinc die
Base	Zinc die
Shaft	Mild steel, Zinc plated
Cover	Black polyamide

STANDARD LATCH/CAMS AVAILABLE:

- [Single point cam with various “H” dimension](#)
- [HMS103C-1-1 Rod latch mechanism with square quick fit stubs](#)
- [HMS103C-1-1-R Rod latch mechanism with round rod stubs](#)
- [Roller cams refer to page 3-1](#)

Product with part number :
1107SCCU3-IND-C-xx “PASS” IP65
Test

“##” Denotes key number [refer to page 5-1](#)



Cut out

KIT	ANGLE OF ROTATION	PART NUMBER
Rectangular Boss without Stopper and Shaft Adapter	360°	PI5285-KIT
Rectangular Boss with Stopper and Shaft Adapter	180°	PI5285-KIT-1

* Kit sold separately

Door Material Thickness t (mm) $1.5 \leq t < 2.5^*$

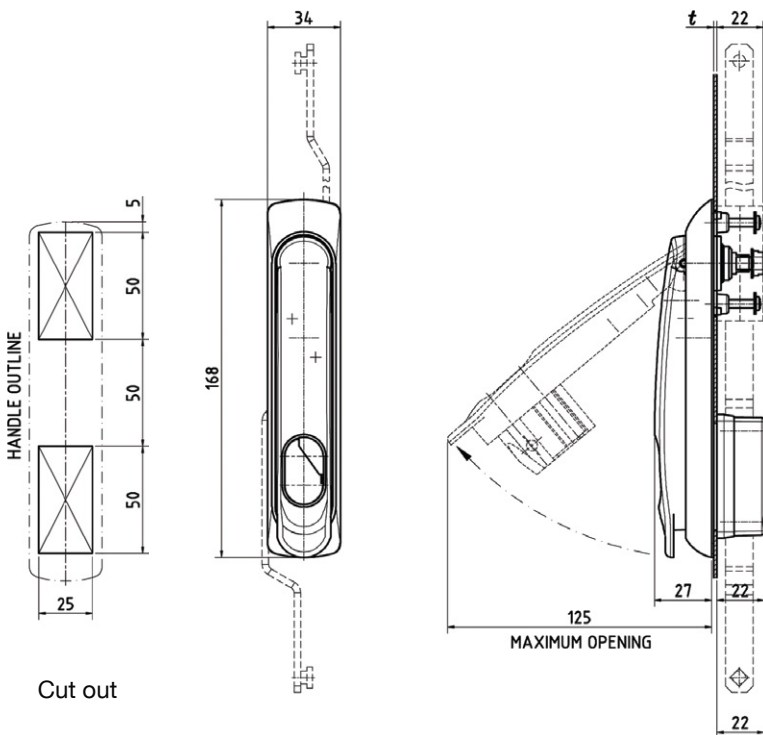
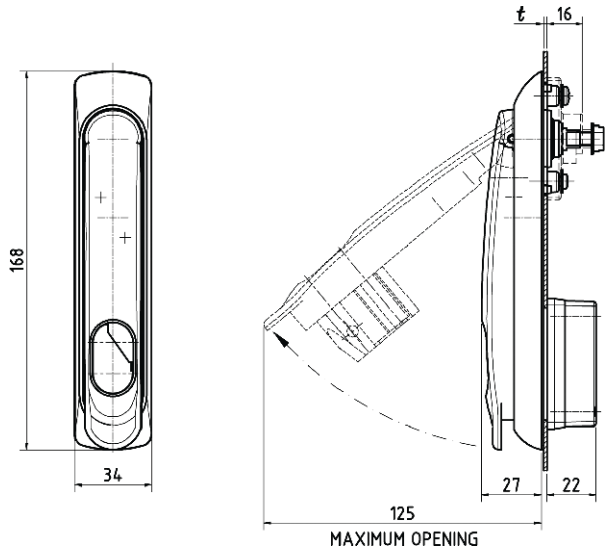
BASE FINISH	HANDLE FINISH	PART NUMBER
Black EDP coated	Black EDP coated	1107SBBU3-IND-C-##
Black EDP coated	Chrome plated	1107SBCU3-IND-C-##
Chrome plated	Chrome plated	1107SCCU3-IND-C-##

* Add Shaft Spacer (Part No. PI5285-06) For 2.5-3.5mm Door Material Thickness (Sold Separately)



IND-C SERIES

AUSTRALIAN OVAL PROFILE CYLINDER SWING HANDLE



FEATURES:

- Vandal resistant
- Park position with “click”
- Semi flush
- IP65 rated
- Suits Australian oval profile cylinders
- Suits rod latch

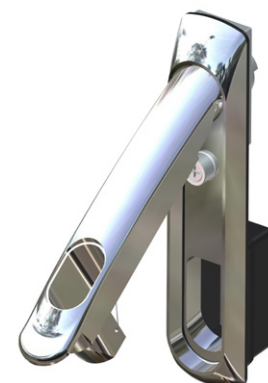
MATERIAL & FINISH:

Handle	Zinc die
Base	Zinc die
Shaft	Mild steel, Zinc plated
Cover	Black polyamide

STANDARD LATCH/CAMS AVAILABLE:

- [Single point cam with various “H” dimension](#)
- [HMS103C-1-1 Rod latch mechanism with square quick fit stubs](#)
- [HMS103C-1-1-R Rod latch mechanism with round rod stubs](#)
- [Roller cams refer to page 3-1](#)

Product with part number :
1107SCCA3-IND-C-xx “PASS” IP65 Test



KIT	ANGLE OF ROTATION	PART NUMBER
Rectangular Boss without Stopper and Shaft Adapter	360°	PI5285-KIT
Rectangular Boss with Stopper and Shaft Adapter	180°	PI5285-KIT-1

* Kit sold separately

Door Material Thickness t (mm) $1.5 \leq t < 2.5^*$

BASE FINISH	HANDLE FINISH	PART NUMBER
Black EDP coated	Black EDP coated	1107SBBA3-IND-C
Chrome plated	Chrome plated	1107SCCA3-IND-C

* Add Shaft Spacer (Part No. PI5285-06) For 2.5-3.5mm Door Material Thickness (Sold Separately)

IND-D SERIES SWING HANDLE



FEATURES:

- RH or LH application
- 90° rotation
- Lockable with cylinder barrel
- U-shaped fastening bracket
- Fully flush design
- IP65 rated
- Spring loaded handle
- Push button

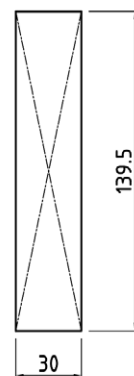
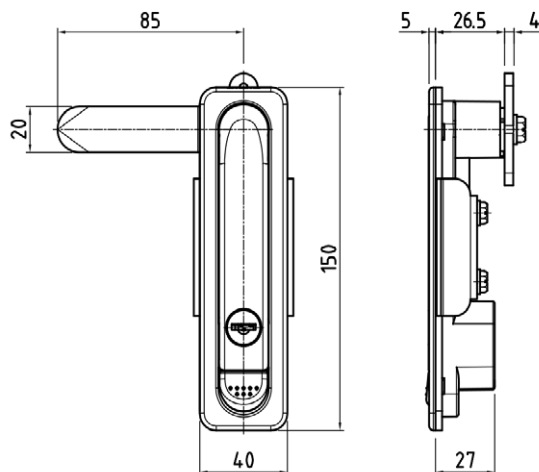
MATERIAL & FINISH:

Handle	Zinc die
Base	Zinc die
Bracket	Mild steel, Zinc plated

STANDARD CAMS AVAILABLE:

- Single cam with various "H" dimension [refer to page 1-14](#)
- Three point cams [refer to page 3-5](#)
- Roller cams [refer to page 3-1](#)

"##" Denotes key number [refer to page 5-1](#)



CUT-OUT



BASE FINISH	HANDLE FINISH	PART NUMBER
Chrome plated	Chrome plated	1107SCCU3-IND-D-##



IND-E SERIES SWING HANDLE

FEATURES:

- RH or LH application
- 90° rotation
- Lockable with cylinder barrel
- U-shaped fastening bracket
- Fully flush design
- IP65 rated
- Spring loaded handle
- Push button

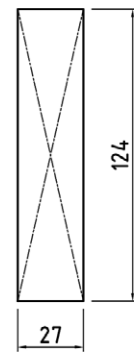
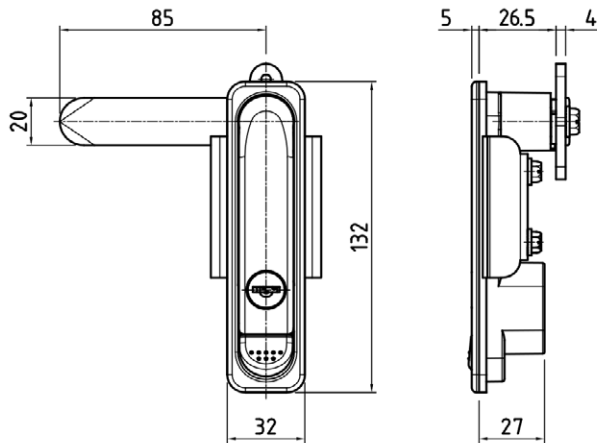
MATERIAL & FINISH:

Handle Zinc die
Base Zinc die
Bracket Mild steel, Zinc plated

STANDARD CAMS AVAILABLE:

- Single cam with various "H" dimension [refer to page 1-14](#)
- Three point cams [refer to page 3-5](#)
- Roller cams [refer to page 3-1](#)

"##" Denotes key number [refer to page 5-1](#)



CUT-OUT



BASE FINISH	HANDLE FINISH	PART NUMBER
Chrome plated	Chrome plated	1107SCCU3-IND-E-##

MILLENNIUM SERIES EURO PROFILE CYLINDER SWING HANDLE



FEATURES:

- Vandal resistant
- Park position with “click”
- Semi flush
- IP65 rated
- Suits 40mm profile cylinders
- 90° left & right stopper
- Push Button

DIMENSIONS:

Shaft Length = 68mm
Square size = 8mm

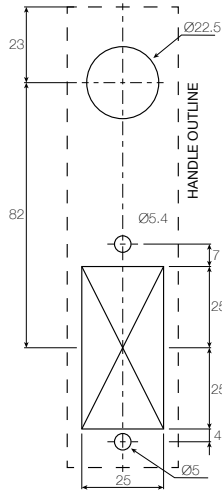
MATERIAL & FINISH:

Handle Zinc die
Base Zinc die
Shaft Mild steel, Zinc plated

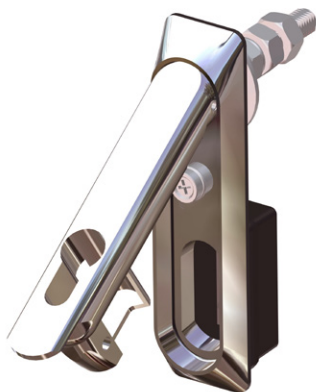
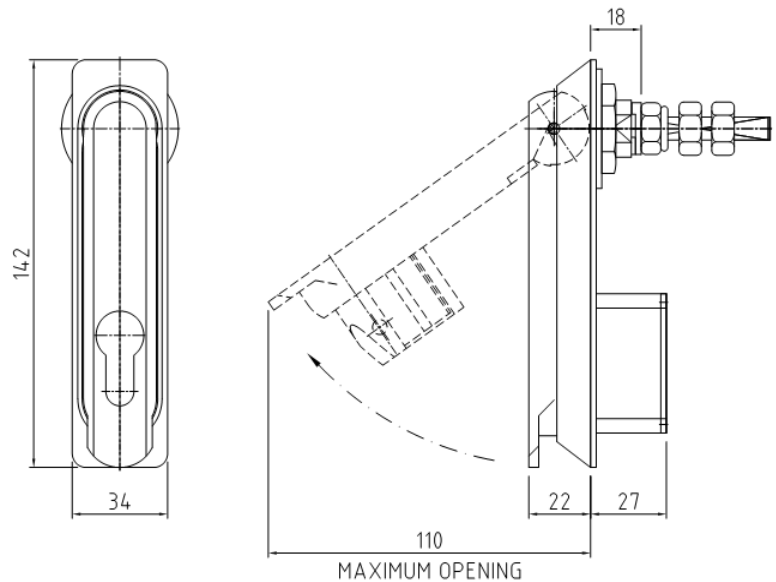
STANDARD CAMS AVAILABLE:

- [1000-1586](#) Single point
- [1000-1587](#) 3 point with adapters
- [1000-1588](#) 3 point without adapters
- [1000-1592](#) Internal handle
- [P2535](#) Emergency internal handle
- [Roller cams refer to page 3-1](#)

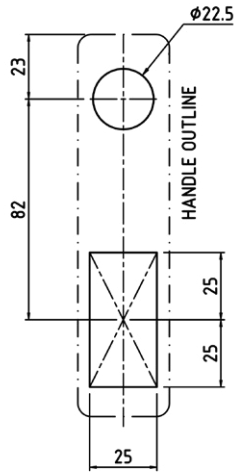
Stainless steel [refer to page 5-14](#)



SELECTRIX® cut out



BASE FINISH	HANDLE FINISH	PART NUMBER
Black EDP coated	Black EDP coated	1107SBBU3
Black EDP coated	Chrome plated	1107SBCU3
Chrome Plated	Chrome Plated	1107SCCU3



SELECTRIX® cut out

MILLENNIUM SERIES STAINLESS STEEL EURO PROFILE CYLINDER SWING HANDLE

FEATURES:

- Vandal resistant
- Park position with “click”
- Semi flush
- IP65 rated
- Suits 40mm profile cylinders
- 90° left & right stopper
- Push Button

DIMENSIONS:

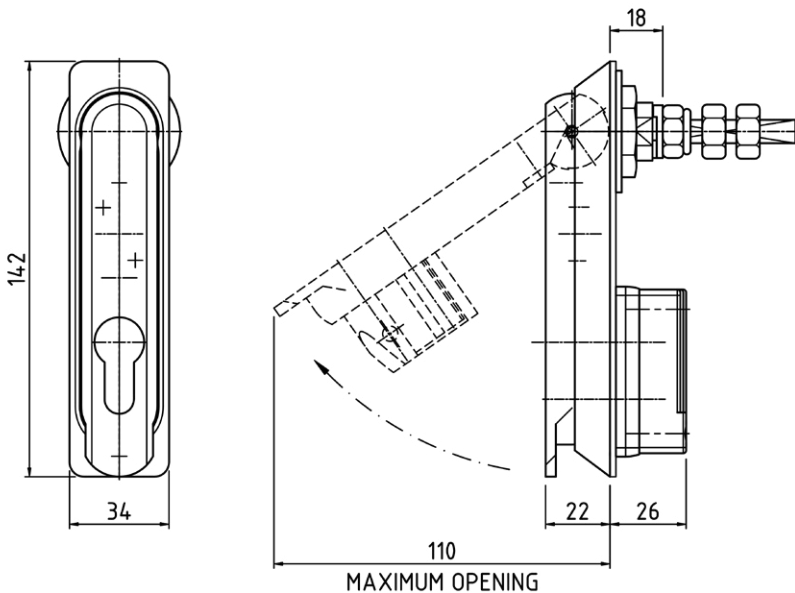
Shaft Length = 68mm
Square size = 8mm
Half euro profile cylinder

MATERIAL & FINISH:

Handle & Base
Stainless steel cast alloy CF-8M
(equivalent to wrought stainless steel
AISI 316)
Shaft Stainless steel 316

STANDARD CAMS AVAILABLE:

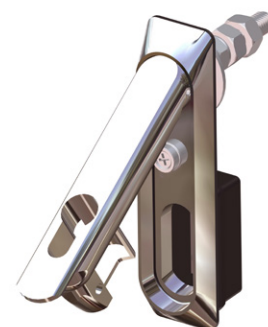
- [1000-1586](#) Single point
- [1000-1587](#) 3 point with adapters
- [1000-1588](#) 3 point without adapters
- [1000-1587-SS](#) 3 point with adapters
- [1000-1588-SS](#) 3 point without adapters
- [1000-1592](#) Internal handle
- [P2535](#) Emergency internal handle
- [Roller cams refer to page 3-1](#)



BASE FINISH	HANDLE FINISH	PART NUMBER
Mirror-like finish	Mirror-like finish	1107SSSU3

* For dust cap feature, add “D” to end of part number

Please note: Selectlok/Selectrix reserves the right to alter designs and dimensions without notice.
©Selectrix Industries Pty Ltd and Selectlok NZ Limited.



MILLENNIUM SERIES STAINLESS STEEL ECONOMY BARREL SWING HANDLE



FEATURES:

- With lock dustcover
- Vandal resistant
- Park position with “click”
- Semi flush
- IP65 rating
- Available in many key combinations
- 90° left & right stopper

DIMENSIONS:

Shaft Length = 68mm
Square size = 8mm

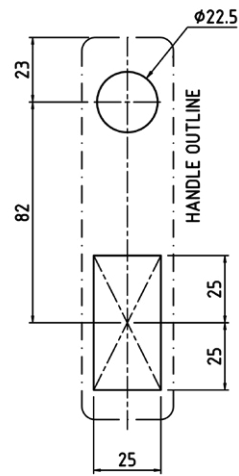
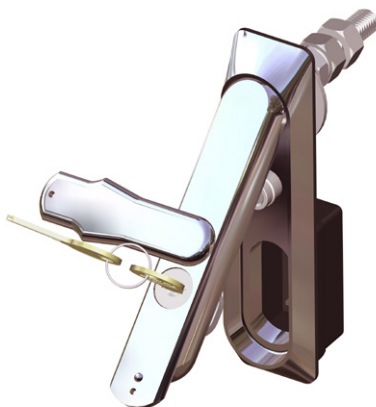
MATERIAL & FINISH:

Handle & Base Stainless steel cast alloy CF-8M (equivalent to wrought stainless steel AISI 316)

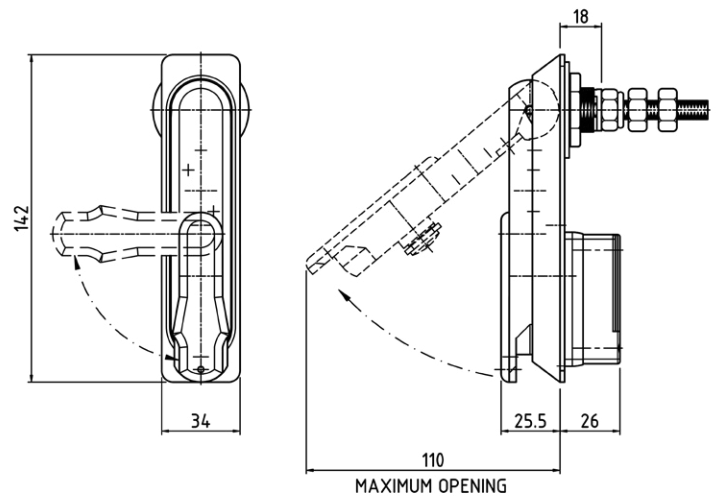
Shaft Stainless steel 316

STANDARD CAMS AVAILABLE:

- [1000-1586](#) Single point
- [1000-1587](#) 3 point with adapters
- [1000-1588](#) 3 point without adapters
- [1000-1587-SS](#) 3 point with adapters
- [1000-1588-SS](#) 3 point without adapters
- [1000-1592](#) Internal handle
- [P2535](#) Emergency internal handle
- [Roller cams refer to page 3-1](#)



SELECTRIX® cut out



BASE FINISH	HANDLE FINISH	KEY NUMBER	PART NUMBER
Mirror-like finish	Mirror-like finish	CL001	1107SSSU3-01D
Mirror-like finish	Mirror-like finish	92268	1107SSSU3-02D
Mirror-like finish	Mirror-like finish	604	1107SSSU3-03D
Mirror-like finish	Mirror-like finish	CL003	1107SSSU3-07D
Mirror-like finish	Mirror-like finish	144	1107SSSU3-11D
Mirror-like finish	Mirror-like finish	320	1107SSSU3-14D

MILLENNIUM SERIES ECONOMY BARREL PADLOCKABLE SWING HANDLE



FEATURES:

- Vandal resistant
- Key and padlockable
- Park position with “click”
- Semi flush
- Suits padlock up to 13mm
- IP65 rated
- Available in many key combinations
- 90° left & right stopper

DIMENSIONS:

Shaft Length = 68mm
Square size = 8mm

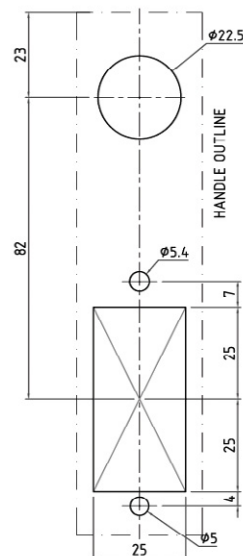
MATERIAL & FINISH:

Handle Zinc die
Base Zinc die
Shaft Mild steel, Zinc plated
Hasp Stainless steel

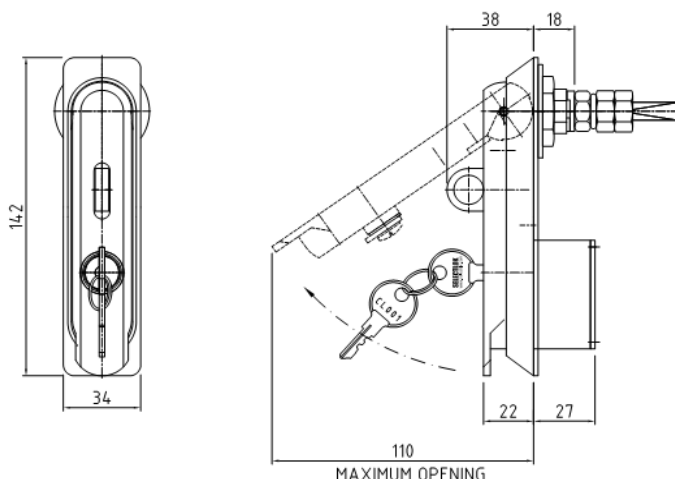
STANDARD CAMS AVAILABLE:

- [1000-1586 Single point](#)
- [1000-1587 3 point with adapters](#)
- [1000-1588 3 point without adapters](#)
- [1000-1592 Internal handle](#)
- [P2535 Emergency internal handle](#)
- [Roller cams refer to page 3-1](#)

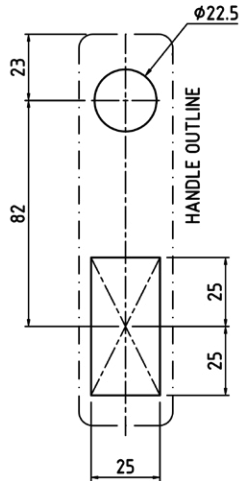
Stainless steel range available on request



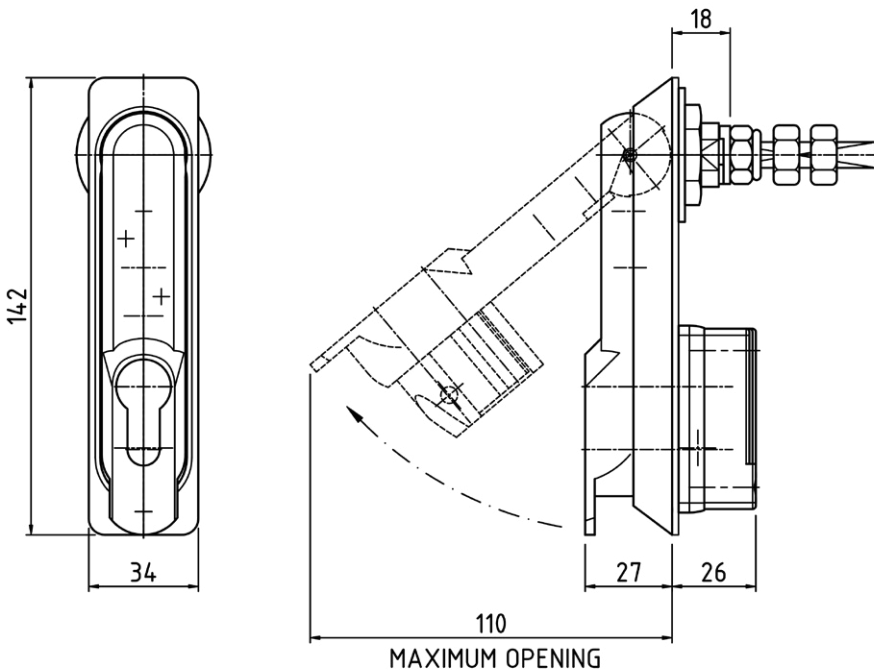
SELECTRIX® cut out



BASE FINISH	HANDLE FINISH	KEY NUMBER	PART NUMBER
Chrome plated	Chrome plated	CL001	1107SCCU3-01-PAD
Chrome plated	Chrome plated	92268	1107SCCU3-02-PAD



SELECTRIX® cut out



MILLENNIUM SERIES STAINLESS STEEL HIGH SECURITY SWING HANDLE

FEATURES:

- Vandal resistant
- Park position with “click”
- Semi flush
- IP65 rated
- Suits 45mm profile cylinders
- 90° left & right stopper

DIMENSIONS:

Shaft Length = 68mm
Square size = 8mm

MATERIAL & FINISH:

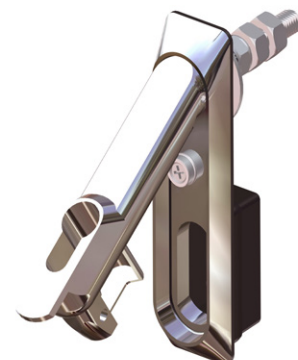
Handle & Base
Stainless steel cast alloy CF-8M
(equivalent to wrought stainless steel
AISI 316)
Shaft Stainless steel 316

STANDARD CAMS AVAILABLE:

- [1000-1586 Single point](#)
- [1000-1587 3 point with adapters](#)
- [1000-1588 3 point without adapters](#)
- [1000-1587-SS 3 point with adapters](#)
- [1000-1588-SS 3 point without adapters](#)
- [1000-1592 Internal handle](#)
- [P2535 Emergency internal handle](#)
- [Roller cams refer to page 3-1](#)

PROFILE CYLINDER:

45mm Euro Profile Cylinder



BASE FINISH	HANDLE FINISH	PART NUMBER
Mirror-like finish	Mirror-like finish	1107SSSU3-45

MILLENNIUM SERIES NON LOCKING SWING HANDLE



FEATURES:

- Semi flush
- Park position with “click”
- IP65 rated
- 90° left & right stopper

DIMENSIONS:

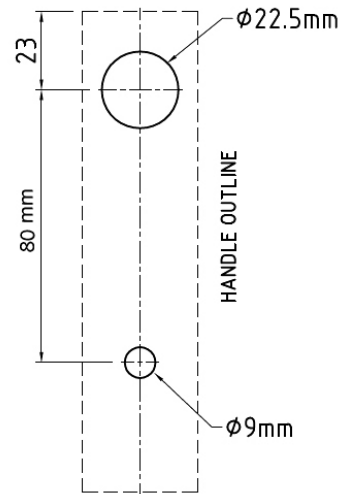
Shaft Length = 68mm
Square size = 8mm

MATERIAL & FINISH:

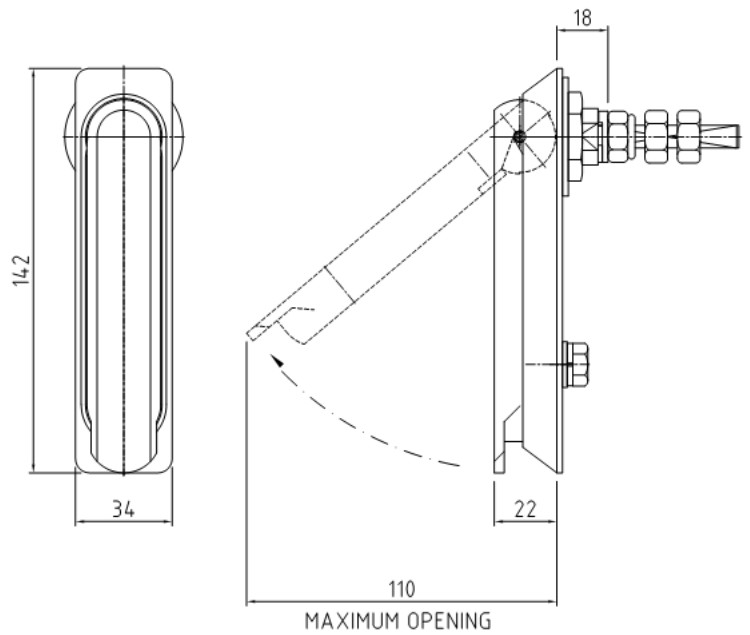
Handle Zinc die
Base Zinc die
Shaft Mild steel, Zinc plated

STANDARD CAMS AVAILABLE:

- [1000-1586](#) Single point
- [1000-1587](#) 3 point with adapters
- [1000-1588](#) 3 point without adapters
- [1000-1592](#) Internal handle
- [P2535](#) Emergency internal handle
- [Roller cams refer to page 3-1](#)



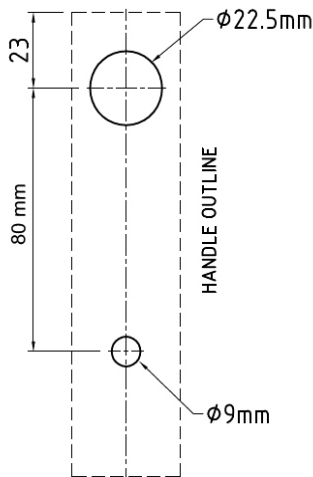
SELECTRIX® cut out



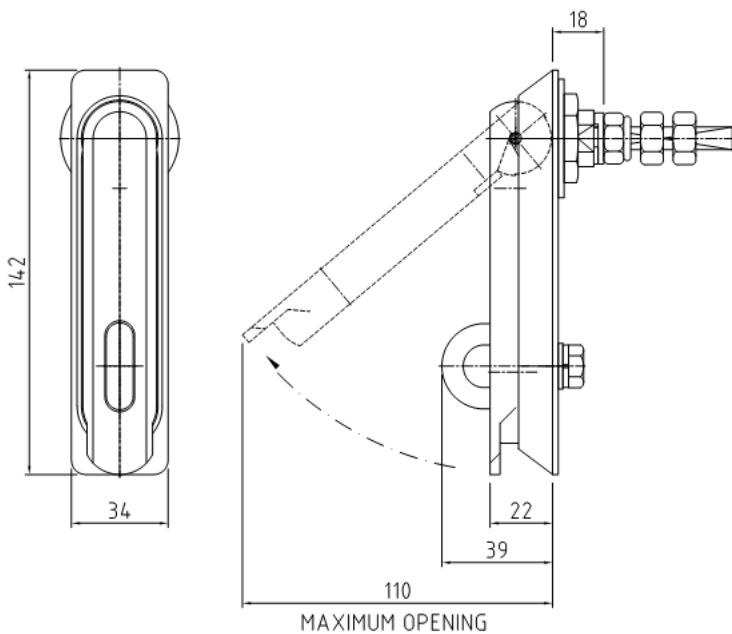
BASE FINISH	HANDLE FINISH	PART NUMBER
Chrome plated	Chrome plated	1107SCC14



MILLENNIUM SERIES PADLOCKABLE SWING HANDLE



SELECTRIX® cut out



FEATURES:

- Vandal resistant
- Park position with “click”
- Semi flush
- IP65 rated
- 13mm hasp-new cut-resistant material
- Suits padlock up to 13mm
- 90° left & right stopper

DIMENSIONS:

Shaft Length = 68mm
 Square size = 8mm

MATERIAL & FINISH:

Handle Zinc die
 Base Zinc die
 Shaft Mild steel, Zinc plated
 Hasp Stainless Steel

STANDARD CAMS AVAILABLE:

- [1000-1586](#) Single point
- [1000-1587](#) 3 point with adapters
- [1000-1588](#) 3 point without adapters
- [1000-1592](#) Internal handle
- [P2535](#) Emergency internal handle
- [Roller cams refer to page 3-1](#)

Stainless steel range [refer to page 5-23](#)



BASE FINISH	HANDLE FINISH	PART NUMBER
Black EDP coated	Black EDP coated	1107SBB04
Black EDP coated	Chrome plated	1107SBC04
Chrome plated	Chrome plated	1107SCC04

MILLENNIUM SERIES STAINLESS STEEL PADLOCKABLE SWING HANDLE



FEATURES:

- Vandal resistant
- Semi flush
- Park position with “click”
- IP65 rated
- Suits padlock up to 13mm
- 90° left & right stopper

DIMENSIONS:

Shaft Length = 68mm
Square size = 8mm

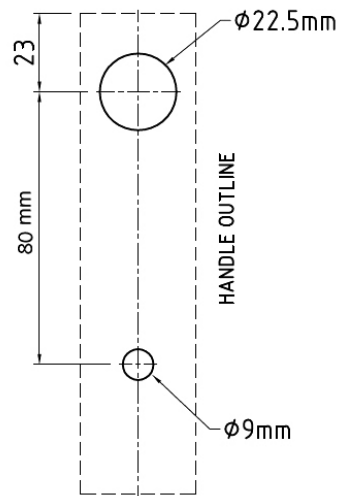
MATERIAL & FINISH:

Handle & Base
Stainless steel cast alloy CF-8M
(equivalent to wrought stainless steel
AISI 316)

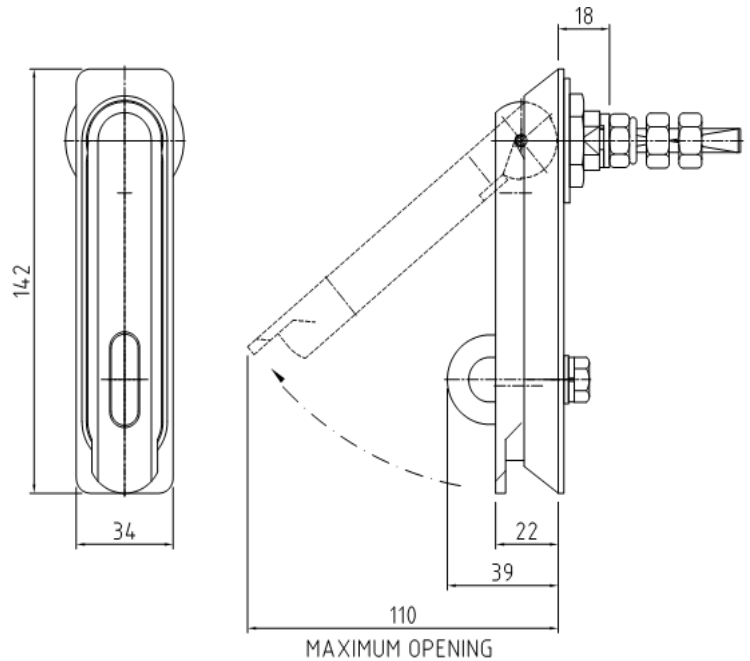
Shaft Stainless Steel 316
Hasp Stainless Steel 316

STANDARD CAMS AVAILABLE:

- [1000-1586](#) Single point
- [1000-1587](#) 3 point with adapters
- [1000-1588](#) 3 point without adapters
- [1000-1587-SS](#) 3 point with adapters
- [1000-1588-SS](#) 3 point without adapters
- [1000-1592](#) Internal handle
- [P2535](#) Emergency internal handle
- [Roller cams refer to page 3-1](#)



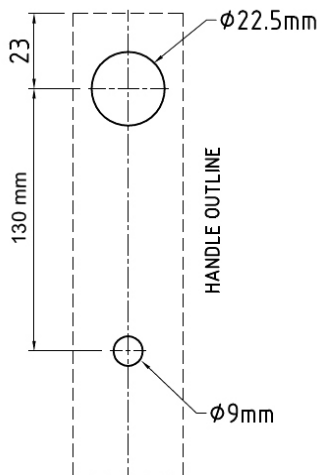
SELECTRIX® cut out



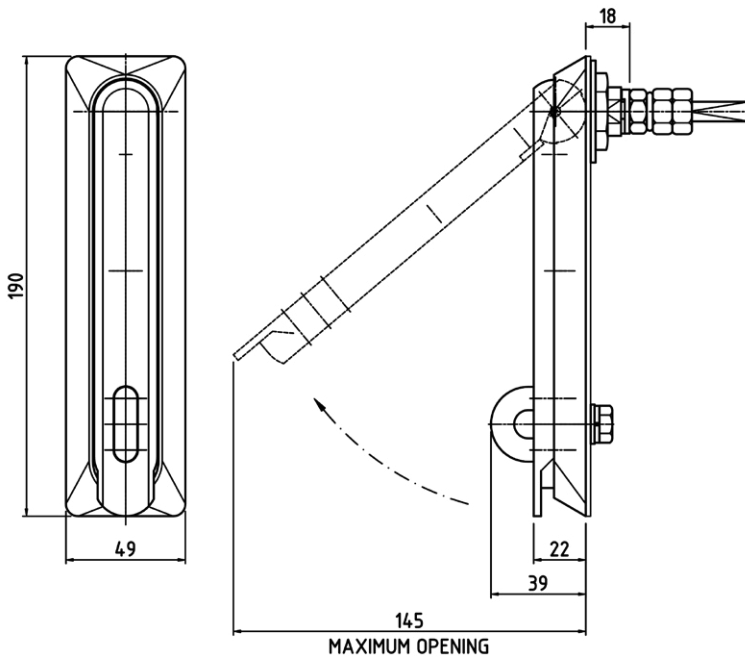
BASE FINISH	HANDLE FINISH	PART NUMBER
Mirror-like Finish	Mirror-like Finish	1107-SS02-316
Brushed	Brushed	1107-SS02-316-B



MILLENNIUM SERIES HIGH DUTY PADLOCKABLE SWING HANDLE



SELECTRIX® cut out



FEATURES:

- Vandal resistant
- Park position with “click”
- Semi flush
- IP65 rated
- 13mm hasp-new cut-resistant material
- Suits padlock up to 13mm
- 90° left & right stopper
- Stainless steel hasp

DIMENSIONS:

Shaft Length = 68mm
 Square size = 8mm

MATERIAL & FINISH:

Handle Zinc die
 Base Zinc die
 Shaft Mild steel, Zinc plated
 Hasp Stainless Steel

STANDARD CAMS AVAILABLE:

- [1000-1586](#) Single point
- [1000-1587](#) 3 point with adapters
- [1000-1588](#) 3 point without adapters
- [1000-1592](#) Internal handle
- [P2535](#) Emergency internal handle
- [Roller cams refer to page 3-1](#)



BASE FINISH	HANDLE FINISH	PART NUMBER
Black EDP coated	Chrome plated	1107-BBCH-W

MINI PADLOCKABLE SWING HANDLE



FEATURES:

- Vandal resistant
- IP65 rated
- Semi flush
- Suits padlock up to 13mm
- 13mm hasp-new cut-resistant material

DIMENSIONS:

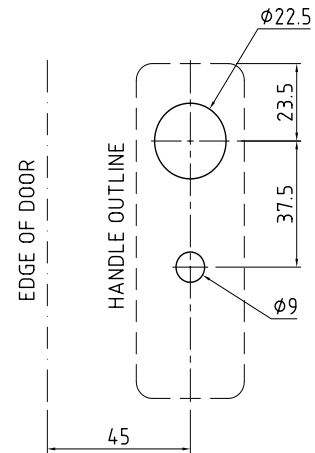
Shaft Length = 68mm
Square size = 8mm

MATERIAL & FINISH:

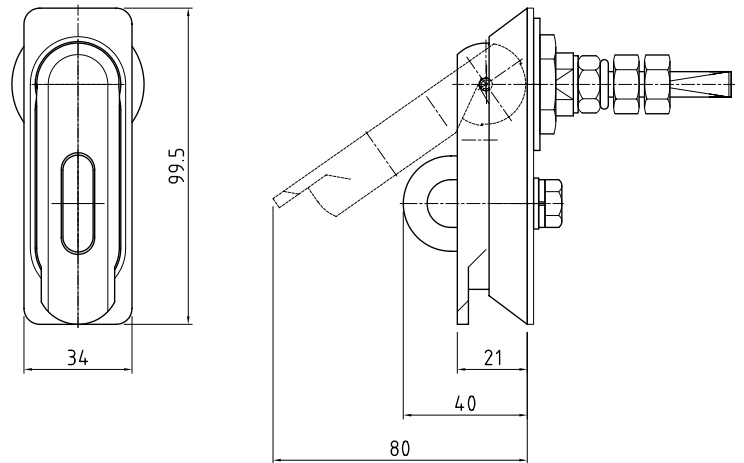
Handle Zinc die
Base Zinc die
Shaft Mild steel, Zinc plated
Hasp Hardened Forged steel, Chrome plated

STANDARD CAMS AVAILABLE:

- [1000-1586 Single point](#)
- [1000-1587 3 point with adapters](#)
- [1000-1588 3 point without adapters](#)
- [1000-1592 Internal handle](#)
- [P2535 Emergency internal handle](#)
- [Roller cams refer to page 3-1](#)



SELECTRIX® cut out

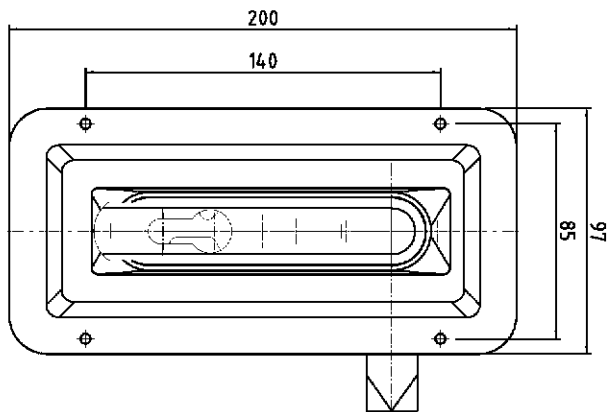
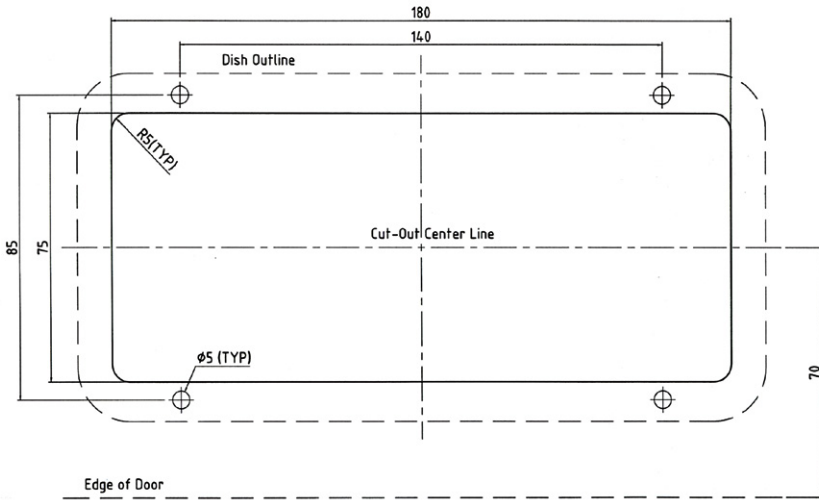


MAXIMUM OPENING

BASE FINISH	HANDLE FINISH	PART NUMBER
Zinc die cast	Black EDP coated	1107MBB04
Zinc die cast	Chrome plated	1107MCC04
Stainless steel	Stainless steel	1107MSS02-304

For Stainless steel hasp add "W" to end of part number

RECESSED SWING HANDLE



FEATURES:

- Vandal resistant
- Park position with “click”
- IP65 rated
- Semi flush
- Easy cutout
- Stainless steel dish
- 90° left & right stopper

DIMENSIONS:

Shaft Length = 68mm
Square size = 8mm

MATERIAL & FINISH:

Handle & Base Zinc die, Chrome plated
Shaft Mild steel, Zinc plated
Dish Stainless steel

STANDARD CAMS AVAILABLE:

- [1000-1586](#) Single point
- [1000-1587](#) 3 point with adapters
- [1000-1588](#) 3 point without adapters
- [1000-1592](#) Internal handle
- [P2535](#) Emergency internal handle
- [Roller cams refer to page 3-1](#)

Stainless steel range available on request



DESCRIPTION	STYLE	PART NUMBER
Dish		P2579-650-15
Swing handle		1107SCCU3
Profile cylinder		211-9106-60xxx
Gasket for dish	Foam style	P2579-650-17
Gasket for dish	Rubber style	P2579-650-17-R

CENTRAL LOCKING SWING HANDLE



FEATURES:

- Electrically actuated
- Park position with “click”
- Can be connected to vehicles existing system
- Key override (lock/unlock)
- 2 wire connection - 12 volt DC
- 90° left & right stopper

DIMENSIONS:

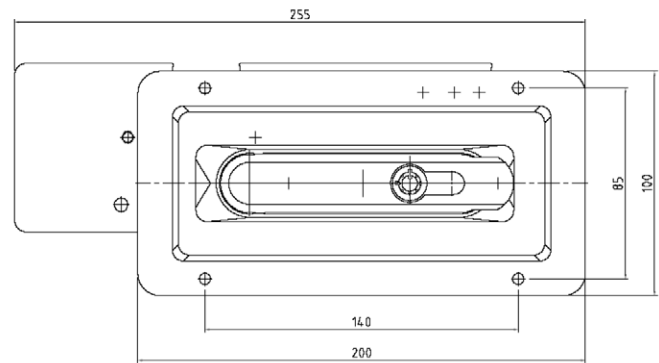
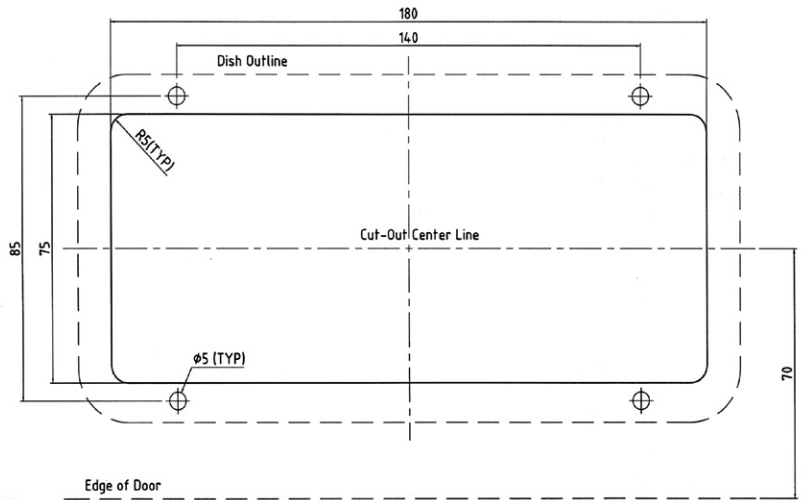
Shaft Length = 68mm
Square size = 8mm

MATERIAL & FINISH:

Handle & Base Zinc die, Chrome plated
Shaft Mild steel, Zinc plated
Dish Stainless steel

STANDARD CAMS AVAILABLE:

- [1000-1586](#) Single point
- [1000-1587](#) 3 point with adapters
- [1000-1588](#) 3 point without adapters
- [1000-1592](#) Internal handle
- [P2535](#) Emergency internal handle
- [Roller cams refer to page 3-1](#)



KEY NUMBER	PART NUMBER	KEY NUMBER	PART NUMBER
M60201	1107SCCU3-EL-01	M60211	1107SCCU3-EL-11
M60202	1107SCCU3-EL-02	M60212	1107SCCU3-EL-12
M60203	1107SCCU3-EL-03	M60213	1107SCCU3-EL-13
M60204	1107SCCU3-EL-04	M60214	1107SCCU3-EL-14
M60205	1107SCCU3-EL-05	M60215	1107SCCU3-EL-15
M60206	1107SCCU3-EL-06	M60216	1107SCCU3-EL-16
M60207	1107SCCU3-EL-07	M60217	1107SCCU3-EL-17
M60208	1107SCCU3-EL-08	M60218	1107SCCU3-EL-18
M60209	1107SCCU3-EL-09	M60219	1107SCCU3-EL-19
M60210	1107SCCU3-EL-10	M60220	1107SCCU3-EL-20

PROFILE CYLINDER



FEATURES:

- High security
- Master keyed
- Slam shut
- 20 key code available
- Suits any profile cylinder handle

* Please note: handle not supplied with profile cylinder

MATERIAL & FINISH:

Cylinder Zinc die, Chrome plated

KEY NUMBER	PART NUMBER
M60201	211-9106-60201
M60202	211-9106-60202
M60203	211-9106-60203
M60204	211-9106-60204
M60205	211-9106-60205
M60206	211-9106-60206
M60207	211-9106-60207
M60208	211-9106-60208
M60209	211-9106-60209
M60210	211-9106-60210
M60211	211-9106-60211
M60212	211-9106-60212
M60213	211-9106-60213
M60214	211-9106-60214
M60215	211-9106-60215
M60216	211-9106-60216
M60217	211-9106-60217
M60218	211-9106-60218
M60219	211-9106-60219
M60220	211-9106-60220



Photo above shows 211-9106 style profile cylinder with [1107SCCU3 handle](#)

B-CLASS LOCK ASSEMBLY

FEATURES:

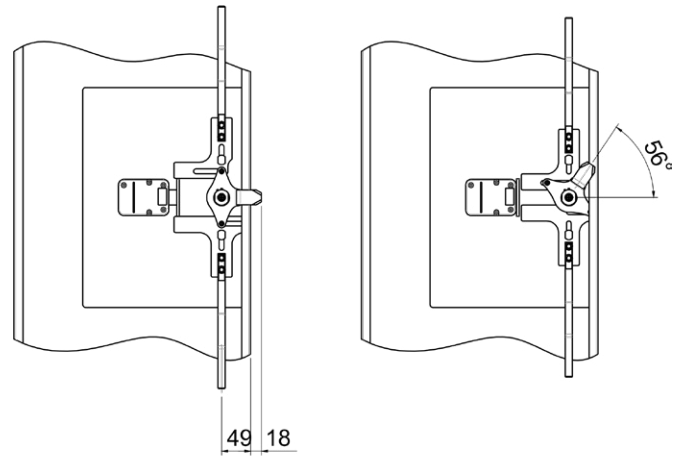
- Very high protective security
- Double locking mechanism
- LaGard lock suitability (not included)
- Mount plate is mandatory

Please note: the locking bars (PI5138-##) and mount plate (see table below) are sold separately

MATERIAL & FINISH:

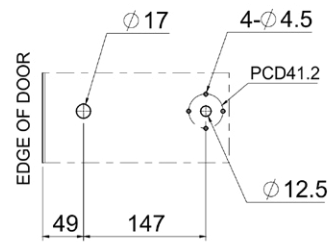
Handle	Zinc die, Nickel Chrome plated
Base	Zinc die, Nickel Chrome plated
Locking Mechanism Unit	
Shaft	Mild steel, Zinc plated

LaGard Lock not supplied

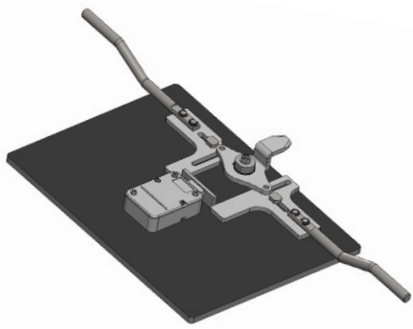
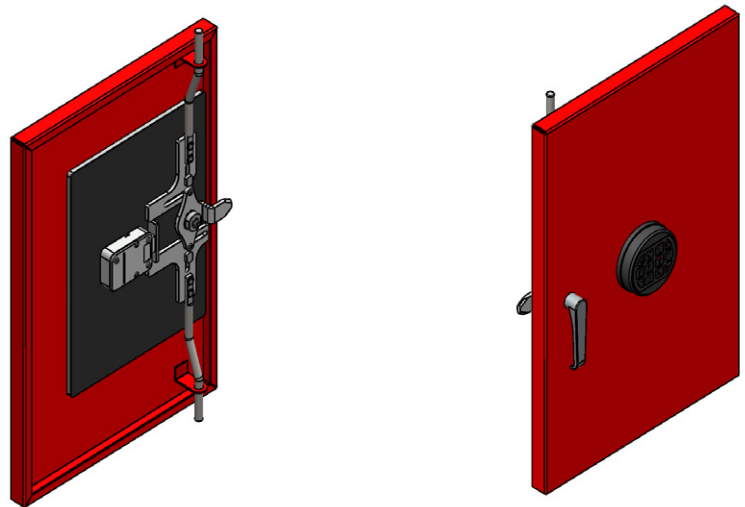


LOCK POSITION

UNLOCK POSITION



CUT OUT

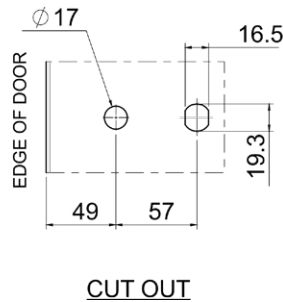
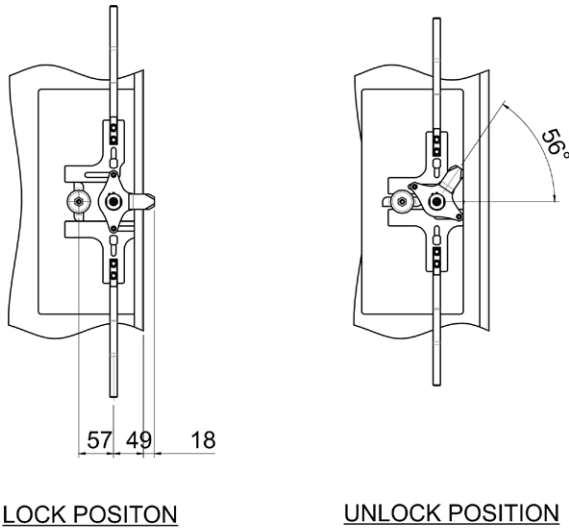


Mounting plate

HANDEDNESS	THICKNESS	PART NUMBER
RH	8	B-CLASS-MK4-PLATE
LH	8	B-CLASS-MK4-LH-PLATE

BASE FINISH	HANDLE FINISH	HANDEDNESS	PART NUMBER
Zinc die, Nickel chrome plated	Zinc die, Nickel chrome plated	RH	B-CLASS-MK4
Zinc die, Nickel chrome plated	Zinc die, Nickel chrome plated	LH	B-CLASS-MK4-LH

C-CLASS LOCK ASSEMBLY



FEATURES:

- Very high protective security
- Double locking mechanism
- BiLock cylinder
- Mount plate is mandatory

Please note: the locking bars (PI5138-xx) and mount plate (see table below) are sold separately

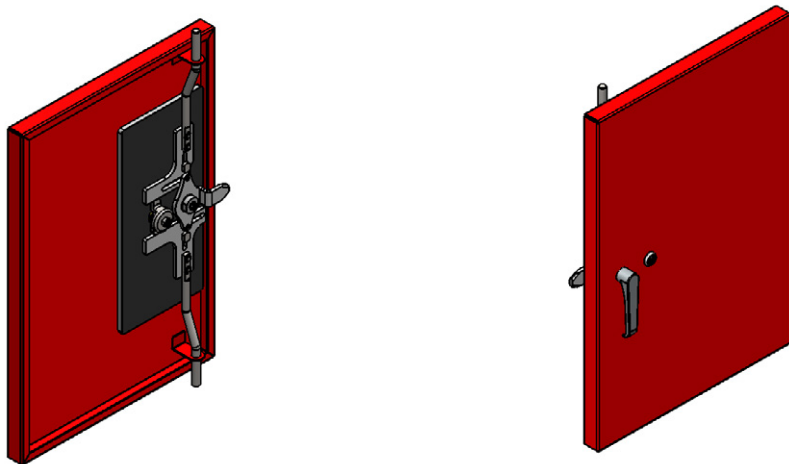
MATERIAL & FINISH:

Material & Finish:

Handle	Zinc die, Nickel Chrome plated
Base	Zinc die, Nickel Chrome plated
Locking Mechanism Unit	Mild steel, Zinc plated
Shaft	Mild steel, Zinc plated

STANDARD CAMS AVAILABLE:

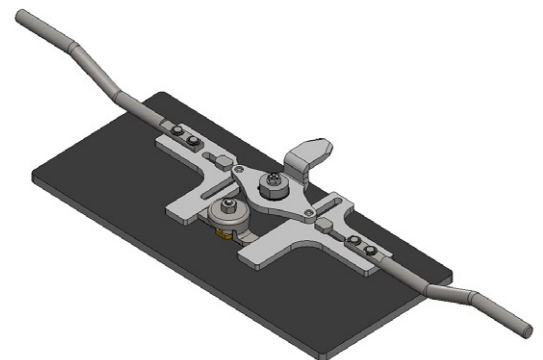
- BiLock not supplied



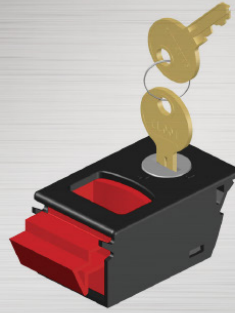
Mounting plate

HANDEDNESS	THICKNESS	PART NUMBER
RH	8	C-CLASS-MK4-PLATE
LH	8	C-CLASS-MK4-LH-PLATE

BASE FINISH	HANDLE FINISH	HANDEDNESS	PART NUMBER
Zinc die, Nickel chrome plated	Zinc die, Nickel chrome plated	RH	C-CLASS-MK4
Zinc die, Nickel chrome plated	Zinc die, Nickel chrome plated	LH	C-CLASS-MK4-LH



6



SECTION SIX

6-1 FLUSH LOCK

6-2 SLIDE LATCH

6-3 LOCKABLE SLIDE LATCH

6-4 NON LOCKABLE SLIDE LATCH

6-5 PANEL LOCK

6-6 FLUSH PULL RING LATCH

FLUSH LOCK

FEATURES:

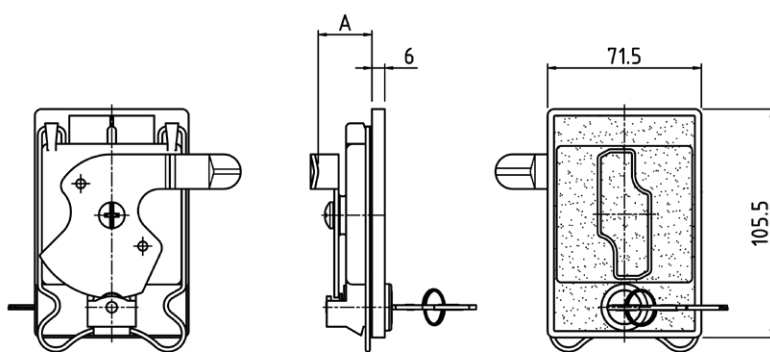
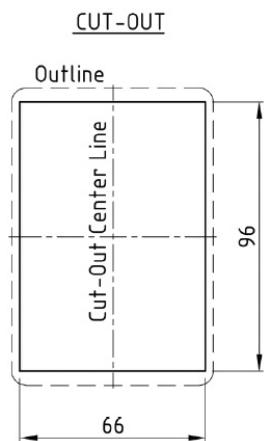
- Flush fitting
- Easy assembly
- Multiple key combinations available
- Economically priced

DIMENSIONS:

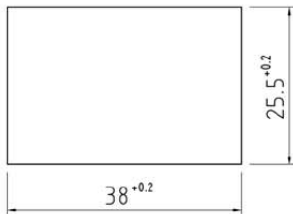
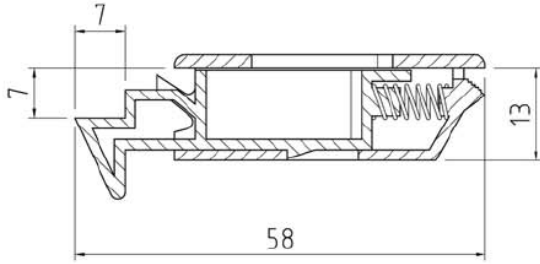
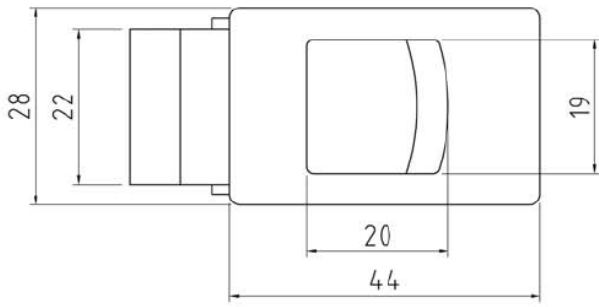
Height = 105.5mm
Width = 71.5mm

MATERIAL & FINISH:

Handle Zinc die, Chrome plated
Base Zinc die, Black powder coated
Cam Mild steel, Zinc plated



KEY CODE	DIMENSION "A"	HANDEDNESS	PART NUMBER
92268	15mm	RH	ALFR02C
92268	25mm	RH	ALFR02
CL001	15mm	RH	ALFR01C
CL001	25mm	RH	ALFR01
CL001	29mm	RH	ALFR01V



CUT-OUT

SLIDE LATCH

FEATURES:

- Suits 0.8mm to 2.3mm door thickness
- 6mm stroke

MATERIAL:

Polyamide



COLOUR

Black - Black

PART NUMBER

PI5142-00-2

LOCKABLE SLIDE LATCH

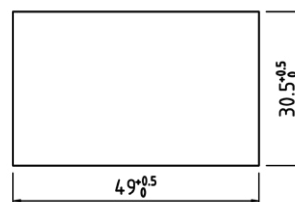
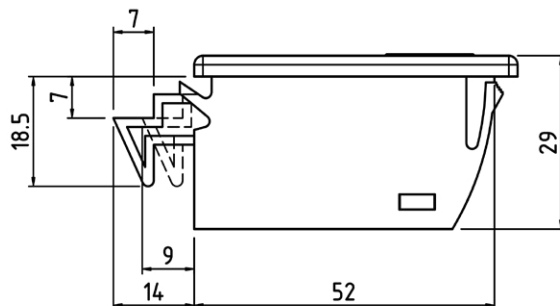
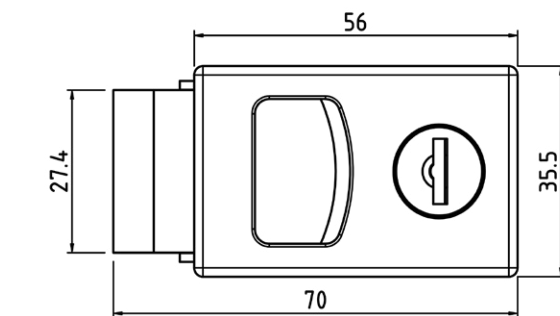
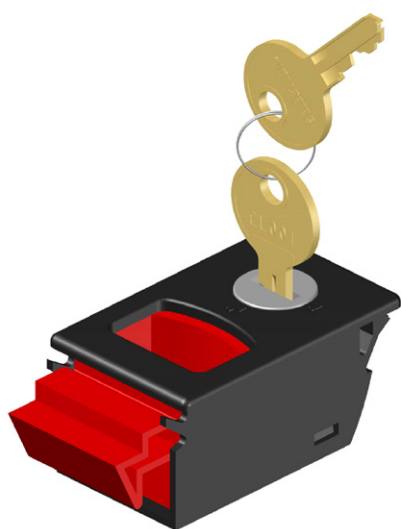
FEATURES:

- Suits 0.8mm to 2.3mm door thickness
- 6.5mm stroke

MATERIAL:

Polyamide

**Also available with slam shut while in locked state

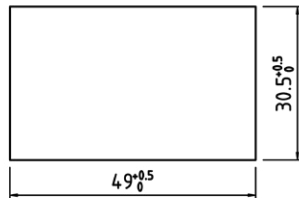
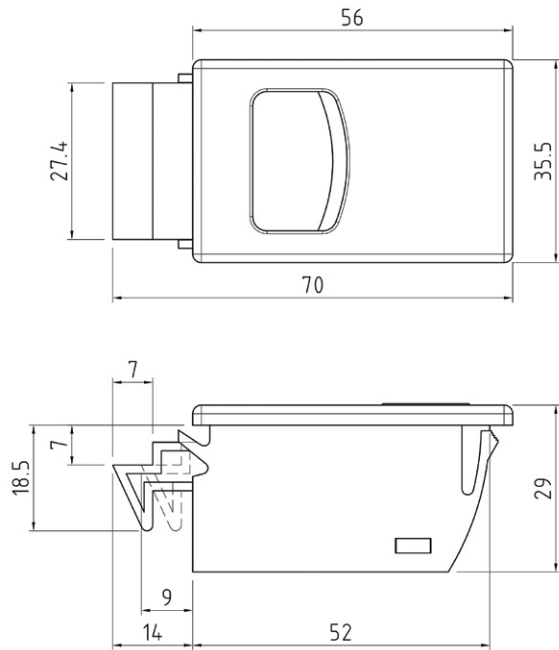


CUT-OUT

KEY CODE	COLOUR	PART NUMBER
CL001	Black - black	PI5259-02-01
92268	Black - black	PI5259-02-02

*Other dimension available upon request moq applies

NON LOCKABLE SLIDE LATCH



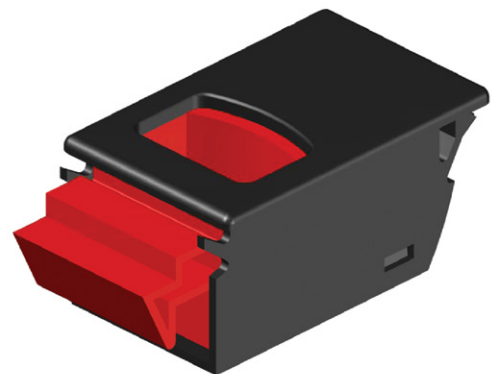
CUT-OUT

FEATURES:

- Suits 0.8mm to 2.3mm door thickness
- 6mm stroke

MATERIAL:

Polyamide



COLOUR

Black

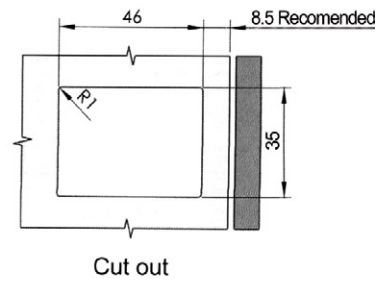
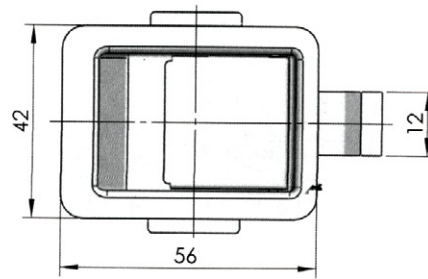
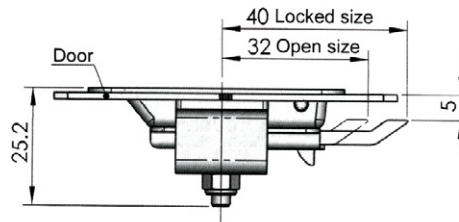
PART NUMBER

PI5303-02

PANEL LOCK

MATERIAL:

Wire drawing polished stainless steel

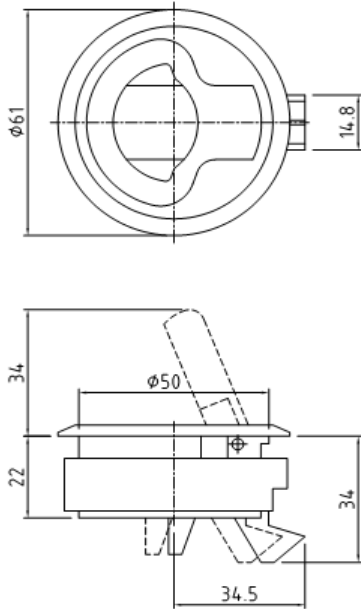


MATERIAL

Stainless steel

PART NUMBER

MS866-8



FLUSH PULL RING LATCH

MATERIAL & FINISH:

- ABS
- Nylon



DESCRIPTION	PART NUMBER
Pull ring latch	94009



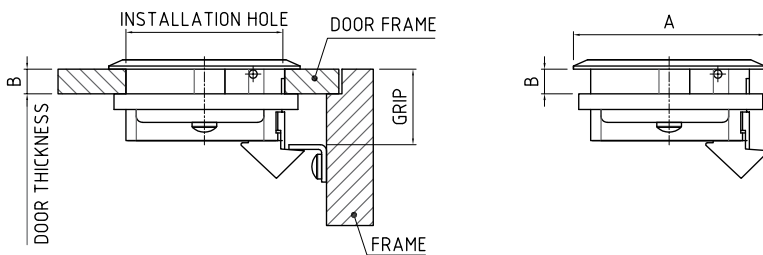
FLUSH PULL RING LATCH STAINLESS STEEL

FEATURES:

- Pull the handle to open
- Suitable for left and right hand opening

MATERIAL & FINISH:

316 grade stainless steel, Mirror like finish



DIAMETER	PART NUMBER
61mm	94009SS

7



SECTION SEVEN

[7-1 FOLDING T HANDLE](#)

[7-2 CENTRAL LOCKING FOLDING T HANDLE](#)

[7-3 HEAVY DUTY FOLDING T HANDLE](#)

[7-4 PADDLE HANDLE](#)

[7-5 DUST CAP](#)

[7-6 CAMS FOR FOLDING T HANDLE](#)

[7-7 ADJUSTABLE ROLLER CAM](#)

MIDNIGHT SERIES FOLDING T HANDLE

FEATURES:

- New modern design
- Heavy duty construction
- Suitable for 1 or 3 point locking
- New plastic spring clicker
- High security automotive barrel
- Suit padlock up to 8mm

DIMENSIONS:

Height = 140mm
Width = 140mm

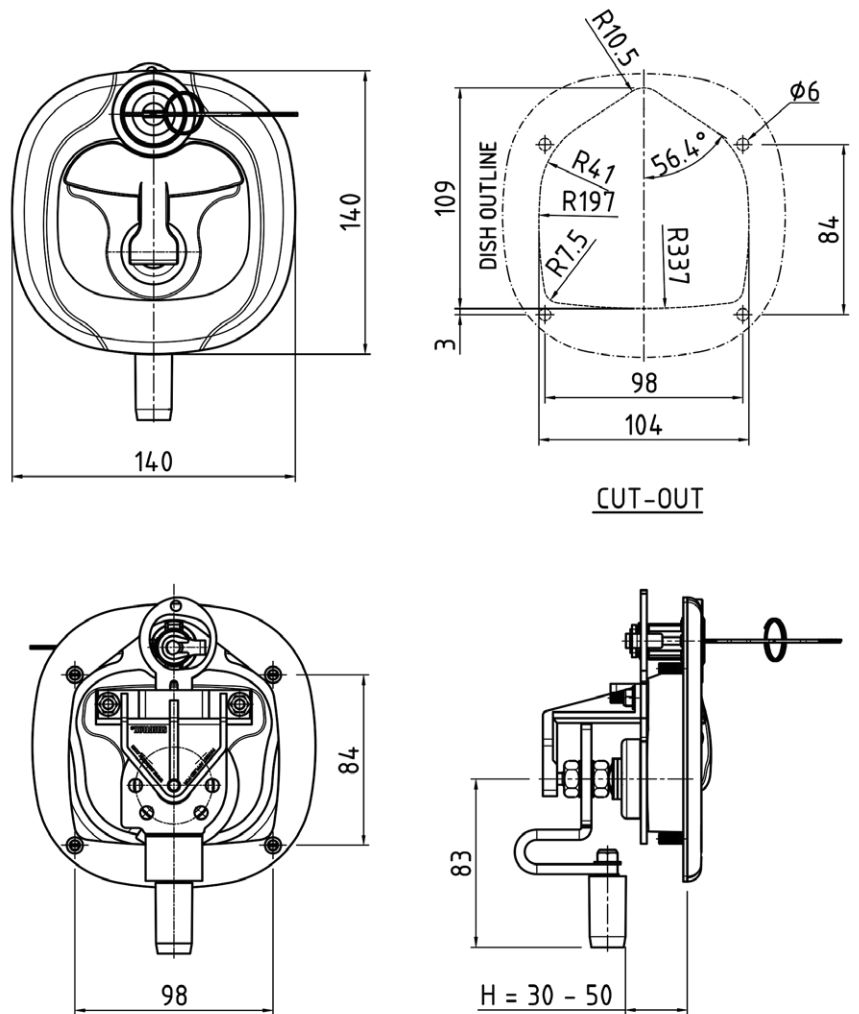
MATERIAL & FINISH:

Bracket Zinc die, zinc plated
Cam & Shaft Mild steel, zinc plated

ACCESSORIES:

Roller Kit 10502-RRK
-includes all parts listed below

PART NUMBER	QTY	PAGE
• RG007	2	3-11
• RG008	2	3-8
• 10502-PIN	2	-
• ROD1200E	2	3-10



HANDLE	DISH	KEY NUMBER	PART NUMBER
Black satin, EDP coated	Black satin, EDP coated	SK#	10503-SK#-ZBB-R
Chrome plated	Black satin, EDP coated	SK#	10503-SK#-ZBC-R
Chrome plated	Chrome plated	SK#	10503-SK#-ZCC-R

Patent/design registration applied for

MIDNIGHT SERIES

CENTRAL LOCKING FOLDING T HANDLE

FEATURES:

- New modern design
- Heavy duty construction
- Suitable for 1 or 3 point locking
- New plastic spring clicker
- High security automotive barrel
- Suit padlock up to 8mm

DIMENSIONS:

Height = 140mm
Width = 140mm

MATERIAL & FINISH:

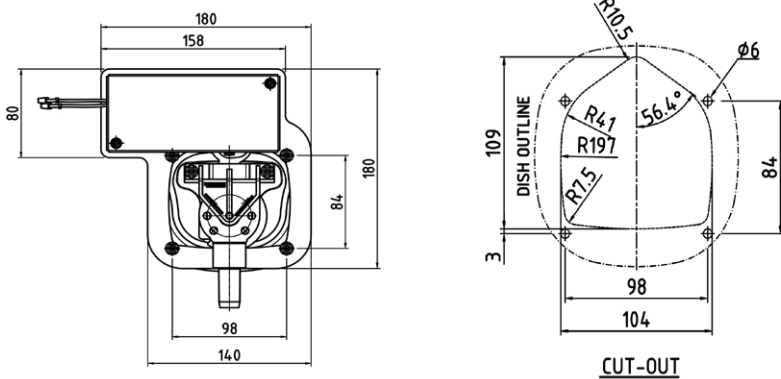
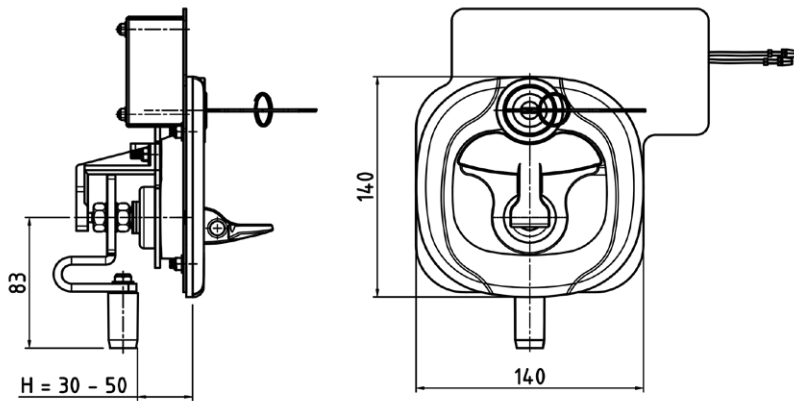
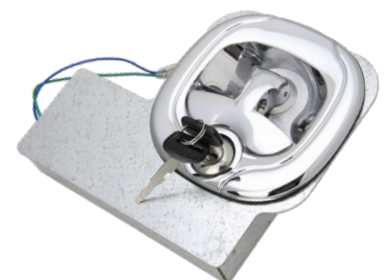
Bracket Zinc die, zinc plated
Cam & Shaft Mild steel, zinc plated

ACCESSORIES:

Roller Kit 10502-RRK
-includes all parts listed below

PART NUMBER QTY PAGE

- [RG007](#) 2 [3-11](#)
- [RG008](#) 2 [3-8](#)
- 10502-PIN 2 -
- [ROD1200E](#) 2 [3-10](#)



HANDLE	DISH	ORIENTATION	PART NUMBER
Chrome Plated	Chrome Plated	Left Hand	10503-SK#-CL-ZCC-LR
Chrome Plated	Chrome Plated	Right Hand	10503-SK#-CL-ZCC-RR
Black EDP Coated	Black EDP Coated	Left Hand	10503-SK#-CL-ZBB-LR
Black EDP Coated	Black EDP Coated	Right Hand	10503-SK#-CL-ZBB-RR

HEAVY DUTY FOLDING T HANDLE

FEATURES:

- New modern design
- Stainless steel dish (mirror-like finish)
- IP65 (when [dust cap](#) fitted)
- Heavy duty construction
- Suitable for 1 or 3 point locking

DIMENSIONS:

Height = 128.5mm
Width = 130mm

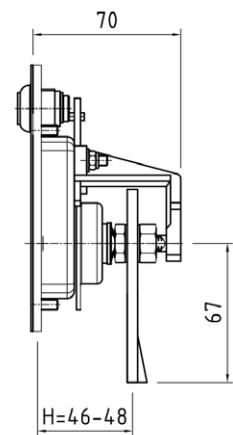
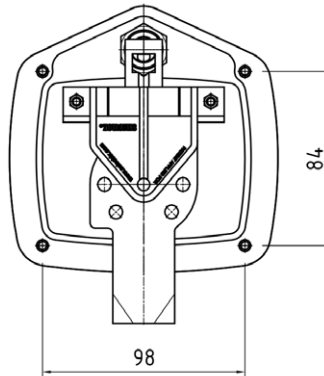
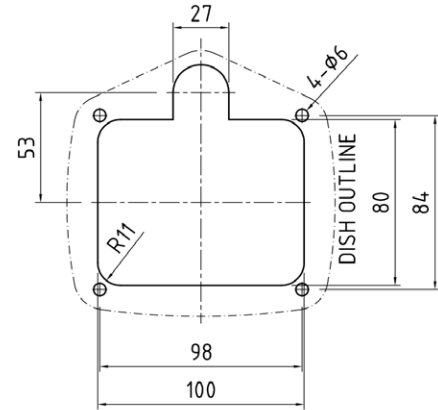
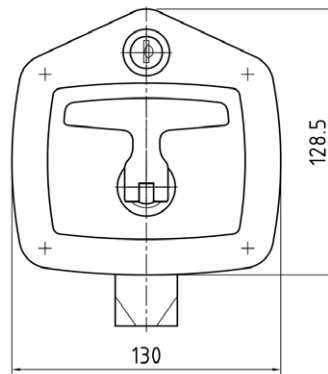
MATERIAL & FINISH:

Handle Zinc die, chrome plated
Bracket Zinc die cast
Dish Stainless steel
Cam & Shaft Mild steel, zinc plated

ACCESSORIES:

Pins for rods 10502-PIN
[RODS](#) [ROD1200E](#)

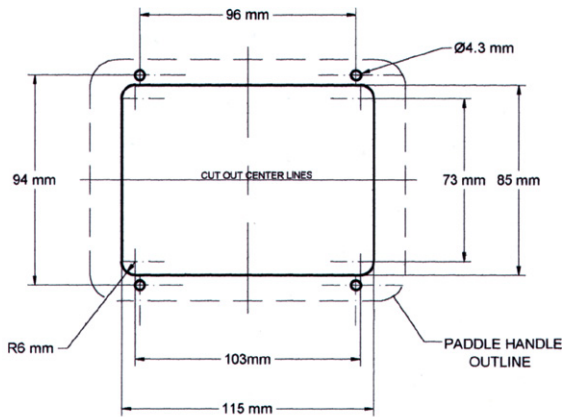
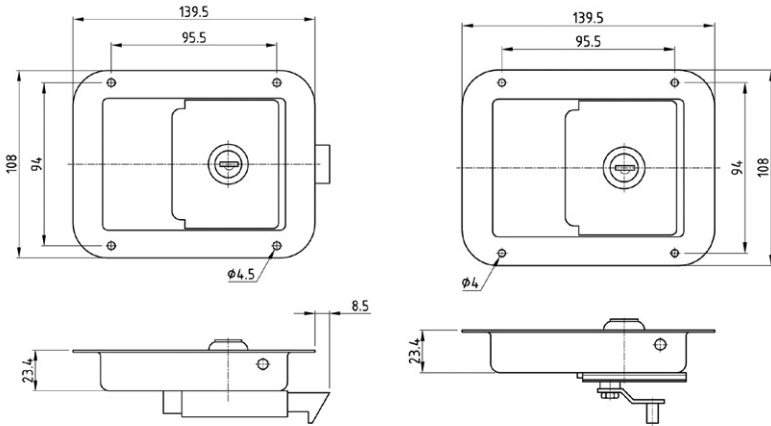
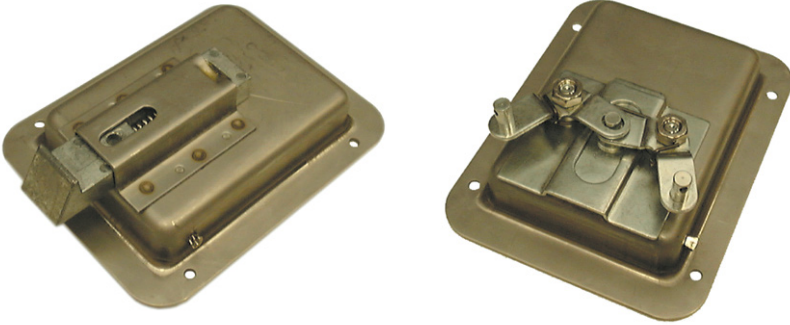
[Add DUST-CAP for IP65 rating \(page 7-5\)](#)



Please note: Add -R to part number for adjustable roller cam, [see section 7-7](#)

KEY NUMBER	MOUNTING METHOD	PART NUMBER
CH5##	Holes	10502-CH5##-N
CH5##	M5 studs	10502-CH5##-S-N

PADDLE HANDLE



FEATURES:

- Stainless steel dish (mirror-like finish)
- 10 different key combinations
- Can be keyed to folding T handle, compression latch or cam lock
- Available in single or two point locking
- Slam locking

DIMENSIONS:

Height = 108mm
Width = 139.5mm

MATERIAL & FINISH:

Handle & dish Stainless steel
Cam & rod control Mild steel zinc plated

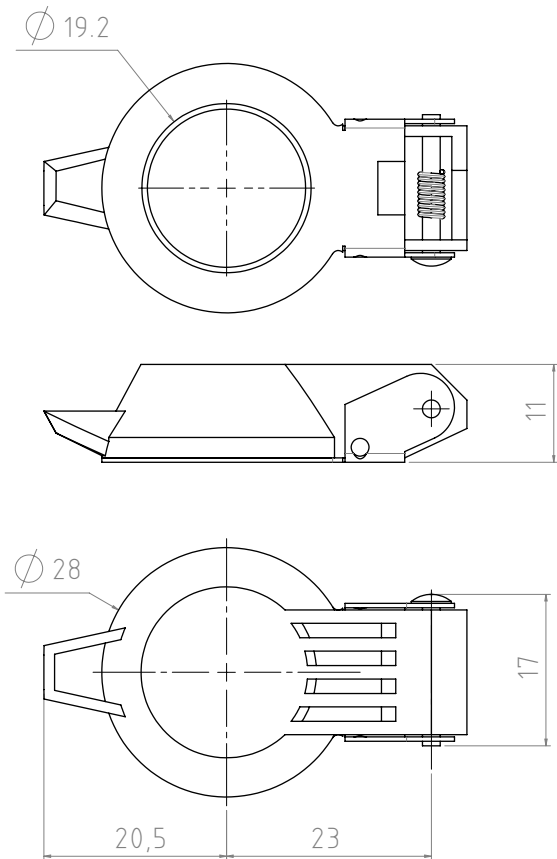
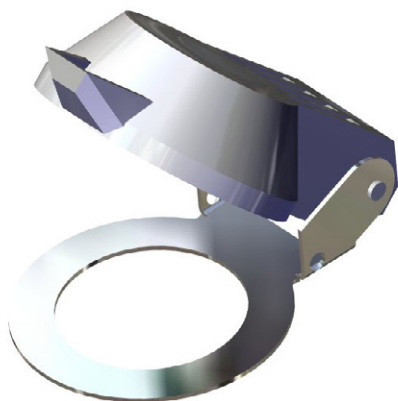


KEY NUMBER	CAM CONFIGURATION	PART NUMBER
CH5##	Single point slam cam	10409-CH5##
CH5##	Multi point cam	10411-CH5##

DUST CAP

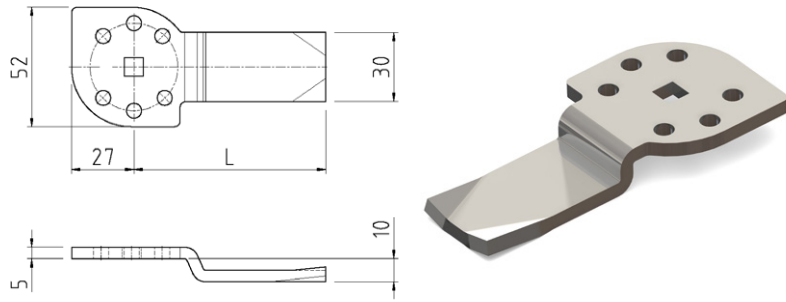
MATERIAL & FINISH:

Zinc die cast

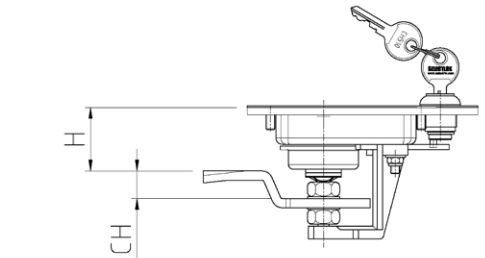


DIAMETER	FINISH	PART NUMBER
28 mm	Zinc die cast	DP001

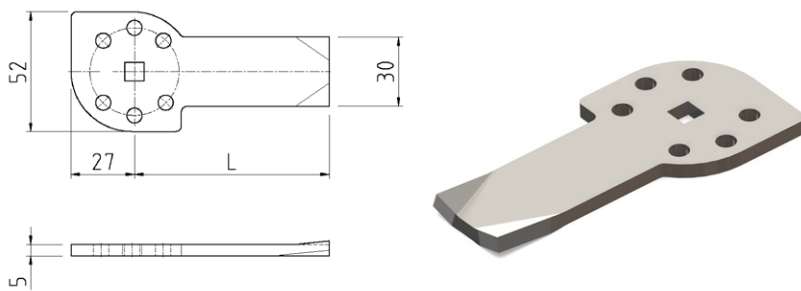
CAMS FOR FOLDING T HANDLE



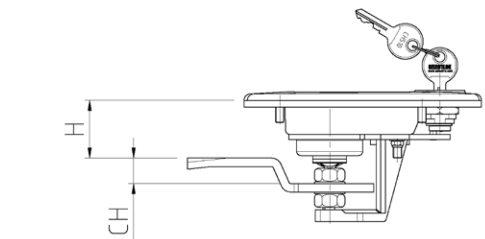
DIMENSION "L"	APPLICATION	PART NUMBER
66 (Standard)	Stainless steel dish folding T handle	P3251-06-5
83 (Midnight)	Zinc dish folding T handle	P3251-06-10



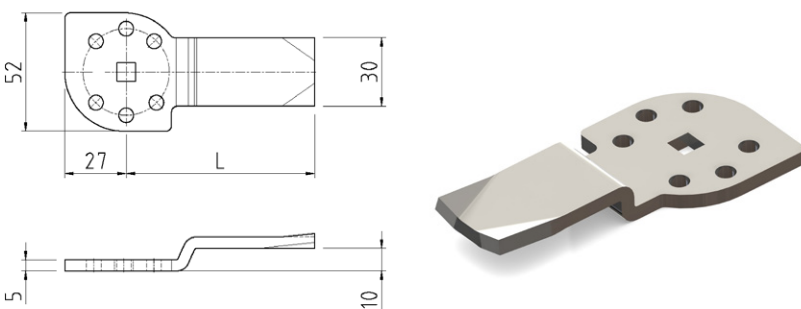
Cam assembled in
Stainless steel dish folding T handle



DIMENSION "L"	APPLICATION	PART NUMBER
66 (Standard)	Stainless steel dish folding T handle	P3251-06-4
83 (Midnight)	Zinc dish folding T handle	P3251-06-13



Cam assembled in
Zinc dish folding T handle



DIMENSION "L"	APPLICATION	PART NUMBER
66 (Standard)	Stainless steel dish folding T handle	P3251-06-6
83 (Midnight)	Zinc dish folding T handle	P3251-06-12

MATERIAL & FINISH:

- Mild steel
- Zinc plated
- 5mm material thickness

Stainless steel range available
on request

ADJUSTABLE ROLLER CAM

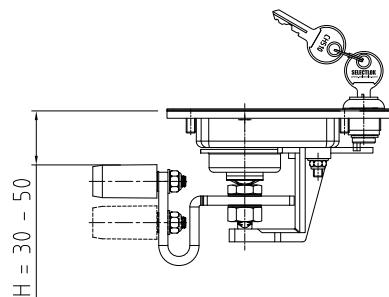
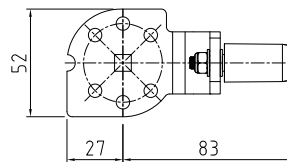
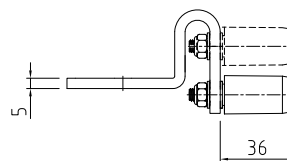
FEATURES:

- Suit folding T handle
- Adjustable “H” dimension

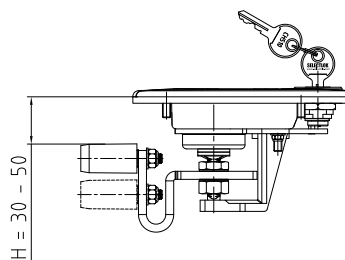
MATERIAL & FINISH:

G-cam 5mm mild steel plate,
zinc plated
Roller Black polyamide

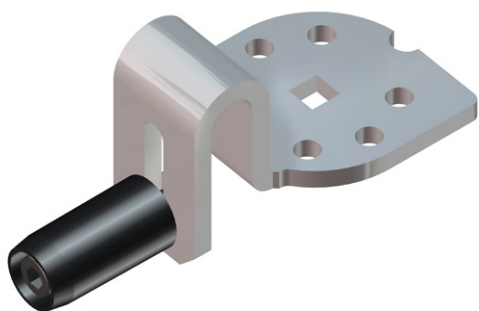
Stainless steel range available
on request



Adjustable roller cam assembled in [Stainless steel dish folding T handle](#)



Adjustable roller cam assembled in [Zinc dish folding T handle](#)



DESCRIPTION

PART NUMBER

Adjustable roller cam

P3251-06-14

8



SECTION EIGHT

[8-1 SMALL COMPRESSION LATCH](#)

[8-2 LARGE COMPRESSION LATCH](#)

SMALL COMPRESSION LATCH

FEATURES:

- Flush fitting
- Supplied with gasket
- Compression action
- Push button operation
- Many key codes available

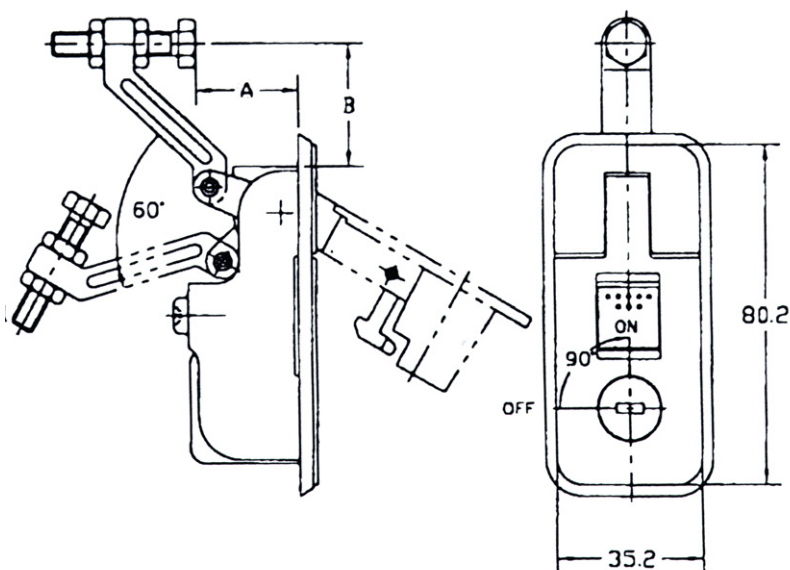
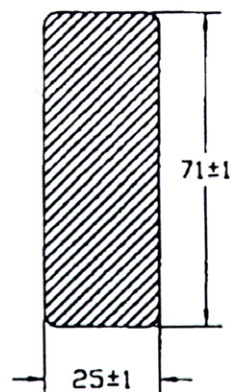
DIMENSIONS:

Height = 80.20mm
Width = 35.20mm

MATERIAL & FINISH:

Handle Zinc, chrome plated or black powder coated
Bracket Mild steel, zinc plated
Cam Zinc

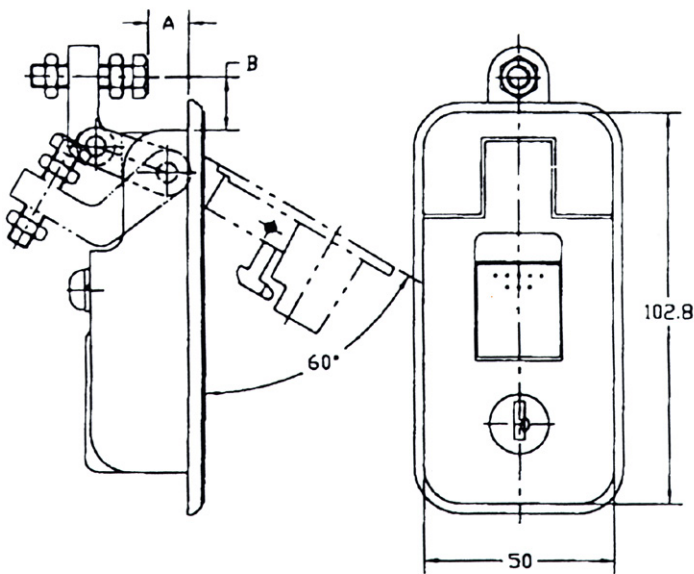
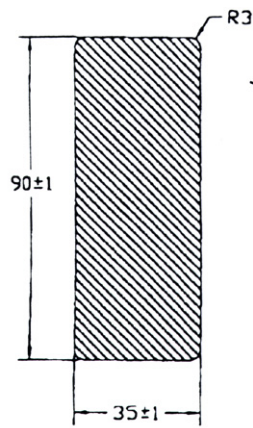
CUT OUT



COLOUR	"A" DIMENSION (mm)	"B" DIMENSION (mm)	PART NUMBER
Chrome plated	15-30	28.5	10208-CH###
Black powder coated	15-30	28.5	10208-CH###-BLK
Brushed	15-30	28.5	10208-CH###-BRU

LARGE COMPRESSION LATCH

CUT OUT



FEATURES:

- Flush fitting
- Supplied with gasket
- Compression action
- Push button operation
- Many key codes available

DIMENSIONS:

Height = 102.80mm
Width = 50.00mm

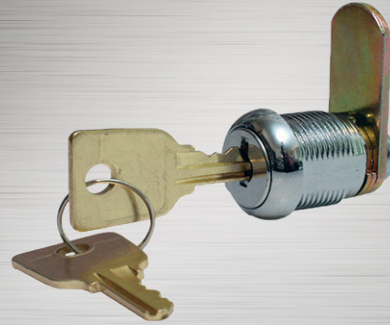
MATERIAL & FINISH:

Handle Zinc, chrome plated or black powder coated
Bracket Mild steel, zinc plated
Cam Zinc



COLOUR	"A" DIMENSION (mm)	"B" DIMENSION (mm)	PART NUMBER
Chrome plated	20-35	28.5	10207-CH###
Black powder coated	1-15	13.5	10207A-CH###-BLK
Black powder coated	20-32	28.5	10207-CH###-BLK
Black powder coated	30-43	15	10207-CH###-BLK-2

9



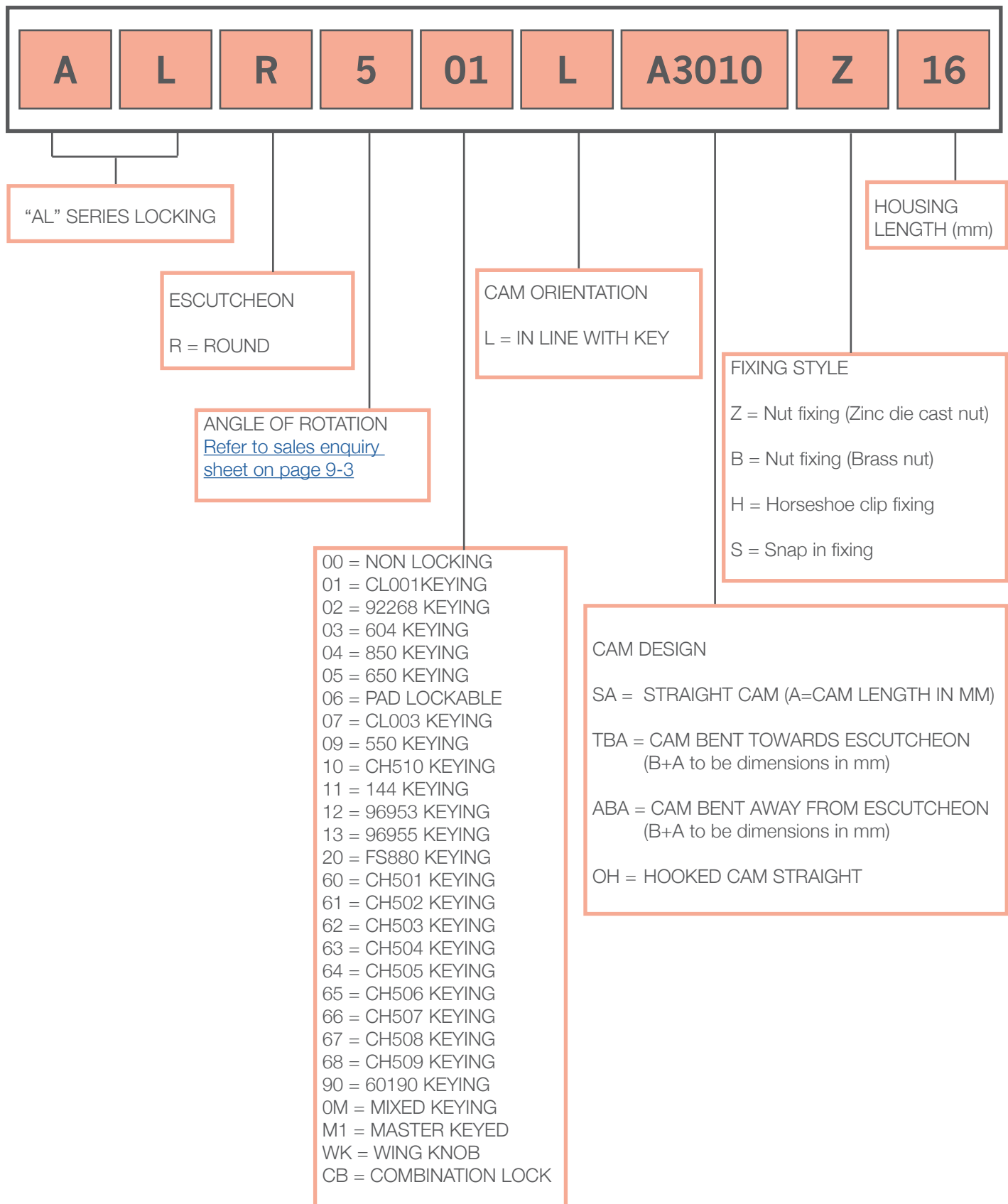
SECTION NINE

[9-1 CAM LOCK PART NUMBER SYSTEM](#)

[9-2 ESCUTCHEONS & INSERTS](#)

[9-3 STANDARD CONFIGURATIONS](#)

PART NUMBER SYSTEM



ESCUTCHEONS & INSERTS

CAM LOCK SOLUTIONS

With the **SELECTLOK®** range of cam locks, the possibilities are endless. Mix and match housing lengths, fixing varieties, cams and keys to create the ideal solution for your application. Just complete the sales enquiry form on the following pages and we'll be pleased to attend to your request. But if the choice is too great, just choose one of our standard configurations on page 9-6. We're sure there is one to suit.

FEATURES

- Round or square escutcheons
- Various cam and housing styles and lengths
- Fully assembled
- Multiple drive and key options available

ESCUTCHEONS AND INSERTS

Round escutcheon



Square escutcheon



Wing knob



Combination



STANDARD DESIGN

PART NUMBER	KEY CODE	HOUSING LENGTH	ESCUTCHEON DESIGN	ROTATION	CAM ORIENTATION	CAM DESIGN	FIXING DESIGN
ALR411LS28Z19B	144	19mm	ROUND, BLACK	90 DEGREE	KEY IN LINE WITH CAM	STRAIGHT 28mm	ZINC NUT
ALR509LS30Z16	550	16mm	ROUND	90 DEGREE	KEY IN LINE WITH CAM	STRAIGHT 30mm	ZINC NUT
ALR303LS30Z16	604	16mm	ROUND	180 DEGREE	KEY IN LINE WITH CAM	STRAIGHT 30mm	ZINC NUT
ALR402LS30Z19	92268	19mm	ROUND	90 DEGREE	KEY IN LINE WITH CAM	STRAIGHT 30mm	ZINC NUT
ALR402LS30Z30	92268	30mm	ROUND	90 DEGREE	KEY IN LINE WITH CAM	STRAIGHT 30mm	ZINC NUT
ALR3020S30B16	92268	16mm	ROUND	180 DEGREE	KEY 90 DEGREE OPPOSED TO CAM	STRAIGHT 30mm	BRASS NUT
ALR302LA3206B22	92268	22mm	ROUND	180 DEGREE	KEY IN LINE WITH CAM	BENT AWAY FROM FACE	BRASS NUT
ALR501OH30Z20	CL001	16mm	ROUND	90 DEGREE	KEY 90 DEGREE OPPOSITE TO CAM	HOOKED	ZINC NUT
ALR501LS30Z16	CL001	16mm	ROUND	90 DEGREE	KEY IN LINE WITH CAM	STRAIGHT 30mm	ZINC NUT
ALR401OH30Z20	CL001	20mm	ROUND	90 DEGREE	KEY 90 DEGREE OPPOSITE TO CAM	HOOKED	ZINC NUT
ALS301LA4511Z16	CL001	16mm	SQUARE	180 DEGREE	KEY IN LINE WITH CAM	BENT AWAY FROM FACE	ZINC NUT
ALR307LS30Z16	CL003	16mm	ROUND	180 DEGREE	KEY IN LINE WITH CAM	STRAIGHT 30mm	ZINC NUT
ALS4M1LT3506Z16	MASTER KEYED	16mm	SQUARE	90 DEGREE	KEY IN LINE WITH CAM	BENT TOWARDS FACE	ZINC NUT
ALR2M1LA3012B16	MASTER KEYED	16mm	ROUND	90 DEGREE	KEY IN LINE WITH CAM	BENT AWAY FROM FACE	BRASS NUT
ALR5WKOS30Z16	WING KNOB	16mm	ROUND	90 DEGREE	KEY 90 DEGREE OPPOSED TO CAM	STRAIGHT 30mm	ZINC NUT

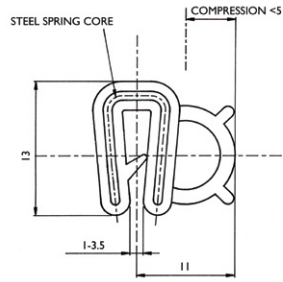
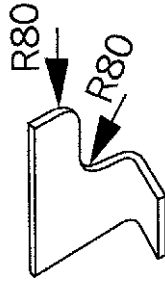
10



SECTION TEN

- [10-1 PINCHWELD SIDE MOUNT](#)
- [10-2 PINCHWELD TOP MOUNT](#)
- [10-4 EDGE PROTECTION](#)
- [10-5 SPECIAL PROFILE](#)
- [10-6 CLOSED CELL PVC NITRILE FOAM](#)
- [10-7 SELF ADHESIVE TAPE](#)
- [10-8 REAR DOOR SEAL](#)

SIDE MOUNT PROFILES



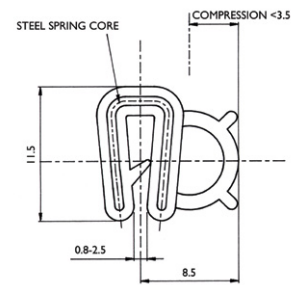
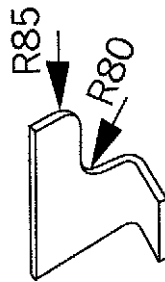
PART NUMBER

1011-106

Material: EPDM

Grip Range: 2.0mm

Packaging: 50m roll



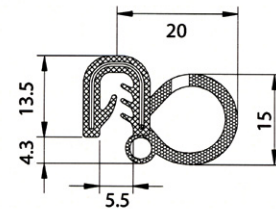
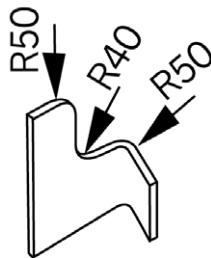
PART NUMBER

1011-109

Material: EPDM

Grip Range: 1.0 - 2.0mm

Packaging: 50m roll



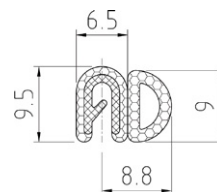
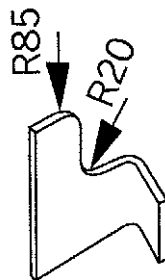
PART NUMBER

1011-A3297

Material: EPDM

Grip Range: 2.0mm

Packaging: 50m roll



PART NUMBER

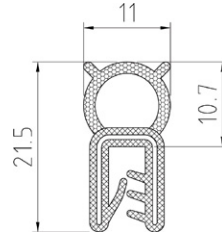
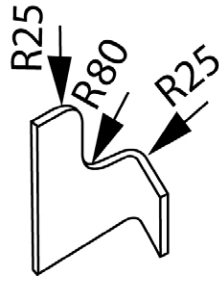
1011-10212

Material: EPDM

Grip Range: 1.0 - 2.0mm

Packaging: 100m roll

TOP MOUNT PROFILES

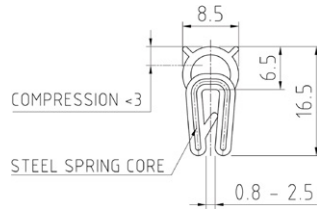
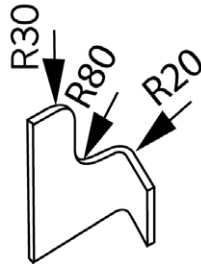


PART NUMBER

1011-105

1011-105-C
*for checkerplate

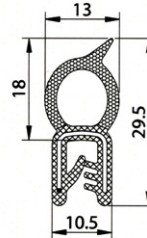
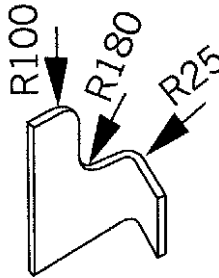
PART #	Material	Grip Range	Packaging
1011-105	EPDM	1.0 - 2.5mm	50m roll
1011-105-C	EPDM	1.0 - 3.0mm	50m roll



PART NUMBER

1011-110

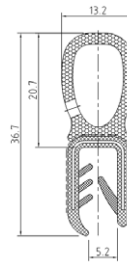
Material: EPDM Grip Range: 1.0 - 2.0mm Packaging: 50m roll



PART NUMBER

1011-A2516-4

Material: EPDM Grip Range: 2.5 - 4.0mm Packaging: 50m roll

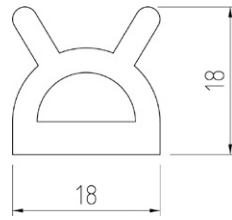


PART NUMBER

1011-A1030-E2583

Material: SPONGE RUBBER Grip Range: 4.0 - 6.0mm Packaging: 50m roll

TOP MOUNT PROFILES

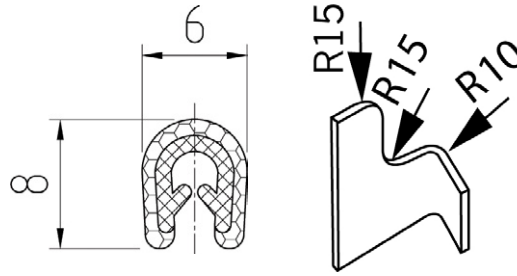


PART NUMBER

9187STS

Material: SELECTLOK PLUS Adhesive tape: 3M (ST) Packaging: 50m roll

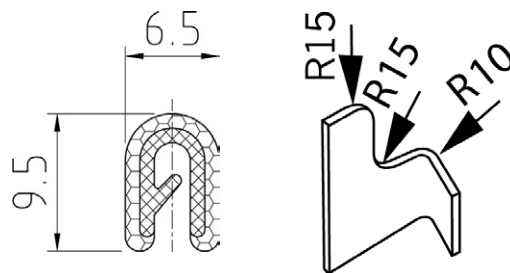
EDGE PROTECTION



PART NUMBER

1011-10801

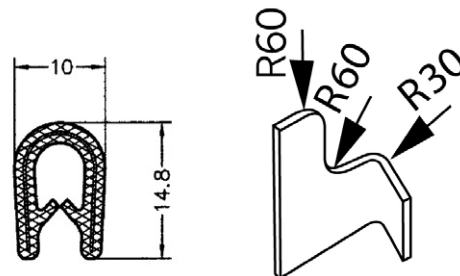
Material: PVC Grip Range: 0.8 - 1.5mm Packaging: 100m roll



PART NUMBER

1011-10802

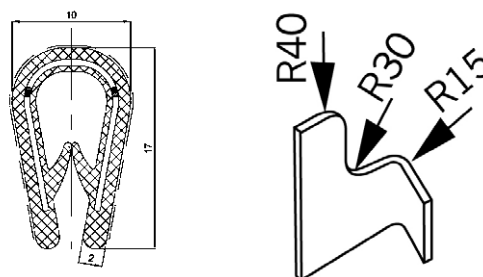
Material: PVC Grip Range: 1.0 - 2.0mm Packaging: 100m roll



PART NUMBER

1011-10803

Material: PVC Grip Range: 1.0 - 4.0mm Packaging: 100m roll



PART NUMBER

1011-A1018

Material: PVC Grip Range: 2.0 - 4.0mm Packaging: 50m roll

SPECIAL PROFILE

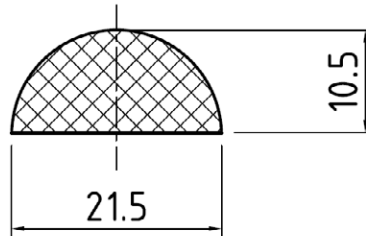


PART NUMBER

RSB256

Material: SPONGE RUBBER

Packaging: 50m roll

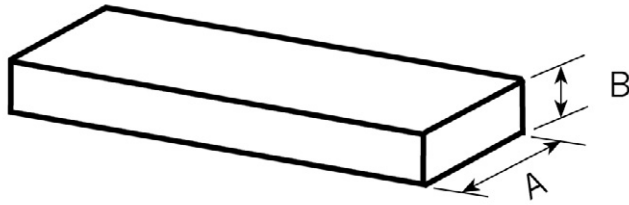


PART NUMBER

TZ-YN-004

Material: EPDM

Packaging: 50m roll



CLOSED CELL PVC NITRILE FOAM

TECHNICAL PROPERTIES	VALUE
Backing Material	Closed Cell PVC/Nitrile Foam
Adhesive Type	Acrylic
Adhesive Power	6 N/25mm
Foam Density	91 kgs/m ³
Elongation	100%
Tensile Strength	73.5 N/25mm
Water Tightness	100% at < 10% compression
Water Absorption ASTM D1056-73	6% (by weight)
Thermal Conductivity	0.27 btu
Temperature Resistance	- 10°C to + 80°C
Flammability ASTM D1692-74	Flame retardant and self extinguishing
Ozone Resistance	Good
UV Resistance	Good
Chemical/Solvent Resistance	Good
Petrol/Oil Resistance	Good
Tear Resistance	Good
Tape Thickness	3mm, 6mm, 9mm and 12mm
Tape Widths	6mm to 1220mm
Colour Available	Black

FEATURES:

- Foam compresses easily, is highly conformable and recovers quickly
- Filmic interliner prevents stretch during application
- Robust foam is tear and abrasion resistant
- Electrical non-conductive – can be used as an electrolysis barrier
- Good resistant to high temperature and weathering
- Good thermal insulation properties
- Available in die-cut pads and gaskets
- Supplied in 9m rolls

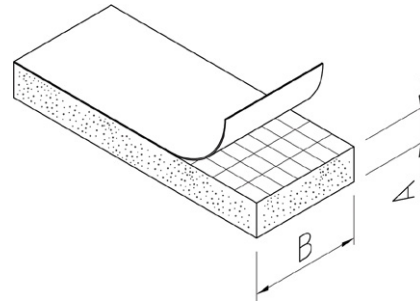
MATERIAL:

- Sealing electrical enclosures and switch cabinets
- Sealing industrial access doors and hatches
- Sealing hatches on boats
- Sealing externally mounted air conditioning equipment
- Pipe- wrap insulation of hot and cold pipes

"A" (mm)	"B" (mm)	MATERIAL	PART NUMBER
10	3	Sponge Nitrile	NITFT10X3
10	6	Sponge Nitrile	NITFT10X6
12	3	Sponge Nitrile	NITFT12X3
12	6	Sponge Nitrile	NITFT12X6
12	9	Sponge Nitrile	NITFT12X9
21	3	Sponge Nitrile	NITFT21X3
21	6	Sponge Nitrile	NITFT21X6
21	9	Sponge Nitrile	NITFT21X9
25	3	Sponge Nitrile	NITFT25X3
25	6	Sponge Nitrile	NITFT25X6
25	9	Sponge Nitrile	NITFT25X9



SELF ADHESIVE TAPE



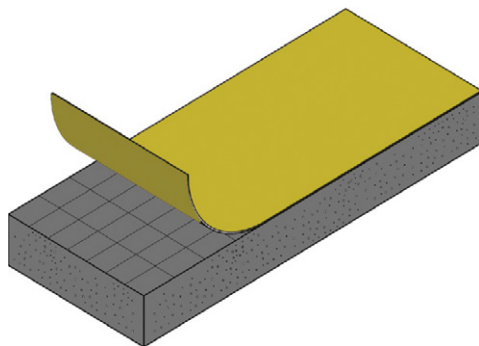
FEATURES:

- Scrim netting for better resistance to overstretching
- High quality adhesive
- Supplied in 10m rolls
- Other sizes available
- Closed cell construction

MATERIAL:

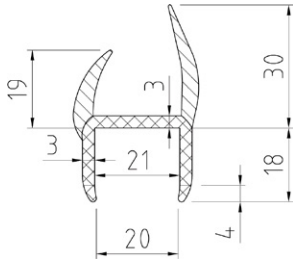
EPDM

TECHNICAL PROPERTIES	TEST METHOD	VALUE
Cellular Structure	-	Closed
Colour	-	Black
Density (kg/m ³)	ISO 845-88	130
Water Absorption (%)	ASTM D 1056	<8
Temperature Range Constant (°C)	ASTM D 3575	-40 / +80
Temperature Range Intermittent (°C)	-	-
Linear Shrinkage (%)	After 22H 70 °C	Max -5
Ultimate Elongation	ASTM D 412	>150
Tensile Strength (kpa)	ASTM D 412	400
Tear Resistance (kN/m)	ASTM D 624	0.5
Air + UV Resistance	Exellent	
Ozone Resistance	168 h/200pphm	
Compression Strength (kpa)	ASTM 1056-85	%25' de => 35
Compression Set (%)	ASTM D 395 (%50-22H)	5
Shore Hardness (Shore C)	ASTM D 2240	35 ±5
Fire Resistance	-	-
Peroxide Cure	-	-
Specification	-	-



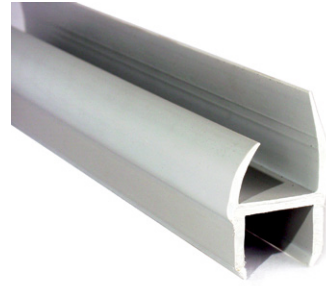
"A" (mm)	"B" (mm)	MATERIAL	PART NUMBER
3	20	EPDM	M1200-3-20
5	10	EPDM	M1200-5-10
5	25	EPDM	M1200-5-25
5	20	EPDM	M1200-5-20
5	30	EPDM	M1200-5-30
3	12	EPDM	EPDMFT12X3
3	24	EPDM	EPDMFT24X3
4.5	9	EPDM	EPDMFT9X4.5
4.5	18	EPDM	EPDMFT18X4.5
6	24	EPDM	EPDMFT24X6
9	24	EPDM	EPDMFT24X9
12	18	EPDM	EPDMFT18X12

REAR DOOR SEAL



PART NUMBER

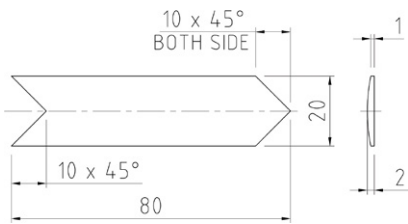
P-200-21



Material: PVC

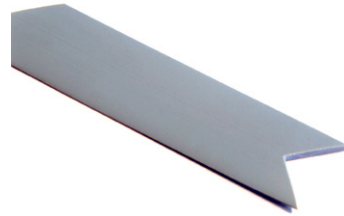
Colour: Grey

Packaging: 5m lengths



PART NUMBER

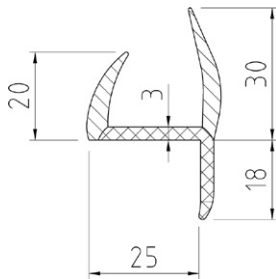
P2627



Material: PVC

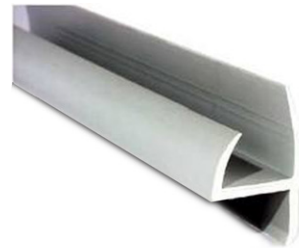
Colour: Grey

Packaging: 100 pieces



PART NUMBER

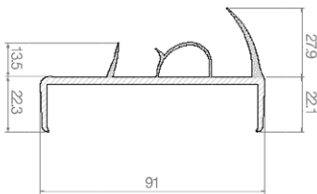
183020



Material: PVC

Colour: Grey

Packaging: 5m lengths



PART NUMBER

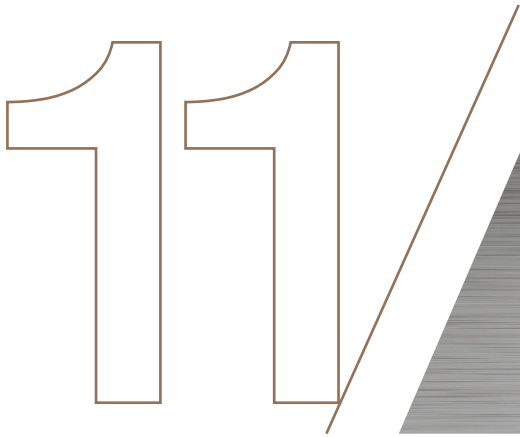
P-6081-B



Material: PVC

Colour: Grey

Packaging: 5m lengths



SECTION ELEVEN

[11-1 50MM PINTLE HINGE](#)

[11-2 STEPPED PINTLE HINGE](#)

[11-3 82MM PINTLE HINGE](#)

[11-4 SNAP IN FIXING HINGE](#)

[11-5 PINTLE HINGE SHORT](#)

[11-6 STEPPED PINTLE HINGE](#)

[11-7 STEPPED PINTLE HINGE](#)

[11-8 HIB900NS](#)

[11-9 HIB860NS-E](#)

[11-10 MULTI-HEAD SCREW](#)

[11-10 SOCKET HEAD SCREW](#)

[11-11 SCREW-ON HINGE](#)

[11-11 PEDESTAL HINGE](#)

[11-12 SCREW-ON HINGE](#)

[11-13 SIDE DOOR HINGE](#)

[11-14 LIFT-OFF HINGE](#)

[11-15 BUTT HINGES](#)

[11-16 NON-MORTICE HINGE](#)

[11-17 BUTT HINGES](#)

[11-18 CORNER HINGE](#)

[11-19 SEMI-CONCEALED HINGE](#)

[11-20 INSTALLATION DIAGRAM](#)

[11-22 SPRING LOADED HINGE](#)

[11-23 GLASS DOOR HINGE](#)

[11-23 TORQUE BUTT HINGE](#)

[11-24 CONCEALED HINGES](#)

[11-26 PIANO HINGES](#)

[11-28 POLIALL HINGE](#)

[11-29 TILA CONTINUOUS HINGE](#)

[11-30 TILA HINGE](#)

[11-31 REAR DOOR LEAF HINGE](#)

[11-32 BRACKET](#)

[11-33 HINGES](#)

[11-34 HINGES](#)

[11-36 SEMI-CONCEALED HINGE](#)

[11-37 WELD ON HINGES](#)

[11-39 SPRING LOADED HINGE](#)

50MM PINTLE HINGE

FEATURES:

- Brass
- Stainless steel pin
- High quality chrome plating
- Interchangeable male & female components

DIMENSIONS:

Height = 16mm
 Length = 50mm
 Pin diameter = 6mm

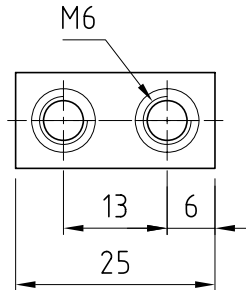
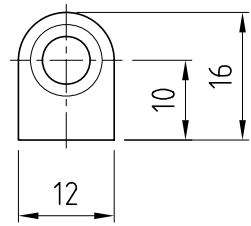
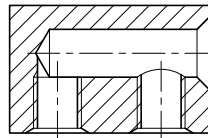
MATERIAL & FINISH:

Hinge Body Brass, chrome plated
 Pin Stainless steel

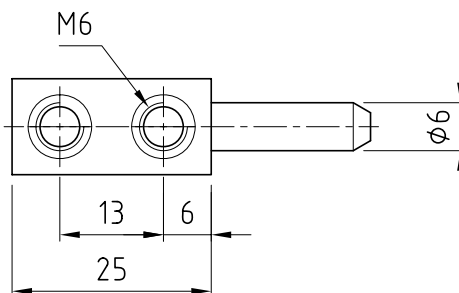
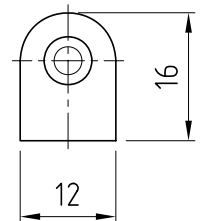
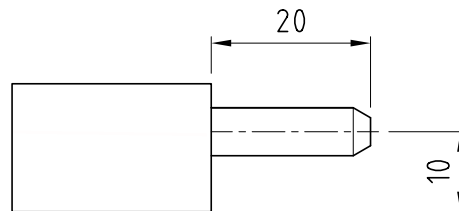
SCREWS:

[Hex multi head - F-HMHSS-M6X8](#)
[Socket head cap - F-SCS-M6X8-ZP](#)
[Refer to page 11-10 for entire range](#)

Box quantity: 200



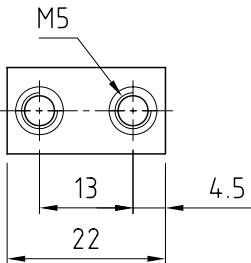
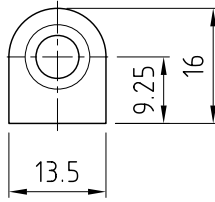
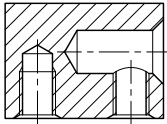
TOP



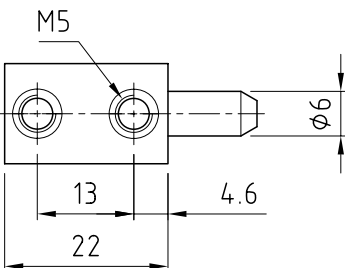
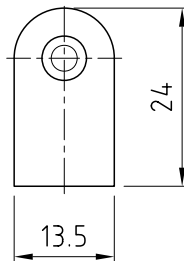
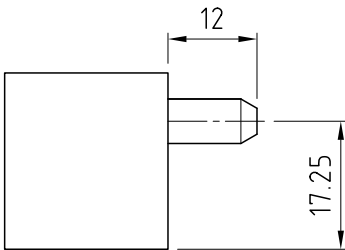
BOTTOM

FINISH	MATERIAL	PART NUMBER
Chrome plated	Brass	HIB500NS-E
Polished	Stainless Steel	HIB500SS-316NS

STEPPED PINTLE HINGE



TOP



BOTTOM

FEATURES:

- Brass
- Stainless steel pin
- High quality chrome plating
- Interchangeable male & female components

DIMENSIONS:

Height (female)	= 16mm
Height (male)	= 24mm
Length	= 44mm
Pin diameter	= 6mm

MATERIAL & FINISH:

Handle	Zinc die cast
Bracket	Zinc die cast
Dish	Stainless steel
Cam & Shaft	Mild steel, zinc plated

MATERIAL & FINISH:

Hinge Body	Brass, chrome plated
Pin	Stainless steel

Box quantity: 200



FINISH	MATERIAL	PART NUMBER
Chrome plated	Brass	HIB520NS-E

82MM PINTLE HINGE

SELECTLOK
STAINLESS
STEEL

FEATURES:

- Brass
- Stainless steel pin
- High quality chrome plating
- Interchangeable male & female components

DIMENSIONS:

Height = 16mm
Length = 82mm
Pin diameter = 6mm

MATERIAL & FINISH:

Hinge Body Brass, chrome plated
Pin Stainless steel

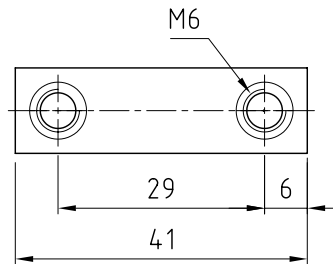
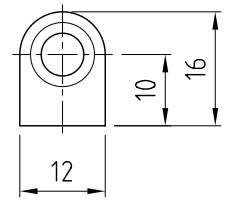
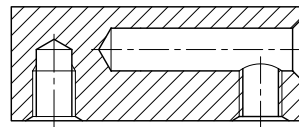
SCREWS:

[Hex multi head - F-HMHSS-M6X8](#)

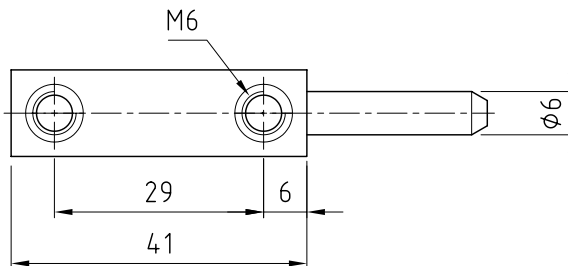
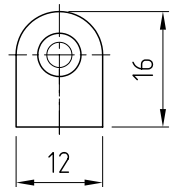
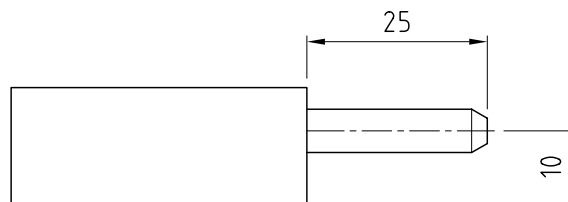
[Socket head cap - F-SCS-M6X8-ZP](#)

[Refer to page 11-10 for entire range](#)

Box quantity: 200



TOP



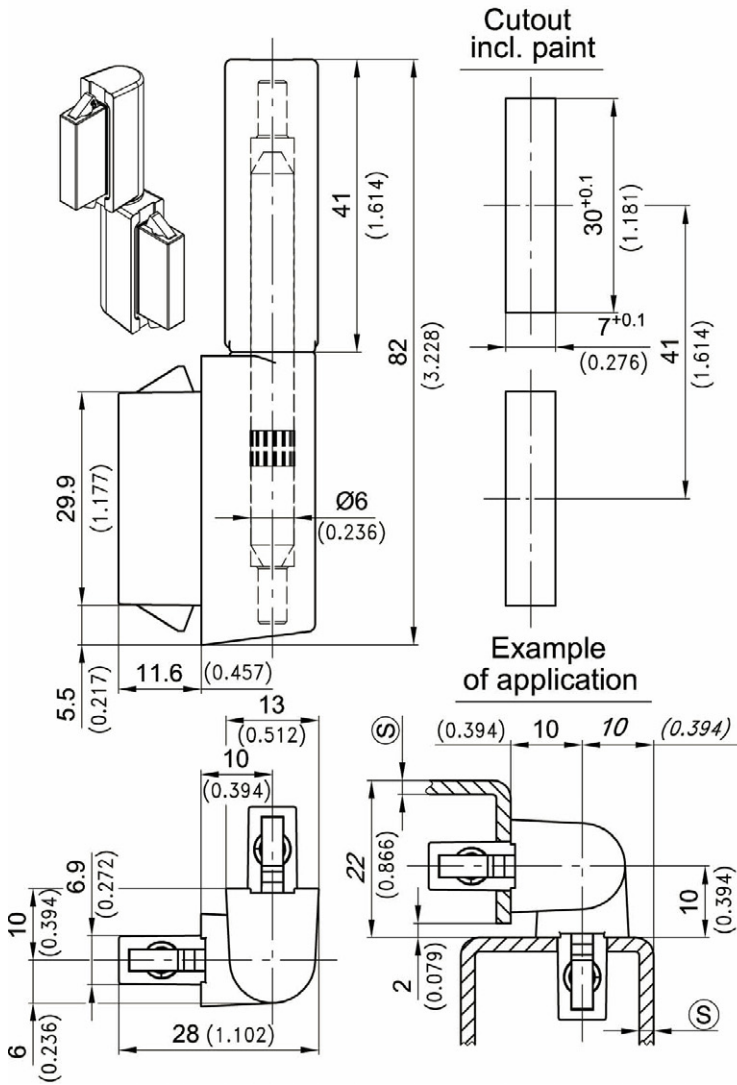
BOTTOM



FINISH	MATERIAL	PART NUMBER
Chrome plated	Brass	HIB650NS-E
Black EDP coated	Brass	HIB650E-BLKNS
Polished	Stainless steel 316	HIB650SS-316NS
Chrome plated	Zinc die cast	HIB650NS-ZN



SNAP IN FIXING HINGE



FEATURES:

- Elegant 180° corner hinge for surface mounted doors
- 180° Opening angle
- Lift-off
- RH and LH application
- The O-ring for IP65 DIN EN 60529 is included

MATERIAL & FINISH:

Corner Hinge zinc die, matt black
 Pin Stainless steel
 Snap wedge Sintered steel



GRIP RANGE

1.5mm to 2.2mm

PART NUMBER

417-9018.00-00019

82MM PINTLE HINGE SHORT PIN

FEATURES:

- Stainless steel pin
- Interchangeable male & female components

DIMENSIONS:

Height = 16mm
 Length = 82mm
 Pin diameter = 6mm

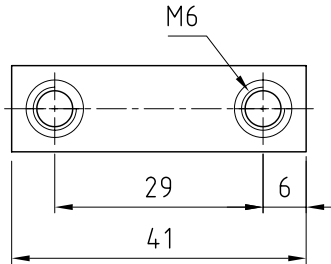
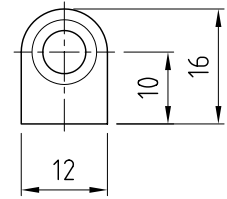
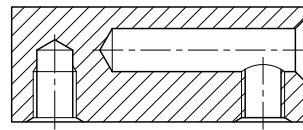
MATERIAL & FINISH:

Hinge Body (refer to the table)
 Pin Stainless steel

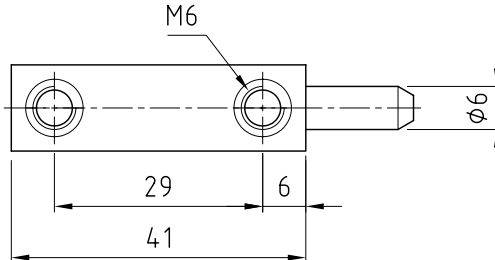
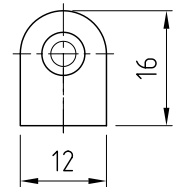
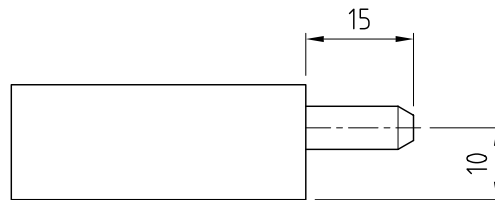
SCREWS:

[Hex multi head - F-HMHSS-M6X8](#)
[Socket head cap - F-SCS-M6X8-ZP](#)
[Refer to page 11-10 for entire range](#)

Box quantity: 200



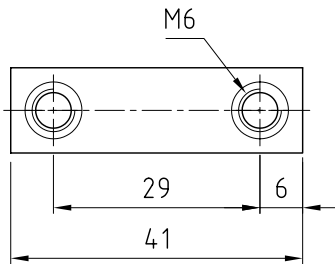
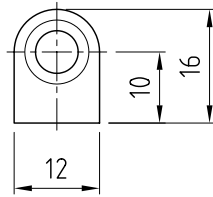
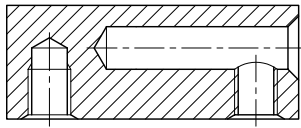
TOP



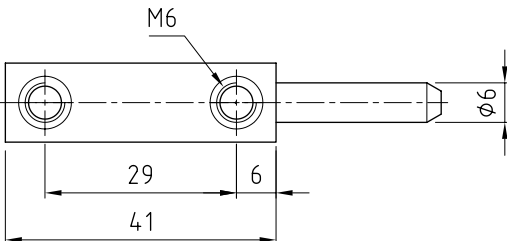
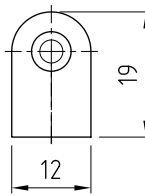
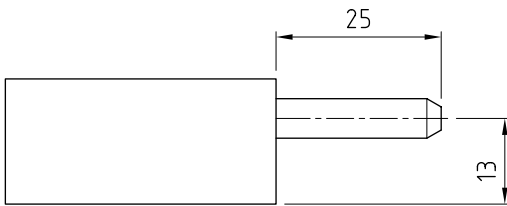
BOTTOM

FINISH	MATERIAL	PART NUMBER
Chrome plated	Brass	HIB650NS-SHORT

82MM STEPPED PINTLE HINGE



TOP



BOTTOM

FEATURES:

- Brass
- Stainless steel pin
- High quality chrome plating
- Interchangeable male & female components

DIMENSIONS:

Height (female) = 16mm
 Height (male) = 19mm
 Length = 82mm
 Pin diameter = 6mm

MATERIAL & FINISH:

Hinge Body Brass, chrome plated
 Pin Stainless steel

SCREWS:

[Hex multi head - F-HMHSS-M6X8](#)
[Socket head cap - F-SCS-M6X8-ZP](#)
[Refer to page 11-10 for entire range](#)

Box quantity: 200



FINISH	MATERIAL	PART NUMBER
Chrome plated	Brass	HIB820NS-E
Polished	Stainless steel	HIB820SS-316NS

82MM STEPPED PINTLE HINGE

FEATURES:

- Brass
- Stainless steel pin
- High quality chrome plating
- Interchangeable male & female components

DIMENSIONS:

Height (female)	= 16mm
Height (male)	= 24mm
Length	= 82mm
Pin diameter	= 6mm

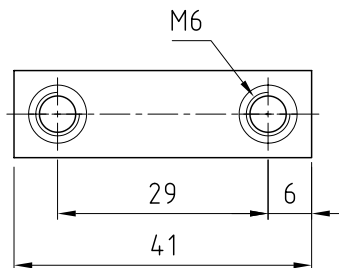
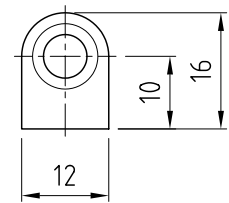
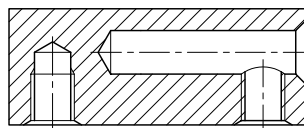
MATERIAL & FINISH:

Hinge Body	Brass, chrome plated
Pin	Stainless steel

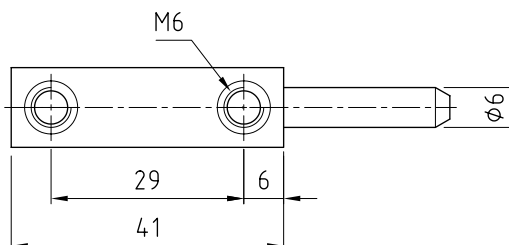
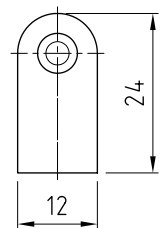
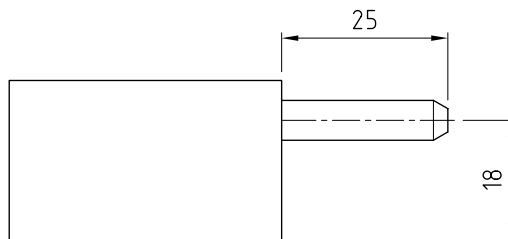
SCREWS:

[Hex multi head - F-HMHSS-M6X8](#)
[Socket head cap - F-SCS-M6X8-ZP](#)
 Refer to page 11-10 for entire range

Box quantity: 200



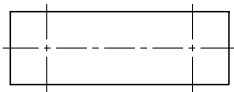
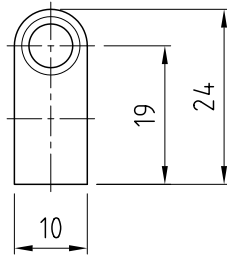
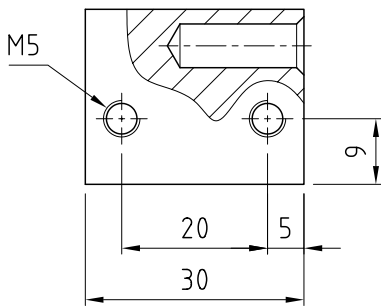
TOP



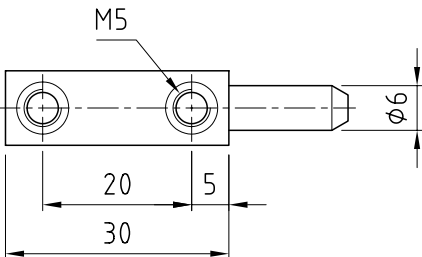
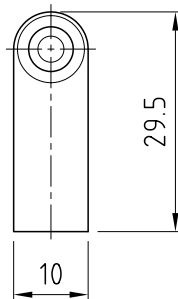
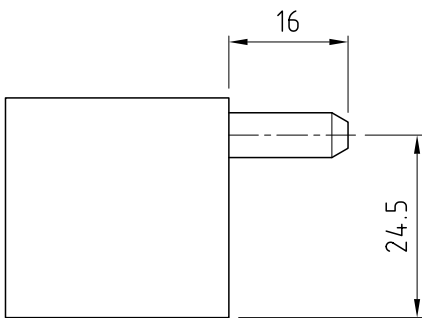
BOTTOM

FINISH	MATERIAL	PART NUMBER
Chrome plated	Brass	HIB880NS-E

HIB900NS



TOP



BOTTOM

FEATURES:

- Brass
- Stainless steel pin
- High quality chrome plating
- Interchangeable male & female components

DIMENSIONS:

Height (female)	= 24mm
Height (male)	= 29.5mm
Length	= 60mm
Pin diameter	= 6mm

MATERIAL & FINISH:

Hinge Body	Brass, chrome plated
Pin	Stainless steel

Box quantity: 200



FINISH	MATERIAL	PART NUMBER
Chrome plated	Brass	HIB900NS-E

HIB860NS-E

FEATURES:

- Brass
- Stainless steel pin
- High quality chrome plating
- Interchangeable male & female components

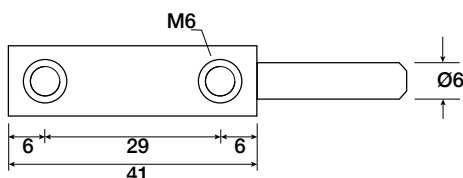
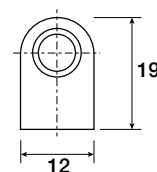
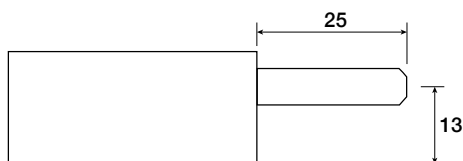
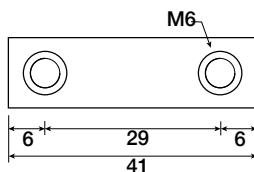
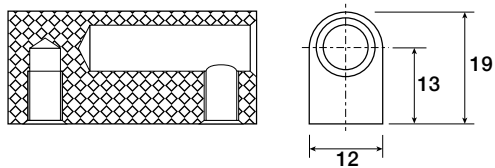
DIMENSIONS:

Height = 19mm
Length = 82mm
Pin diameter = 6mm

MATERIAL & FINISH:

Hinge Body Brass, chrome plated
Pin Stainless steel

Box quantity: 200



FINISH

Chrome Plated

PART NUMBER

HIB860NS-E

HEX MULTI-HEAD SERRATED SCREW

FEATURES:

- M6 X 8
- Serrations under head for earthing purposes
- Available in mild steel-zinc plated or stainless steel



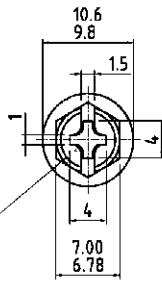
SOCKET HEAD CAP SCREW

FEATURES:

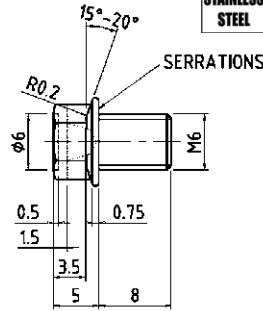
- M6 X 8
- Available in mild steel-zinc plated or stainless steel



TYPE I CROSS RECESS



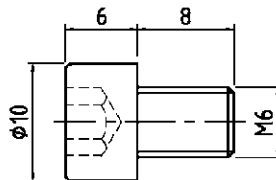
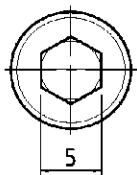
SELECTLOK
STAINLESS
STEEL



Please note : small hex shown

MATERIAL	FINISH	PART NUMBER
Mild steel	Zinc plated	F-HMHSS-M6X8
Stainless steel	-	F-HMHSS-M6X8-SS
Mild steel	Zinc plated	HIB650E-SCREW (LARGE HEX)
Stainless steel 316	-	HIB650-SCREW-SS

SELECTLOK
STAINLESS
STEEL

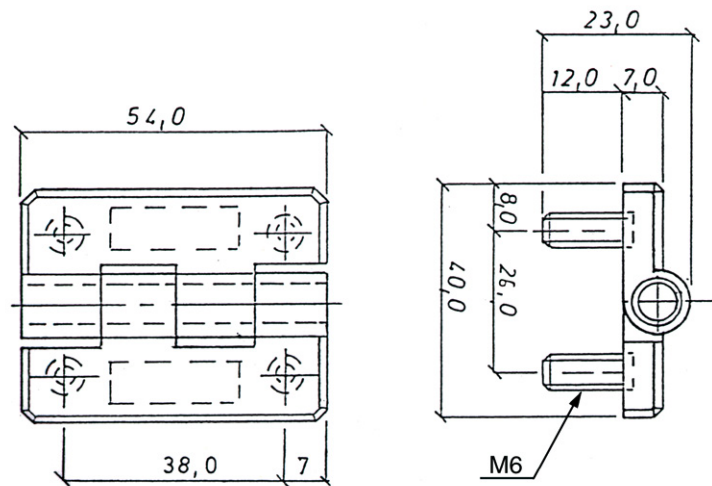
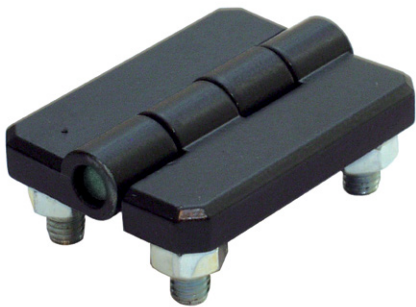


MATERIAL	FINISH	PART NUMBER
Mild steel	Zinc plated	F-SCS-M6X8-ZP
Stainless steel	-	F-SCS-M6X8-SS

SCREW-ON HINGE

FEATURES:

- Zinc die cast
- Stainless steel pin
- High quality black powder coated
- For flush mounted doors

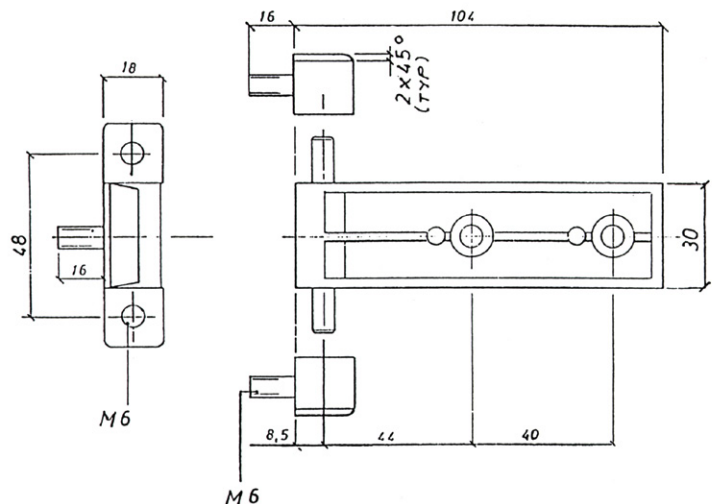


FINISH	DESCRIPTION	PART NUMBER
Black powder coated	Pedestal hinge	101-0168

PEDESTAL HINGE

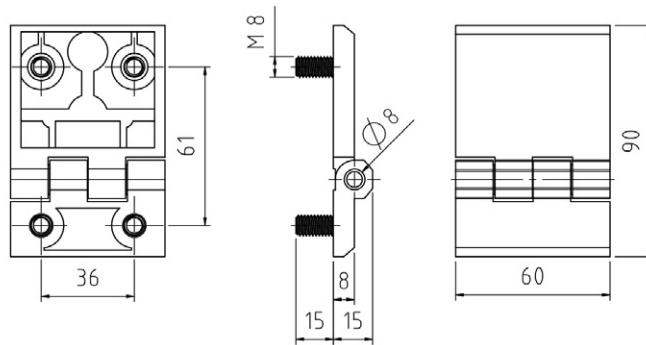
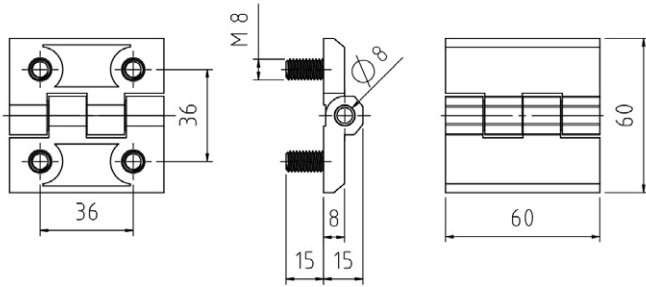
FEATURES:

- Zinc die cast
- Heavy duty
- High quality black powder coated
- For flush mounted doors



FINISH	DESCRIPTION	PART NUMBER
Black powder coated	Pedestal hinge	101-0145

SCREW-ON HINGE



FEATURES:

- Zinc die cast
- Stainless steel pin
- High quality black powder coated
- For flush mounted doors

DIMENSIONS:

Studs = M8

MATERIAL

Hinge Zinc die cast
Pin Stainless steel

FINISH:

Black coated or Chrome plated
(Orange peel finish)

Please note:

- Combination of studs + countersunk mounting available on request
- Minimum order quantities apply

Dimension	Finish	Fixing Method	PART NUMBER
60x60mm	Black EDP Coated	Front Fixing	M399-1-2-4
60x60mm	Chrome Plated	Front Fixing	M399-1-1-4
60x60mm	Black EDP Coated	Rear Fixing	M399-1-2-1
60x60mm	Chrome Plated	Rear Fixing	M399-1-1-1
60x90mm	Black EDP Coated	Front Fixing	M399-1-2-5
60x90mm	Chrome Plated	Front Fixing	M399-1-1-5
60x90mm	Black EDP Coated	Rear Fixing	M399-1-2-2
60x90mm	Chrome Plated	Rear Fixing	M399-1-1-2
60x120mm	Black EDP Coated	Rear Fixing	M399-1-2-3
60x120mm	Chrome Plated	Rear Fixing	M399-1-1-3
60x120mm	Black EDP Coated	Front Fixing	M399-1-2-6
60x120mm	Chrome Plated	Front Fixing	M399-1-1-6

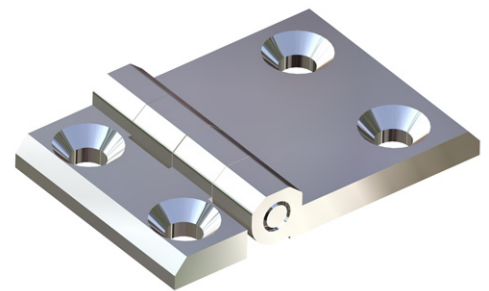


Photo shows front fixing

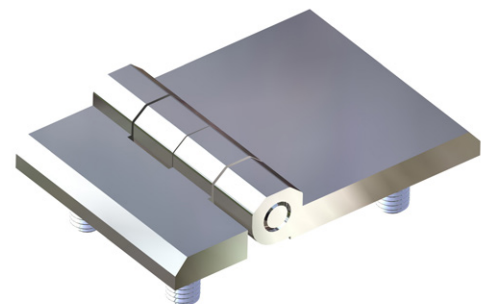
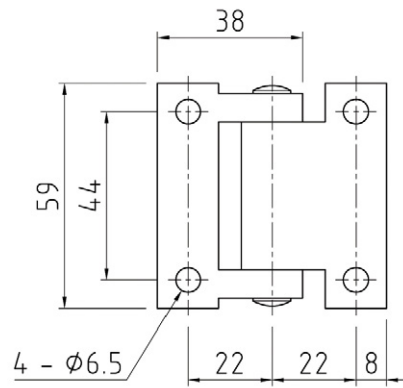


Photo shows rear fixing

SIDE DOOR HINGE

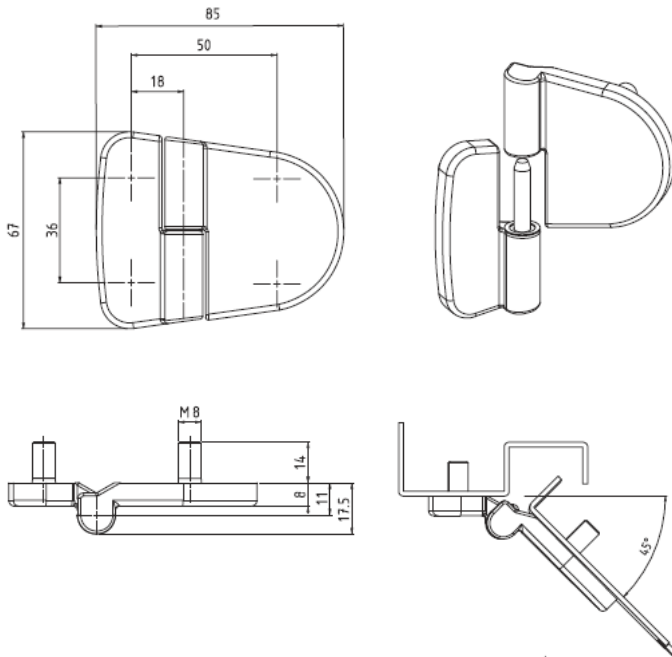
MATERIAL & FINISH:

- Stainless steel
- Polished



MATERIAL	PART NUMBER
Stainless steel	113080-S

LIFT - OFF HINGE



FEATURES:

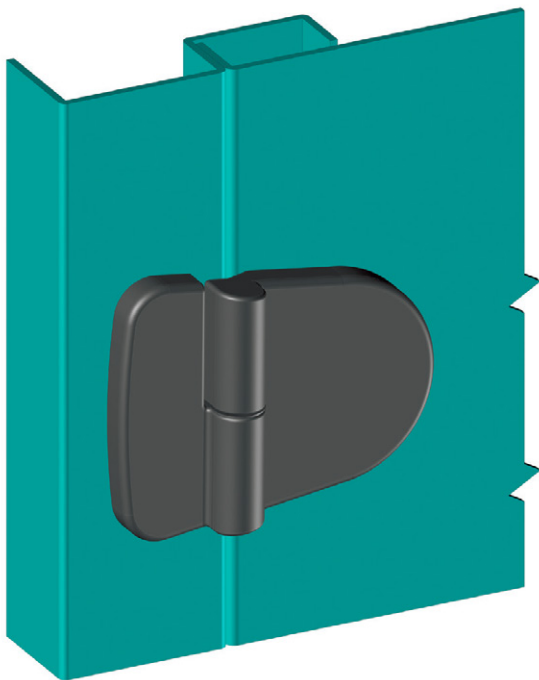
- Concealed mounting screws prevent external access to the hinge.
- Design for plain/flush mounted doors.
- Lift off hinge.
- Left and right hand opening doors.

APPLICATIONS

Generators, machinery covers, electric panels

MATERIAL & FINISH:

Body Zamak DIN-EN 1774
Pin Stainless steel



Description	FINISH	PART NUMBER
Right	Black coated	M1499-1-2-001
Left	Black coated	M1499-1-2-002

BUTT HINGE

MATERIAL & FINISH:

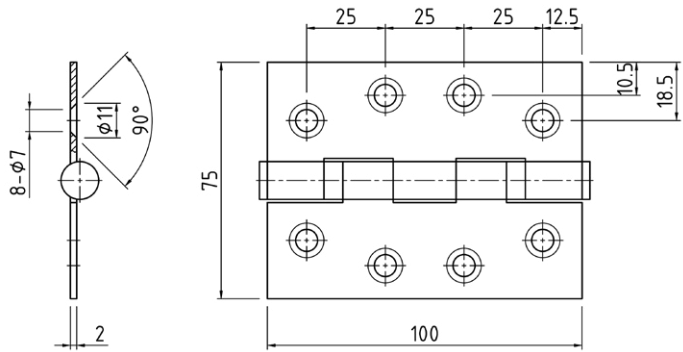
- Stainless steel
- Ball bearings to aid movement

DIMENSIONS:

Height = 100mm
 Width = 75mm
 Material thickness = 2mm



SELECTLOK
STAINLESS
STEEL



HEIGHT	WIDTH	PART NUMBER
100mm	75mm	HIB100752SS

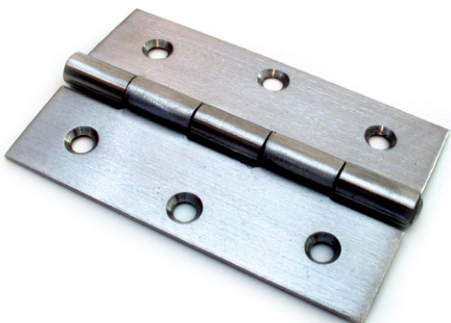
BUTT HINGE

MATERIAL & FINISH:

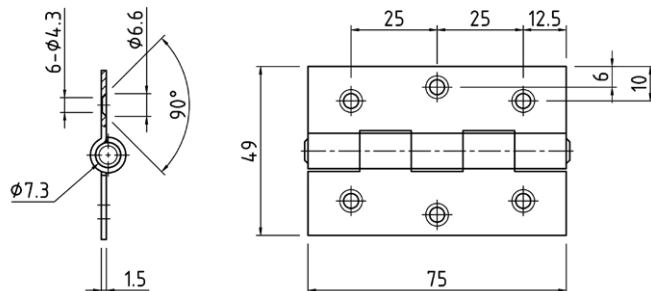
- Stainless steel

DIMENSIONS:

Height = 75mm
 Width = 49mm
 Material thickness = 1.5mm



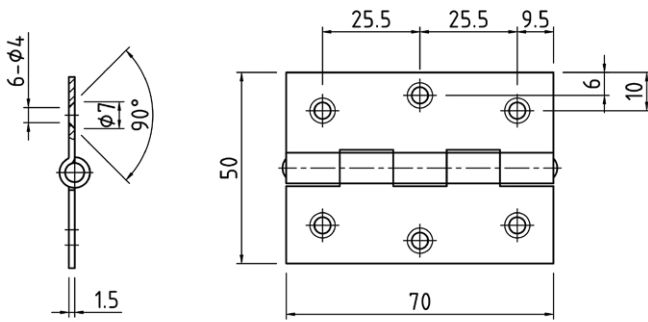
SELECTLOK
STAINLESS
STEEL



HEIGHT	WIDTH	PART NUMBER
75mm	49mm	HIB7550SS

SELECTLOK
STAINLESS
STEEL

BUTT HINGE

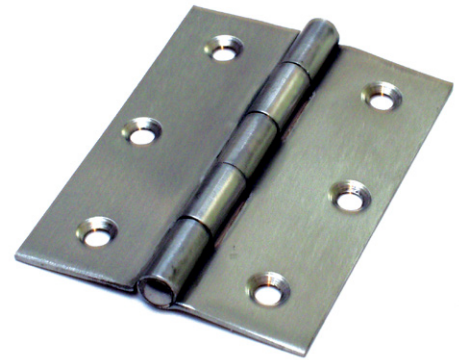


FEATURES:

- Stainless steel

DIMENSIONS:

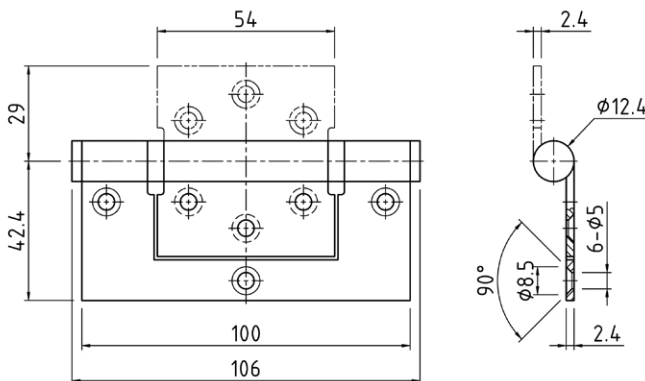
Height = 70mm
Width = 50mm
Material thickness = 1.5mm



HEIGHT	WIDTH	PART NUMBER
70mm	50mm	HIB705016SS

SELECTLOK
STAINLESS
STEEL

NON-MORTICE HINGE

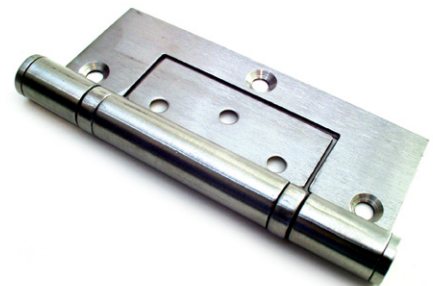


FEATURES:

- Stainless steel

DIMENSIONS:

Height = 100mm
Width = 71.4mm
Material thickness = 2.4mm



HEIGHT	WIDTH	PART NUMBER
100mm	71.4mm	HIB100SS

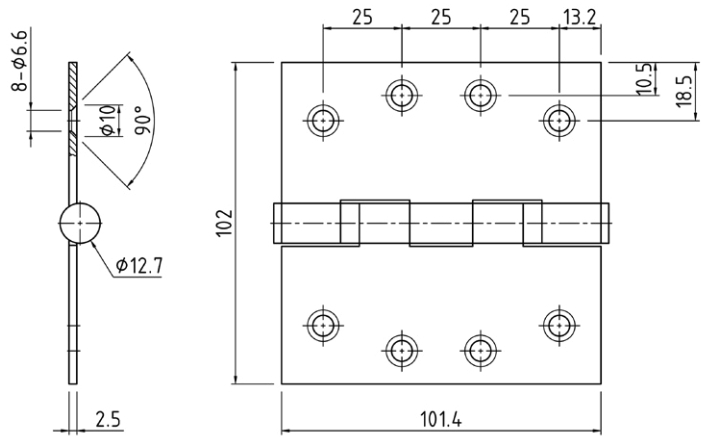
BUTT HINGE

FEATURES:

- Stainless steel
- Ball bearings to aid movement

DIMENSIONS:

Height = 101.4mm
 Width = 102mm
 Material thickness = 2.5mm



HEIGHT	WIDTH	PART NUMBER
101.4mm	102mm	HIB44SS

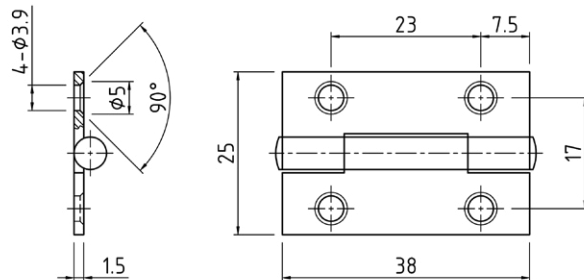
BUTT HINGE

FEATURES:

- Available in mild or stainless steel

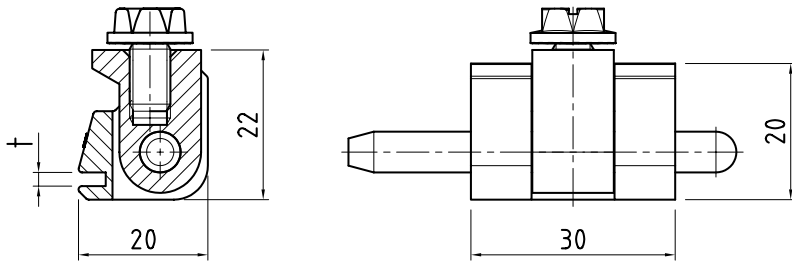
DIMENSIONS:

- Height = 38mm
- Width = 25mm



MATERIAL	FINISH	t (mm)	PART NUMBER
Mild steel	Mild steel	1.0	HIB382506
Stainless steel	-	0.8	HIB3725SS

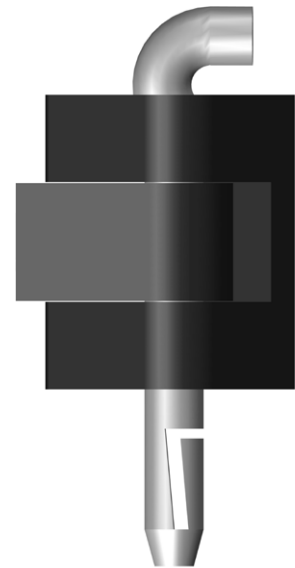
CORNER HINGE



FEATURES:

- Zinc die cast
- Delrin® pin
- Black EDP coated

PART NUMBER	FINISH	PIN	DOOR THICKNESS	STUD FIX
PI5346-MB-6-2-S	Matt black	Mild Steel	1.5mm to 2.3mm	YES
PI5346-B-1-2-S	Black	Delrin	1.5mm to 2.3mm	YES
PI5346-B-6-2-S	Black	Mild Steel	1.5mm to 2.3mm	YES



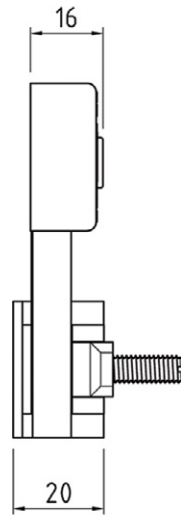
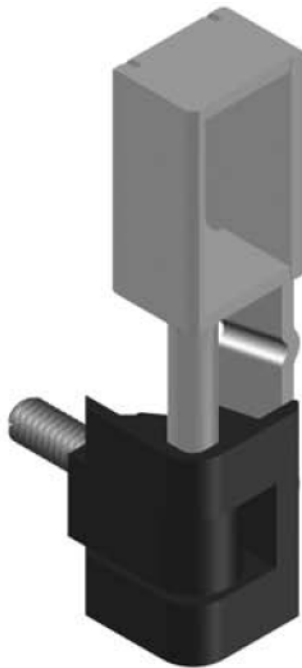
SEMI-CONCEALED HINGE WITH PIN CAPTIVE

FEATURES:

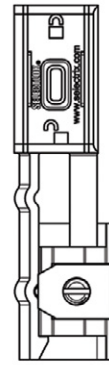
- Zinc die cast
- Black satin EDP coated
- Secure Delrin® and mild steel zinc plated pin
- Pin captive when door removed from cabinet

DIMENSIONS:

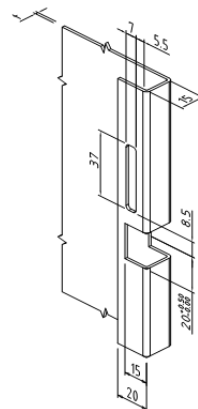
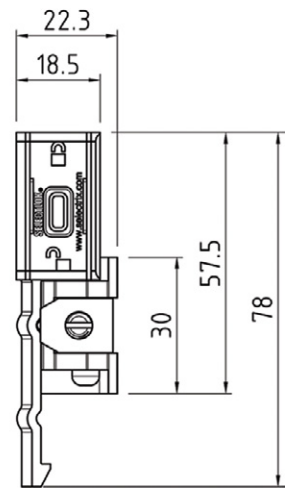
Suit door thickness 1 mm - 1.8 mm



Uninstalled Position

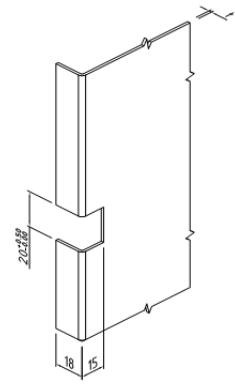


Installed Position



Cut-out

For Door version 1



Cut-out

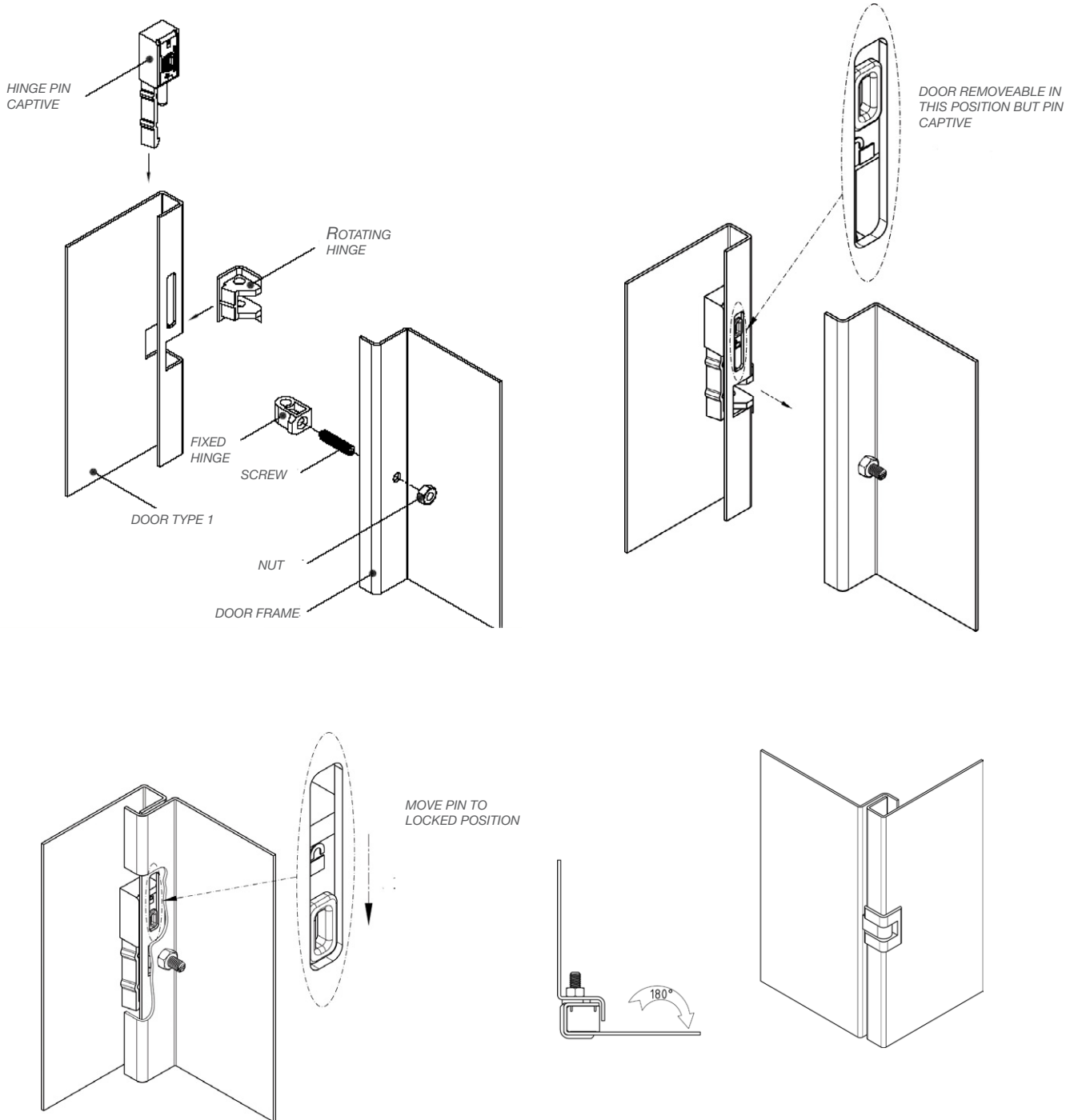
For Door version 2

FINISH	PIN STYLE	PART NUMBER
Black satin EDP coated	Style 7	PI5103-B-7-1-S

Patent/design registration applied for

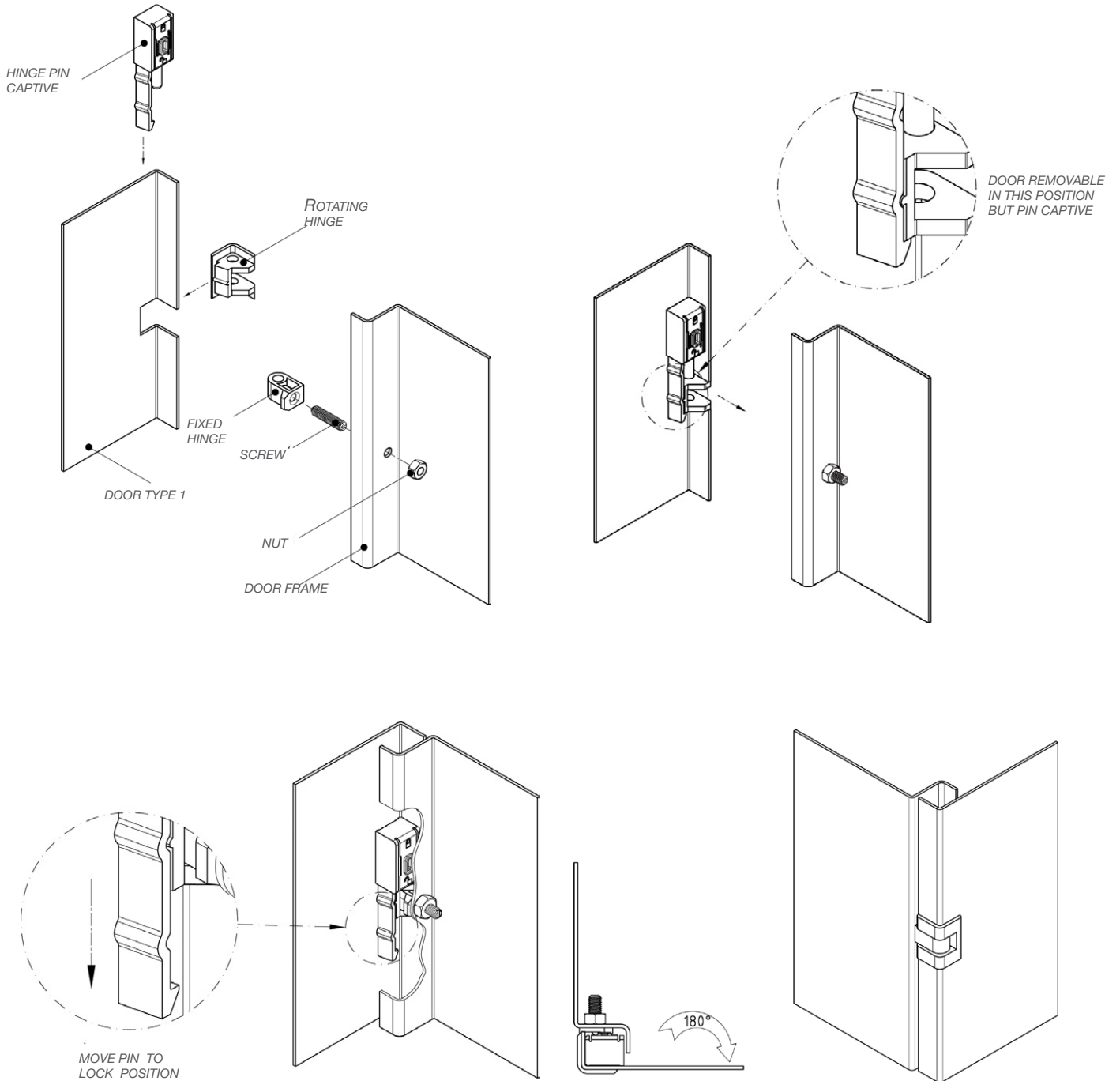
INSTALLATION DIAGRAM

INSTALLATION DIAGRAM FOR DOOR TYPE 1



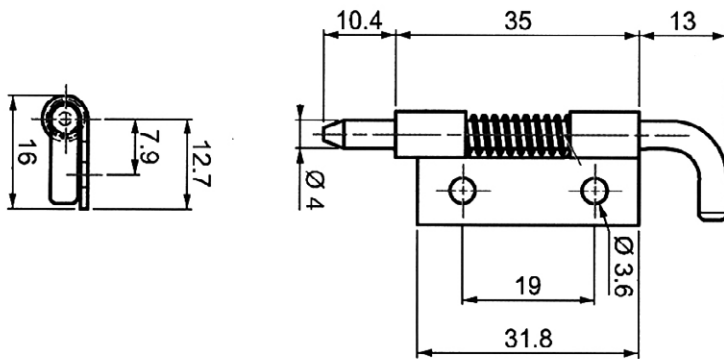
INSTALLATION DIAGRAM

INSTALLATION DIAGRAM FOR DOOR TYPE 2



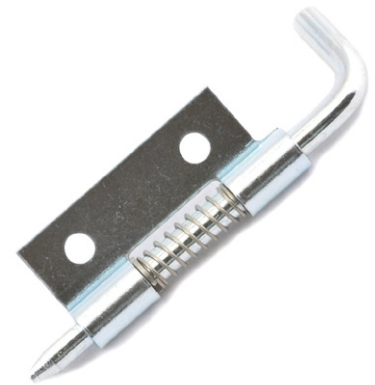
SELECTLOK
STAINLESS
STEEL

SPRING LOADED HINGE



FEATURES:

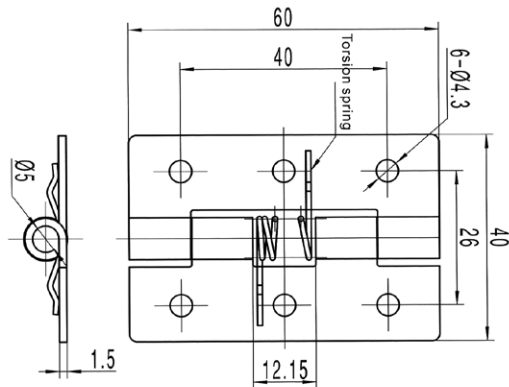
- Can be screwed or welded on
- Suitable for left or right hand applications
- Pin diameter: 4mm



MATERIAL	FINISH	PART NUMBER
Stainless steel	-	M289-4-0-1

SELECTLOK
STAINLESS
STEEL

SPRING LOADED BUTT HINGE



FEATURES:

- Stainless steel
- For self-closing applications

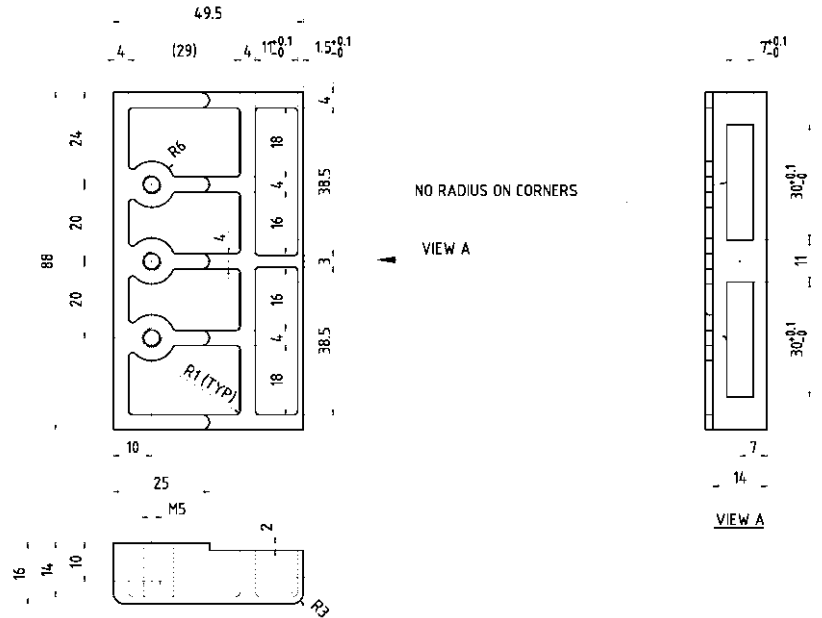
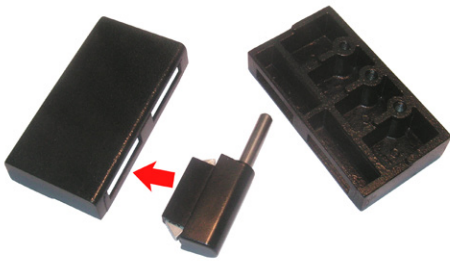


MATERIAL	PART NUMBER
Stainless steel	CL253-6

GLASS DOOR HINGE

MATERIAL & FINISH:

- Adaptor plate for glass doors
- To suit Dirak Snap-Line hinge part no. 417-9015.00-01216
- Left or right hand applications
- Zinc die cast/black powder coated

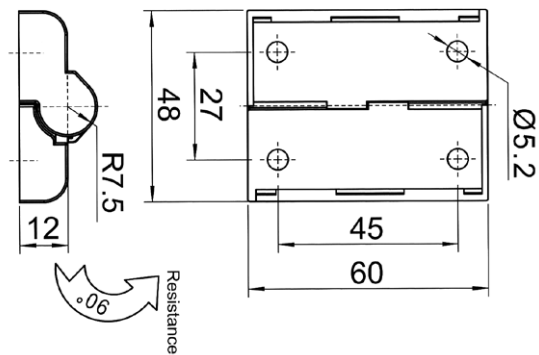


MATERIAL	FINISH	PART NUMBER
Zinc die cast	Black powder coated	P3185

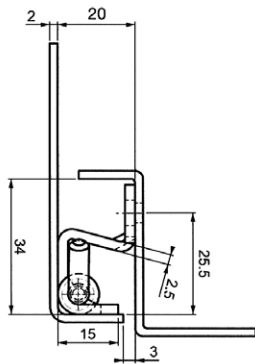
TORQUE BUTT HINGE

FEATURES:

- Zinc die cast/nanometer plating
- Stainless steel shaft
- 90° rotation



MATERIAL	FINISH	PART NUMBER
Zinc die cast	Silver nanometer	CL299-1-Z



SELECTLOK
STAINLESS
STEEL

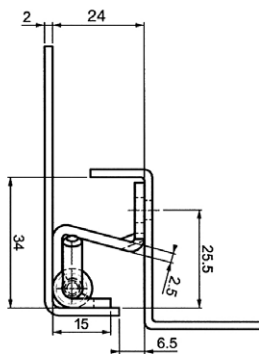
CONCEALED HINGE

FEATURES:

- For doors with bending of 20mm
- Frame part screw on
- Door part weld on



MATERIAL	FINISH	PART NUMBER
Mild steel	Zinc plated	M295-6-3-1
Stainless steel	-	M295-4-0-1

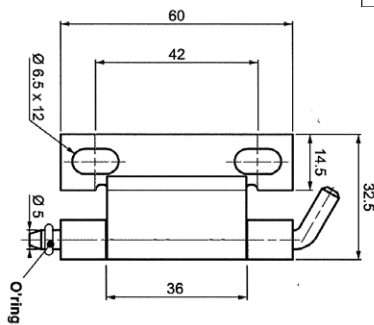


SELECTLOK
STAINLESS
STEEL

CONCEALED HINGE

FEATURES:

- For doors with bending of 24mm
- Frame part screw on
- Door part weld on



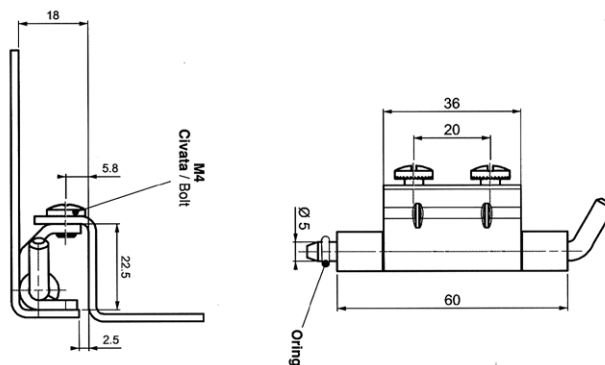
MATERIAL	FINISH	PART NUMBER
Stainless steel	-	M295-4-0-2



CONCEALED HINGE

FEATURES:

- For doors with bending of 18mm
- Frame part is screwed on, door part is either welded on or screwed on
- LH and RH application is possible material and finished
- Body steel, zinc plated welding part steel, copper plated

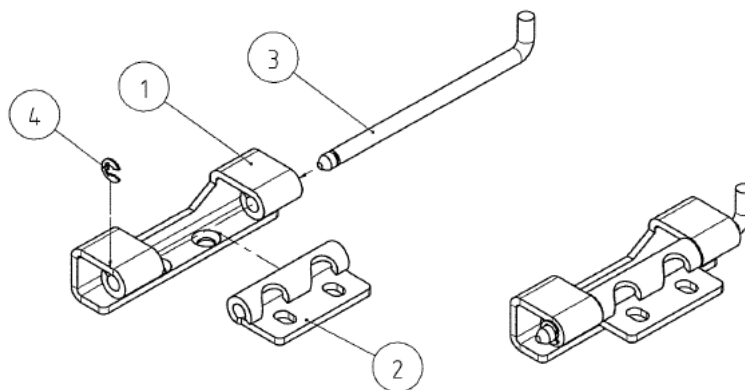
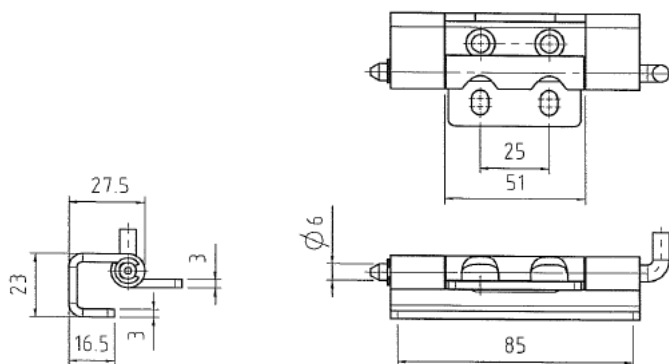


MATERIAL	FINISH	PART NUMBER
Mild steel	Zinc plated	M695-6-3-1
Stainless steel	-	M695-4-0-1

CONCEALED HINGE

FEATURES:

- Heavy duty application
- RH or LH application
- Used for surface-mounted doors
- Maximum opening angle 120°
- Oblong and countersunk holes for M6

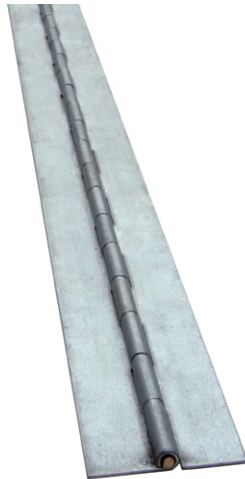
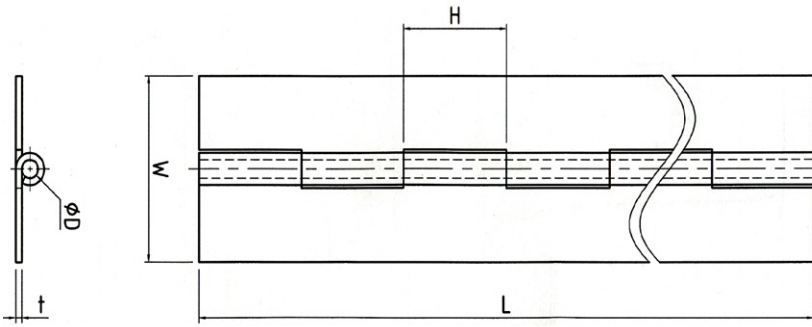


MATERIAL	FINISH	PART NUMBER
Mild steel	Zinc plated	PI5373-01-MS
Mild steel	Aluminium untreated	PI5373-01-AL

PIANO HINGE

FEATURES:

- Zero spangle galvabond material or 304 stainless steel available
- Available in custom lengths (MOQ 2000 lengths)

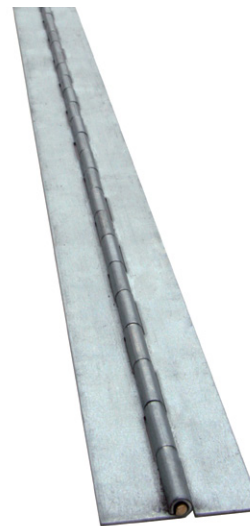
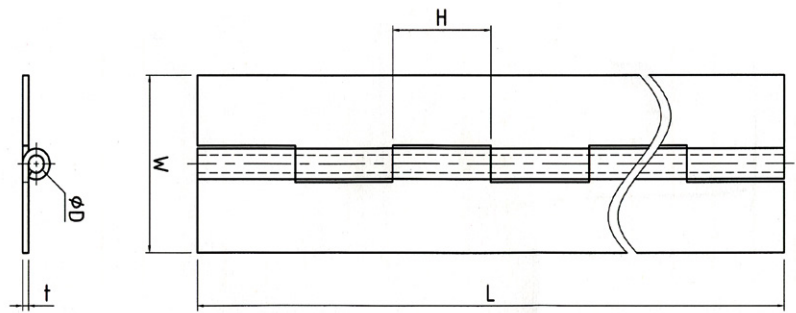


MATERIAL	W OPEN WIDTH (mm)	H KNUCKLE WIDTH (mm)	T MATERIAL THICK. (mm)	D PIN DIA. (mm)	L LENGTH (mm)	PART NUMBER
GALVABOND WITH BRASS PIN	32	13	1.2	3.18	1800	HIP32
	38	13	1.2	3.18	1800	HIP38
	50	13	1.2	3.18	1800	HIP50
304 GRADE STAINLESS STEEL WITH STAINLESS STEEL PIN	32	13	1.2	3.18	1800	HIP32-SS
	38	13	1.2	3.18	1800	HIP38-SS
	50	13	1.2	3.18	1800	HIP50-SS
	57	24.5	1.6	5	2200	HIP57SS

PIANO HINGE

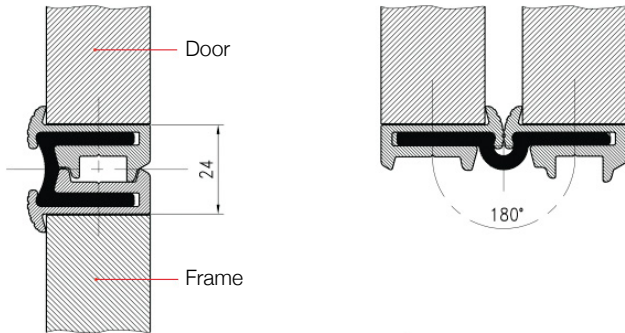
FEATURES:

- Zero spangle galvabond material or 304 stainless steel available
- Pin diameter: 2.5 mm
- Available in custom lengths (MOQ 2000 lengths)



MATERIAL	W OPEN WIDTH (mm)	H KNUCKLE WIDTH (mm)	T MATERIAL THICK. (mm)	D PIN DIA. (mm)	L LENGTH (mm)	PART NUMBER
GALVABOND BOND WITH BRASS PIN	32	9	1.0	2.5	1000	HIP32-1000-N
	38	9	1.0	2.5	1800	HIP38-N
	50	9	1.0	2.5	1000	HIP50-1000-N
	50	9	1.0	2.5	1800	HIP50-N
304 GRADE STAINLESS STEEL WITH STAINLESS STEEL PIN	32	9	1.0	2.5	1000	HIP32SS-1000-N
	50	9	1.0	2.5	1800	HIP50SS-N

POLIALL HINGE

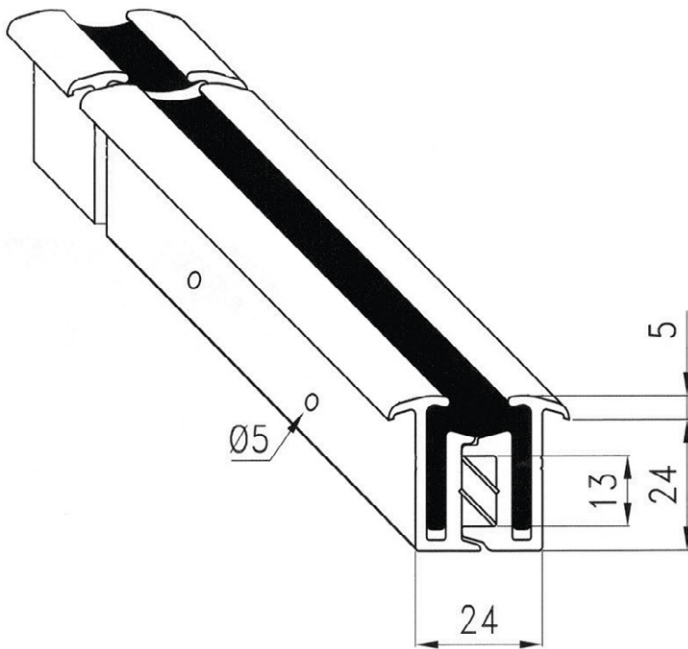


FEATURES:

- Pre-drilled holes dia. 5.0mm
- Temperature range: -20°C to +40°C
- 30,000 cycles of opening/closing

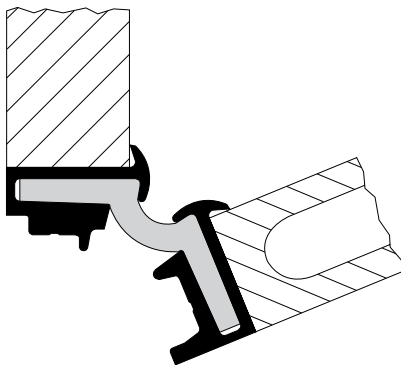
MATERIAL:

- Natural Anodized Aluminium
- Black Polyuretán



LENGTH (mm)	PRE-DRILLED HOLE DIAMETER (mm)	PART NUMBER
1800	5.0	631218-E
2200	5.0	631222-E
2400	5.0	631224-E

TILA CONTINUOUS HINGE



ADVANTAGES:

- Suitable for doors, tailgates, covers and flaps.
- Only minimal external protrusion. A contribution towards road safety since the risk of injury caused by dangerous, protruding fittings, is eliminated.
- Hinge and seal all-in-one - along the entire length.
- Absolute precision - when in the closed position the two aluminium profiles interlock together. They can only be dismantled when the door, tailgate, cover are open. Forced entry can only be made by cutting the plastic profile, leaving behind visible evidence.
- Virtually no wear.
- Totally maintenance free - has been in practical use for more than two decades, primarily in the bodywork and vehicle area, tried and tested.
- Supplied ready-assembled in standard and special lengths (by request).

THE FUNCTION

The 'hinge' takes a specially moulded plastic profile made from a special POLYURETHANE elastomer with permanent elasticity and high tear resistance. Opening angles of more than 180° or 270° are achieved depending upon the profile design. Continuous stress when in the open position requires the use of a holding mechanism to keep the hinge open, e.g. in the case of doors - a Door retainer.

POTENTIAL USES

Can be fitted to doors, tailgates, lids of all kind, as single element or as an add-on unit (for so-called folding or concertina designs), in bodywork and vehicle construction, for boot and van fixings, sales vehicles and buses etc. For use wherever flaps, lids and doors are required.

INSTALLATION

Is extremely simple since the TILA continuous hinge is supplied in the open position using spacers and with holes already pre-drilled, ready for installation.

1. Attach the TILA continuous hinge to door, flap or lid.
2. Fit the installation element to the installation frame and attach the 2nd blade of the TILA continuous hinge to it.
3. If you open the door, flap or lid further out the spacers fall out and the door, flap or lid is hinged and ready to use.

As with many 'synthetic' materials, care should be taken when subjecting the hinge to specific and specialised influences which may have unexpected detrimental effects. These include, amongst others hydrolysis, microbe infestation, sudden mechanical stresses (e.g. sudden opening) in conjunction with extremely low temperatures, corrosive acids, alkaline solutions and cleaning agent additives.

Moreover, we would ask you to consult us if you have any enquiries so we can provide you with optimum advice. The above mentioned technical data, information and recommendations are intended as a guide but is not binding! These reflect our latest knowledge at the time this product information was submitted for printing and does not exempt the user from carrying out their own precise examination of the potential uses for our products in each individual case.

We reserve the right to carry out design modifications.
The technical data is intended as a guide but is not binding!

TILA HINGE

FEATURES:

- Pre-drilled holes dia. 4.0mm, gap 100mm
- Temperature range: -40°C to +80°C
- Hydrolysis and bacteria resistant
- Pack size: 2 off in sealed plastic wrapping

MATERIAL:

- Aluminium profile - AlMgSi 0.5 anodised, E6 EV1, matt silver colour
- Polyurethane elastomer plastic profile, black

* Special lengths/special bores and distances between holes available on request.

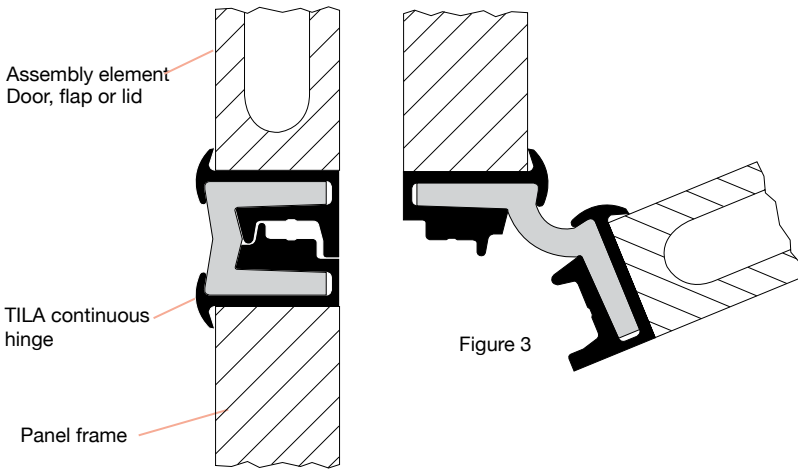
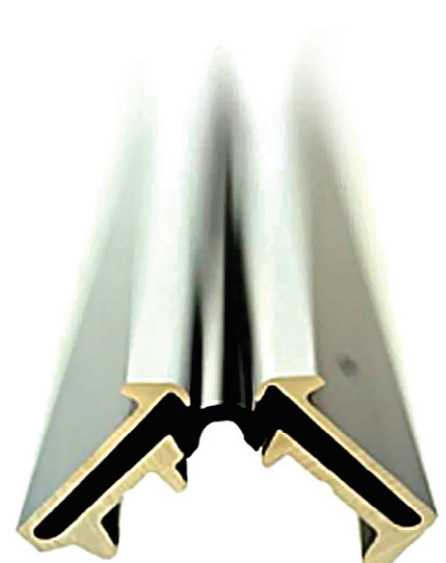
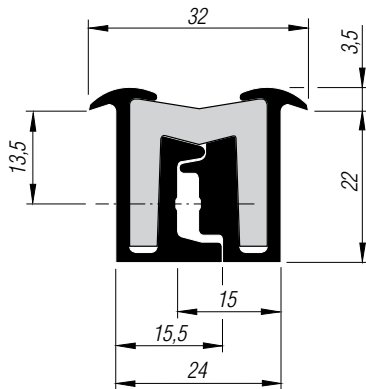


Figure 3

Figure 2

Suggested installation, non-binding - particularly important for flaps and lids. The TILA 22/180° continuous hinge should be installed as shown in Figure 2 and 3. Note the correct arrangement of the various aluminium clamping profiles on the panel and assembly element.

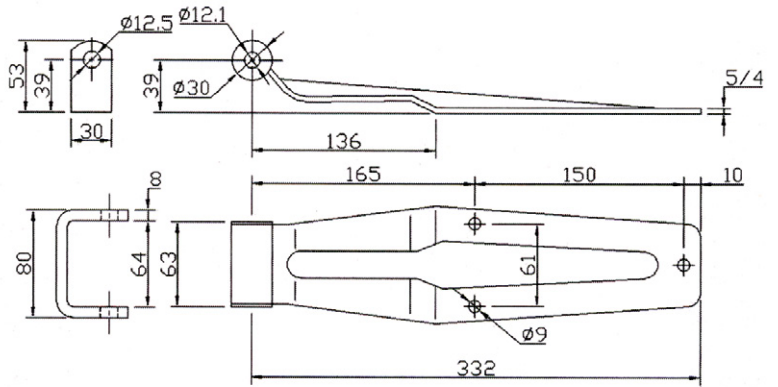


LENGTH (mm)	NO. OF HOLES	APPROX WEIGHT CAPACITY (ea) KG	PART NUMBER
1800	18	2050	631218
2200	22	2500	631222
2400	24	2750	631224
2700	27	3100	631227

REAR DOOR LEAF HINGE

FEATURES:

- Heavy duty construction
- Supplied with mounting bracket, bolts & nuts

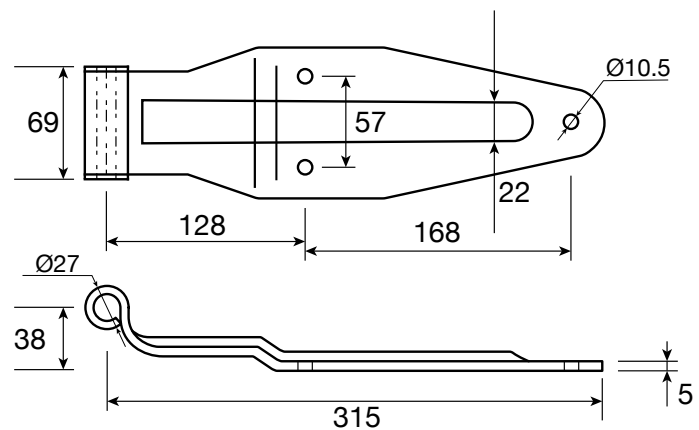


MATERIAL	FINISH	PART NUMBER
Mild steel	Zinc plated	031000
Mild steel	White powder coated	031000P

REAR DOOR LEAF HINGE

FEATURES:

- Heavy duty construction
- Supplied with mounting bracket, bolts & nuts
- Comes unassembled



MATERIAL	PART NUMBER
Normal weld on butt with pin	60032-kit 1
Weld on offset butt with pin	60032-kit 2

BRACKET

FEATURES:

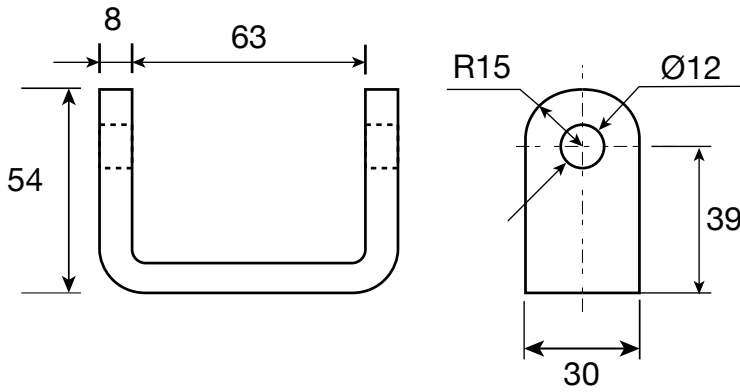
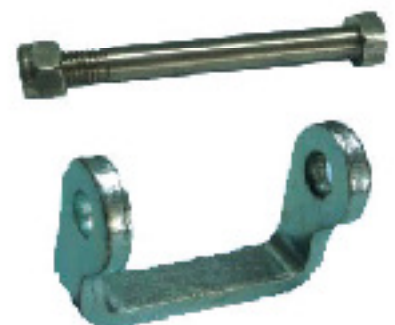
- Material: Steel/Stainless steel
- Weight: Steel = 0.3kg, Stainless steel = 0.356kg
- Surface: Zinc plated/Polished



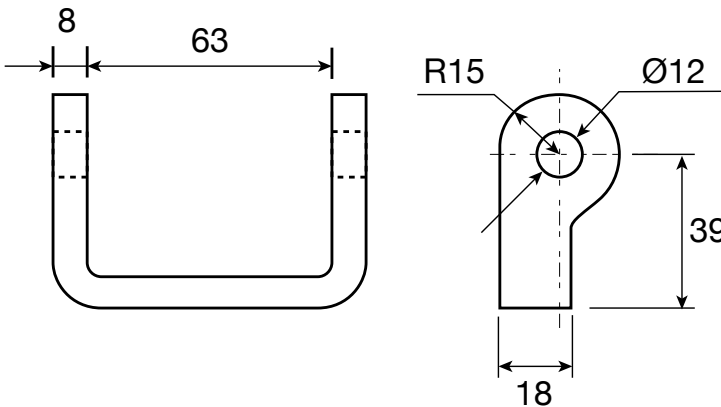
BRACKET

FEATURES:

- Material: Steel/Stainless steel
- Weight: 0.288kg
- Surface: Zinc plated/Polished



MATERIAL	FINISH	PART NUMBER
Steel	Zinc plated	112001
Stainless steel	-	112001-S



MATERIAL	FINISH	PART NUMBER
Steel	Zinc plated	112003

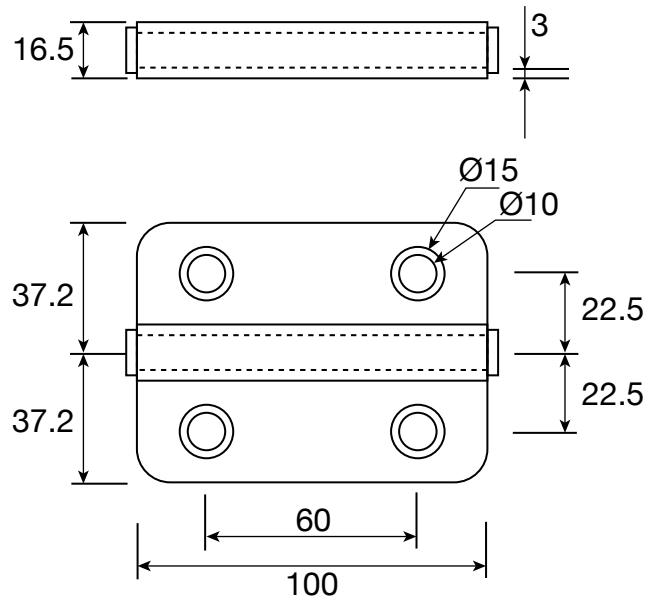
HINGE

FEATURES:

- Lift-off hinge with washer
- Material: Stainless steel
- 4*M8 screws & 4*washer & 4*M8 hex.nut
- Other size upon request



SELECTLOK
STAINLESS
STEEL

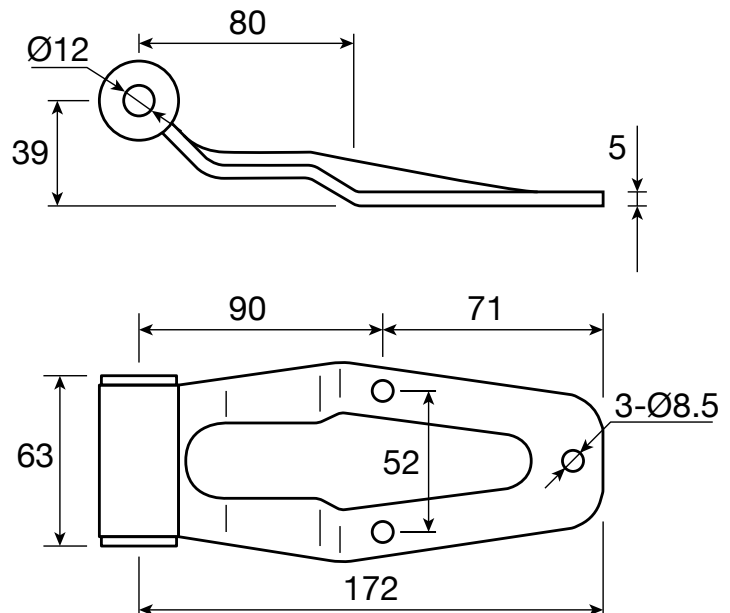


MATERIAL	OPENING	PART NUMBER
Stainless steel	Right	HIB100x75R-SS
Stainless steel	Left	HIB100x75L-SS

HINGE

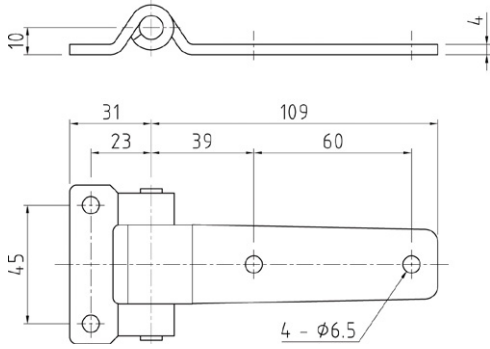
FEATURES:

- Material: Steel/Stainless steel
- Weight: Steel = 0.582kg, Stainless steel = 0.482kg
- Surface: Zinc plated/Polished



MATERIAL	FINISH	PART NUMBER
Steel	Zinc plated	111031

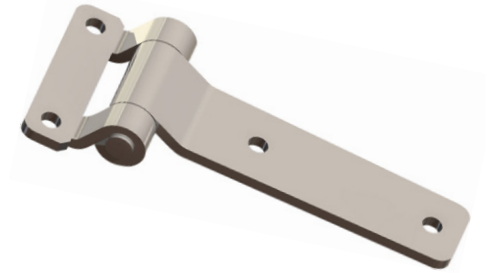
SELECTLOK
STAINLESS
STEEL



DOOR HINGE

MATERIAL & FINISH:

- Stainless steel
- Polished



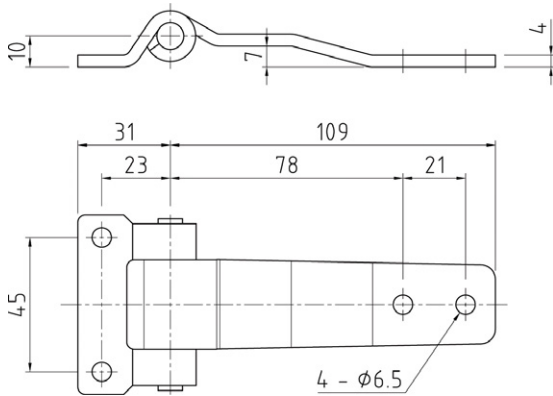
MATERIAL

PART NUMBER

Stainless steel

113040-S

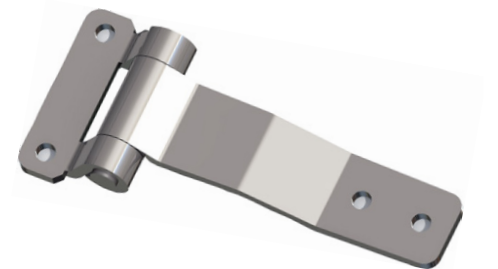
SELECTLOK
STAINLESS
STEEL



DOOR HINGE

MATERIAL & FINISH:

- Stainless steel
- Polished



MATERIAL

PART NUMBER

Stainless steel

113050-S

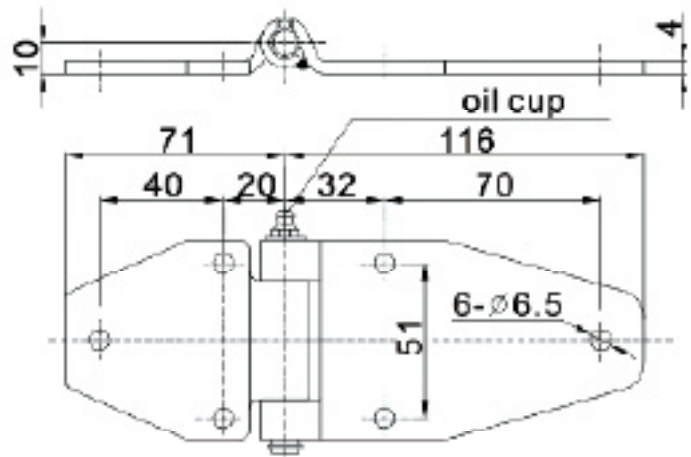
HINGE

FEATURES:

- Material: Steel/Stainless steel
- Weight: Steel = 0.336kg, Stainless steel = 0.336kg
- Surface: Zinc plated/Polished



SELECTLOK
STAINLESS
STEEL



MATERIAL	FINISH	PART NUMBER
Stainless steel	-	113020-S-L
Stainless steel	-	113020-S

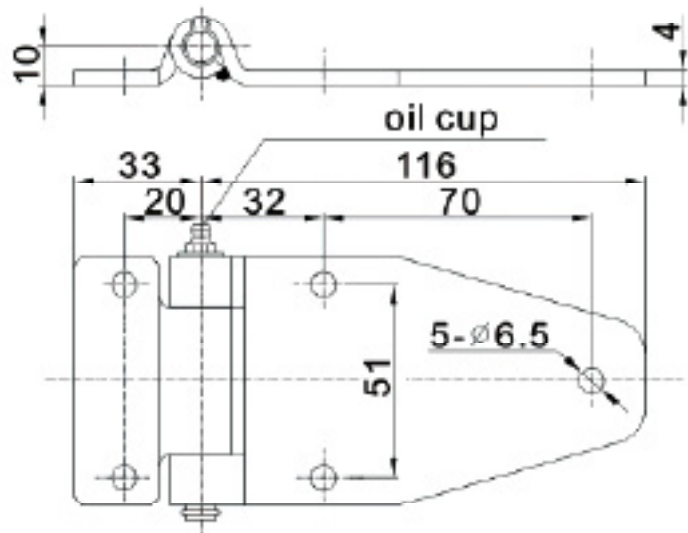
HINGE

FEATURES:

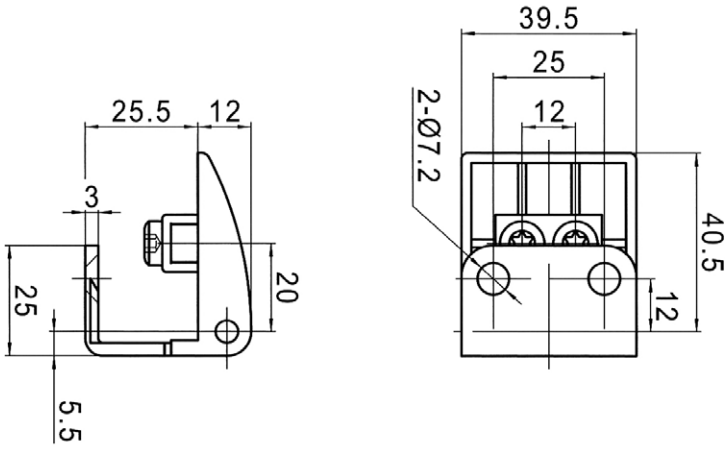
- Material: Steel/Stainless steel
- Weight: Steel = 0.326kg, Stainless steel = 0.316kg
- Surface: Zinc plated/Polished



SELECTLOK
STAINLESS
STEEL



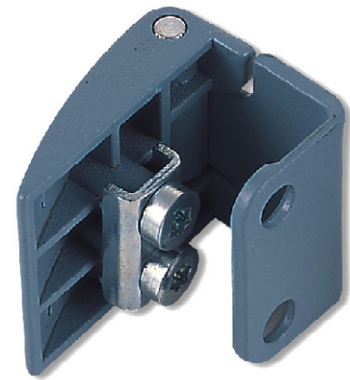
MATERIAL	FINISH	PART NUMBER
Steel	Zinc plated	113030
Stainless steel	-	113030-S-L
Stainless steel	-	113030-S-R



SEMI CONCEALED HINGE

FEATURES:

- For doors with bending of 25.5mm
- Zinc die cast

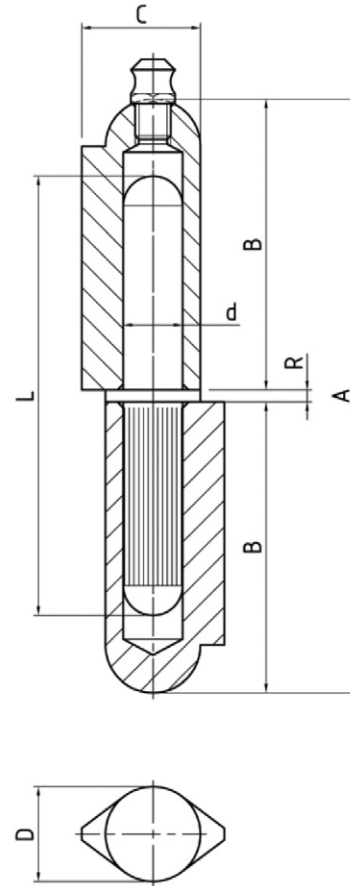


MATERIAL	FINISH	PART NUMBER
Zinc die cast	Black powder coated	CL202-2-BLK

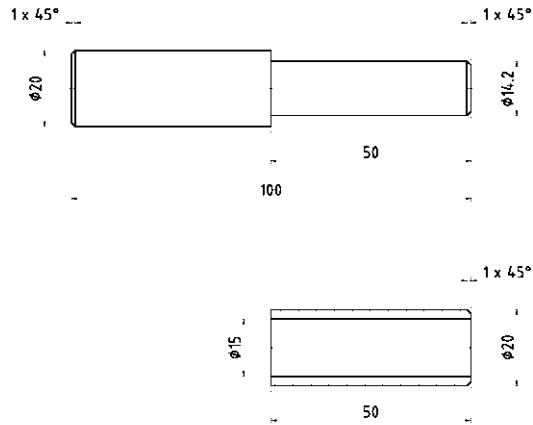
WELD ON HINGE

FEATURES:

- For weld-on applications
- Grease nipple



MATERIAL	A	B	C	R	D	L	d	BOX LOT	PART NUMBER
Aluminium	60	29	12.5	2	10	30	6	24	WOH-60-A
Aluminium	80	39	16	2	13	40	8	24	WOH-80-A
Aluminium	100	49	20	2	16	50	10	24	WOH-100-A
Aluminium	120	59	20	2	16	60	10	12	WOH-120-A
Steel, no grease nipple	60	29	12.5	2	10	30	6	24	WOH-60-S
Steel, no grease nipple	80	39	16	2	13	40	8	24	WOH-80-S
Steel, no grease nipple	120	59	20	2	16	60	10	12	WOH-120-S
Steel	60	29	12.5	2	10	30	6	24	WOH-60-S01
Steel	80	39	16	2	13	40	8	24	WOH-80-S01
Steel	100	49	20	2	16	50	10	24	WOH-100-S01
Steel	120	59	20	2	16	60	10	12	WOH-120-S01
Steel	150	74	25	2	20	75	13	12	WOH-150-S01
Steel	200	99	28.5	2	23	100	16	12	WOH-200-S01
Stainless steel	60	29	12.5	2	10	30	6	24	WOH-60-SS
Stainless steel	80	39	16	2	13	40	8	24	WOH-80-SS
Stainless steel	100	49	20	2	16	50	10	24	WOH-100-SS
Stainless steel	120	59	20	2	16	60	10	12	WOH-120-SS



BULLET HINGE

FEATURES:

- For weld-on applications

MATERIAL:

- Mild steel



"A" DIMENSION	"B" DIMENSION	"C" DIMENSION	PART NUMBER
25 mm	100 mm	50 mm	P3235

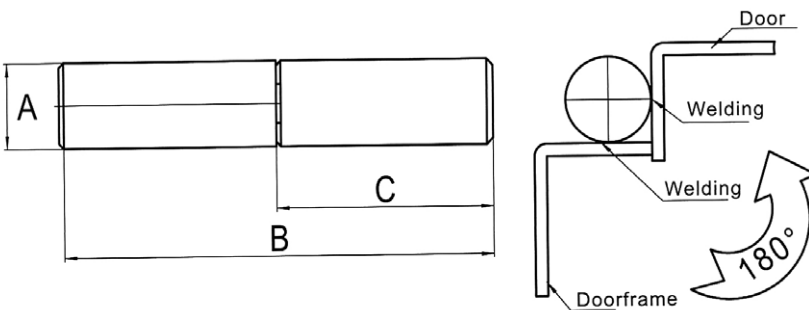
BULLET HINGE

FEATURES:

- For weld-on applications

MATERIAL:

- Mild steel/zinc plated
- Brass spacer



"A" DIMENSION	"B" DIMENSION	"C" DIMENSION	PART NUMBER
10 mm	60 mm	30 mm	CL270-4
14 mm	120 mm	60 mm	CL270-3



SPRING LOADED HINGE

FEATURES:

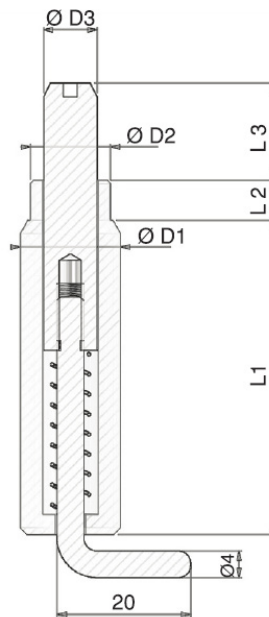
- For internally mounted doors
- Spring loaded hinge for easy door removal
- Body is copper plated for easy welding
- Available as spring loaded, up and down pair or spring loaded up hinge and fixed bottom hinge

APPLICATIONS

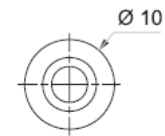
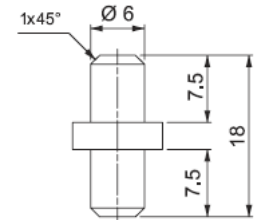
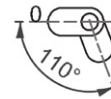
Electric panels, machinery covers

FINISH:

Body Copper plated
Other Zinc plated



Hinge Rotation Angle



DESCRIPTION	PART NUMBER
Spring loaded hinge	M189-10

12



SECTION TWELVE

[12-1 COVER STAY - MILD DUTY](#)

[12-2 COVER STAY - HEAVY DUTY](#)

[12-3 LIFTING EYE BOLTS](#)

MILD DUTY COVER STAY

FEATURES:

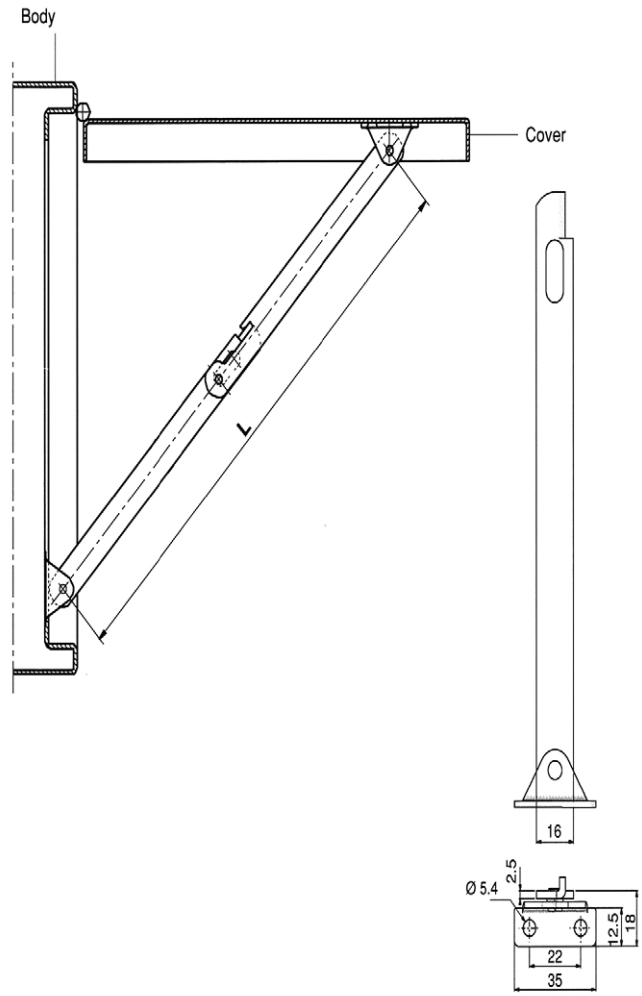
- Available to suit left or right hand applications
- For light to medium duty applications

DIMENSIONS:

Length = 292mm

MATERIAL & FINISH:

Mild steel, zinc plated
Stainless steel



MATERIAL	FINISH	HANDEDNESS	PART NUMBER
Mild steel	Zinc plated	Left hand	M079-6-3-292-001
Mild steel	Zinc plated	Right hand	M079-6-3-292-002
Stainless steel	-	Left hand	M079-4-0-292-001
Stainless steel	-	Right hand	M079-4-0-292-002

HEAVY DUTY COVER STAY

FEATURES:

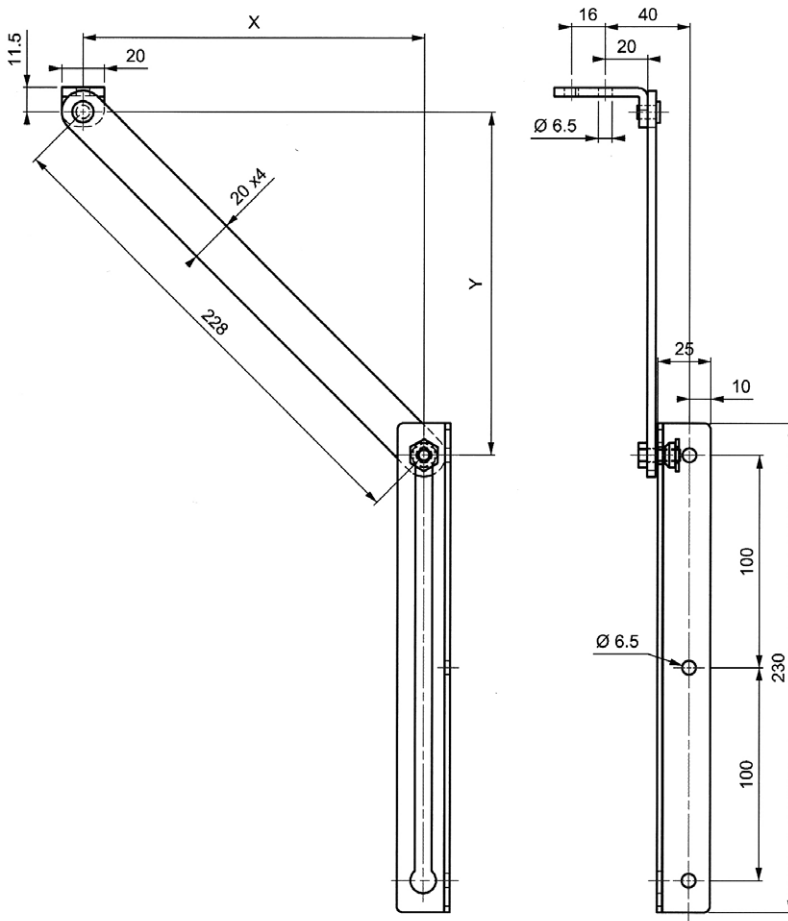
- Automatic lock to keep door open
- For heavy duty applications

DIMENSIONS:

Length = 230mm

MATERIAL & FINISH:

Mild steel, zinc plated
Stainless steel



OPENING ANGLE	DIMENSION		MINIMAL DOOR WIDTH
	X	Y	
90°	140	180	403
105°	120	166	389
120°	110	150	373
135°	100	146	369

MATERIAL	FINISH	PART NUMBER
Mild Steel	Zinc plated	M179-44-002
Stainless steel	-	M179-44-001



LIFTING EYEBOLTS

FEATURES:

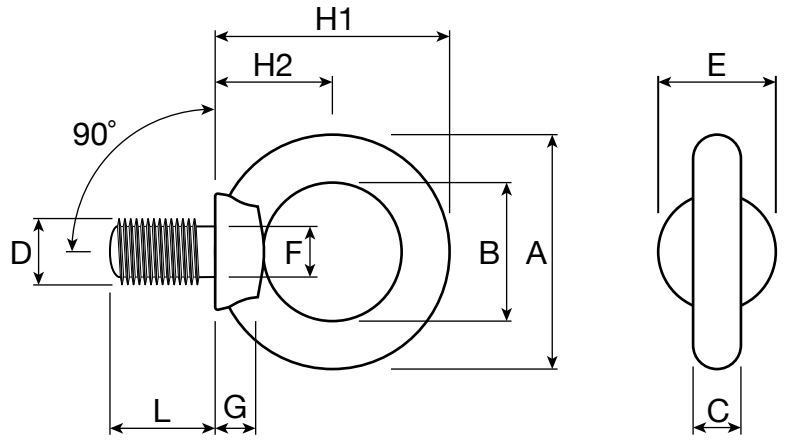
- Zinc chromate plated
- Available in M12 or M16 thread
- SWL: M12 = 0.22T
M16 = 0.45T

DIMENSIONS:

See table

MATERIAL:

Cast iron



THREAD	DIMENSIONS											LOAD (KG)	
	A	B	C	D	E	F	G	H1	H2	L	VERTICAL	45° HUNG	
M12	50	30	10	12	25	9.3	9	51	26	22	220	220	
M16	60	35	12.5	16	30	13	11	60	30	27	450	450	

THREAD	FINISH	PART NUMBER
M12	Zinc chromate plated	AL-EYEBOLT-M12
M16	Zinc chromate plated	AL-EYEBOLT-M16
M12	Galvanized	AL-EYEBOLT-M12-GALV

13



SECTION THIRTEEN

[13-1 SPRING BOLTS](#)

[13-4 DOOR HOLDER](#)

[13-4 DOOR RETAINERS](#)

[13-5 LASHING RING](#)

[13-6 UNDER CHASSIS DOOR RETAINER](#)

[13-7 CAM LOCK KIT](#)

[13-9 RECESSED HANDLE](#)

[13-10 EXTERNAL LOCK](#)

[13-10 KIT RECESSED CAMS & KEEPERS](#)

[13-11 GASKET](#)

[13-12 ANTILUCE FASTENERS](#)

[13-13 CARGO TRACK](#)

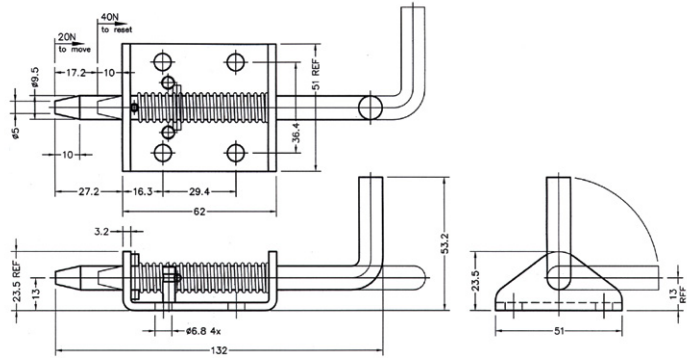
[13-13 DROP CHEST HANDLE](#)

[13-14 UTILITY FLUSH LOCK KIT](#)

SMALL SPRING BOLT

MATERIAL & FINISH:

- Mild steel
- Zinc plated

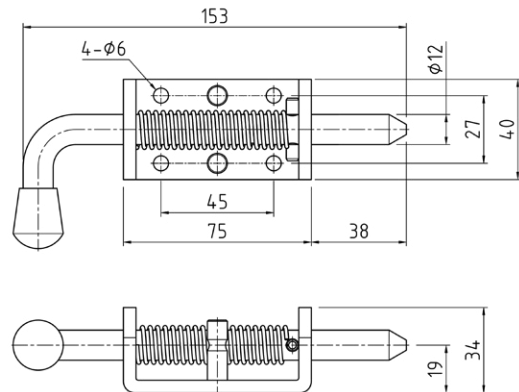


LENGTH	PART NUMBER
132mm	9535

SPRING BOLT

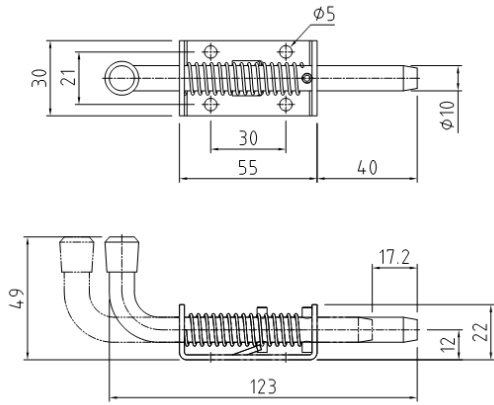
MATERIAL & FINISH:

- Mild steel
- Zinc plated



LENGTH	PART NUMBER
160mm	9156

SELECTLOK
STAINLESS
STEEL



SMALL SPRING BOLT

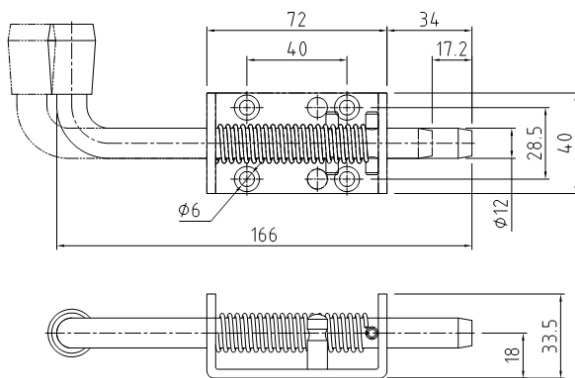
MATERIAL & FINISH:

- Stainless steel



LENGTH	PART NUMBER
123mm	152103-S

SELECTLOK
STAINLESS
STEEL



SPRING BOLT

MATERIAL & FINISH:

- Stainless steel

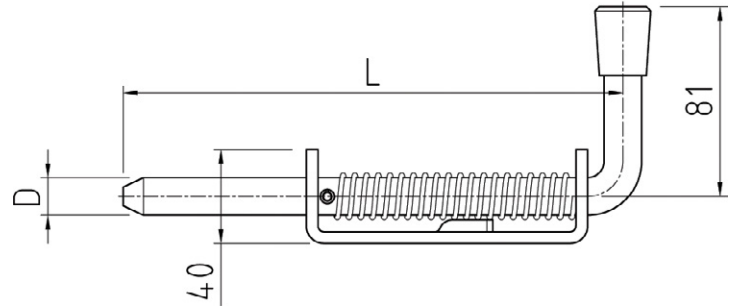
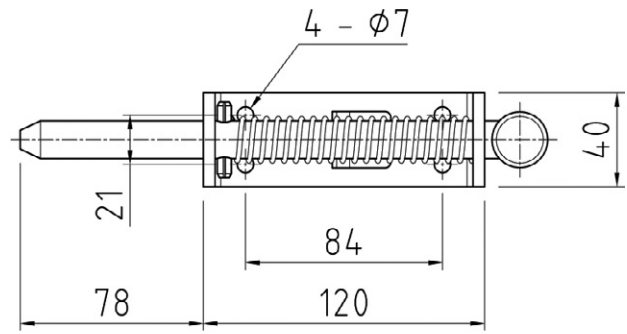


LENGTH	PART NUMBER
166mm	9156-SS

LARGE SPRING LOADED BOLT

MATERIAL & FINISH:

- Mild steel
- Zinc plated



LENGTH	D	PART NUMBER
213mm	16mm	152020
213mm	12mm	152030

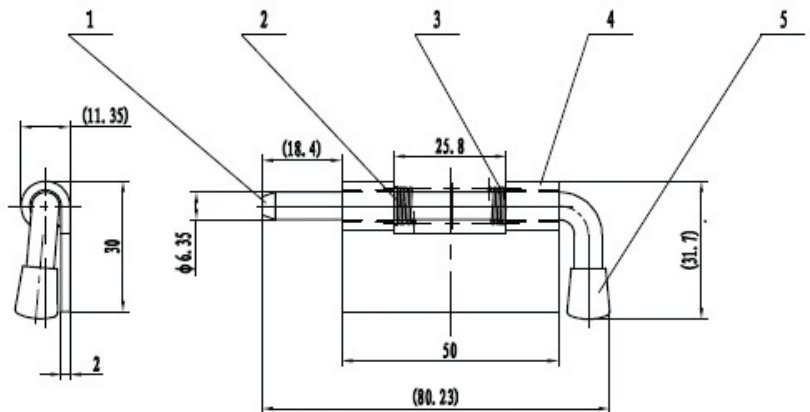
STAINLESS STEEL SPRING BOLT

MATERIAL & FINISH:

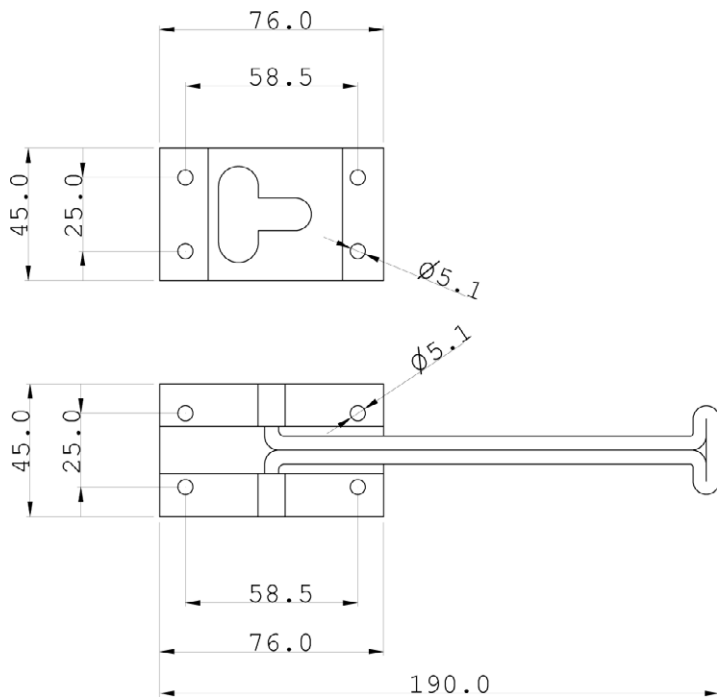
- Material : Stainless steel
- Surface treatment : Polished
- Weight : 0.048 kg



SELECTRIX
STAINLESS
STEEL



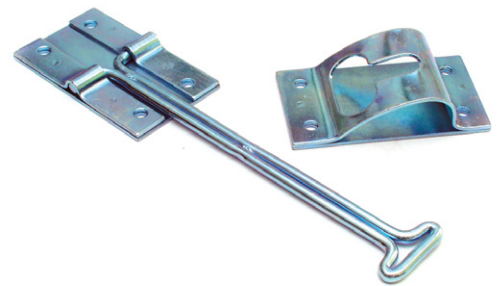
MATERIAL	SURFACE	PART NUMBER
Stainless steel	Polished	152104-S



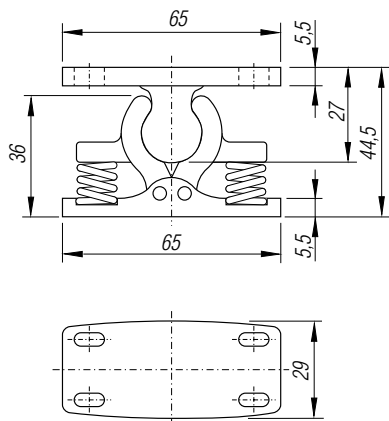
DOOR HOLDER

MATERIAL & FINISH:

- Mild steel
- Zinc plated



LENGTH	PART NUMBER
190mm	6564-6



PLASTIC DOOR RETAINER

MATERIAL & FINISH:

- White plastic
- Stainless steel spring

FIXING HOLES:

4 longitudinal fixing holes 10x5mm
 Horizontal distance = 50mm
 Vertical distance = 17mm

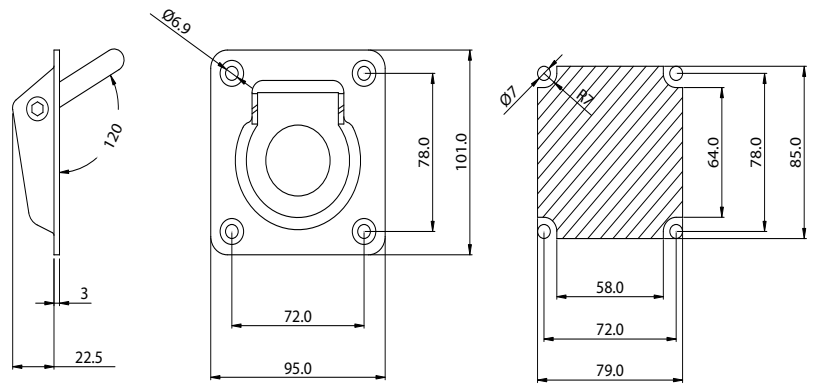


DESCRIPTION	PART NUMBER
Door retainer	631800

LASHING RING

MATERIAL & FINISH:

- Mild steel
- Zinc plated



CUT OUT



MATERIAL	PART NUMBER
Zinc	9193

UNDER CHASSIS DOOR RETAINER

A compression spring is located inside a sealed aluminium profile housing which is tightened by plastic end covers and protected against dirt and humidity by 'O' rings.

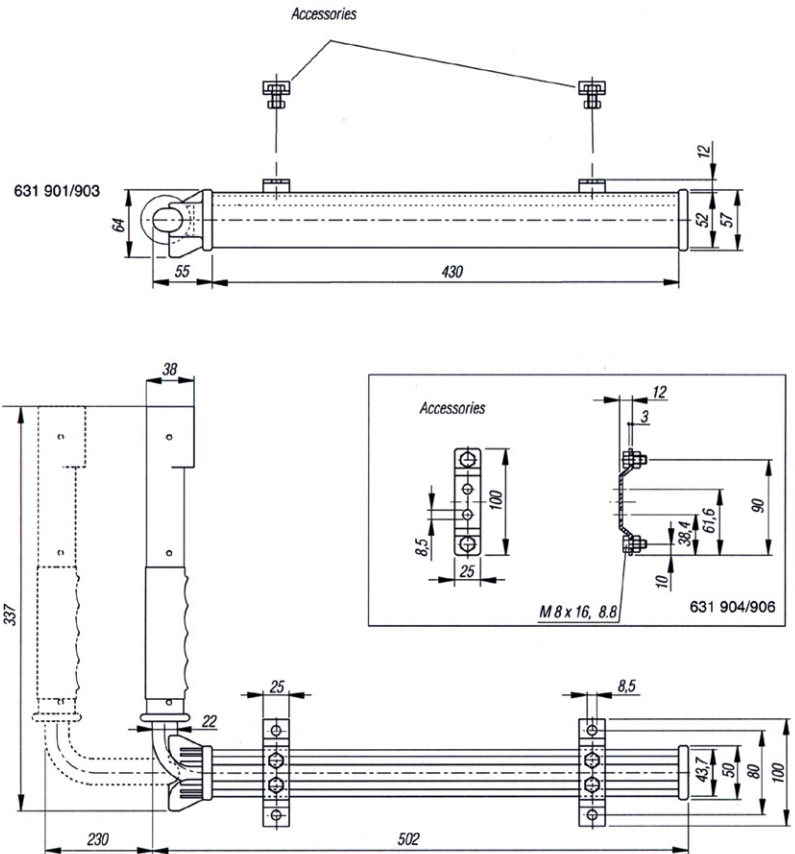
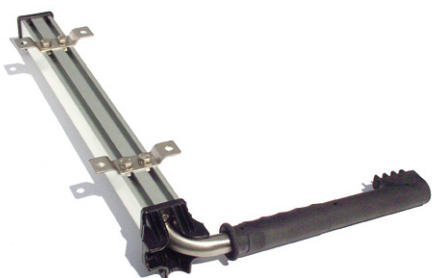
The plastic cover on the front side is fitted with counter sunk stops which hold the arm in three 90° positions in the released position and prevent it moving into a position other than that required.

The aluminium strip comes with two longitudinal channels for holding the two, infinitely adjustable fixing brackets which are screwed or welded to the vehicle.

The internal parts are made of high grade steel, so are extremely durable, smooth-running and maintenance-free. The spring loaded arm has a stroke of approximately 230 mm.

MATERIAL & FINISH:

- Aluminium profile, natural anodized
- End covers, plastic
- End cover screws, high grade steel
- Arm, steel, galvanized or high grade steel
- Cover on arm, rubber, black
- Fixing brackets galvanized/high grade steel



MATERIAL	FINISH	PART NUMBER
Mild steel	Galvanised	631901

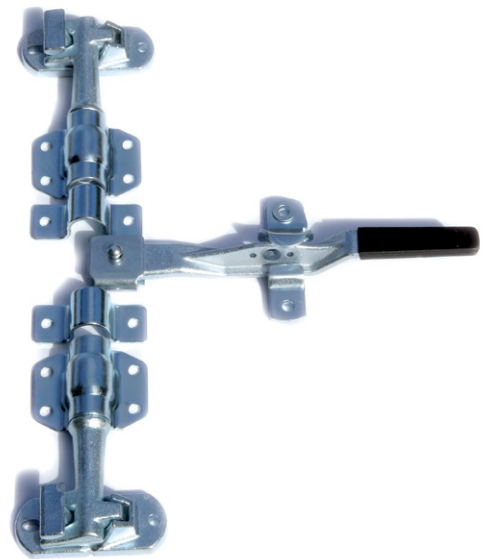
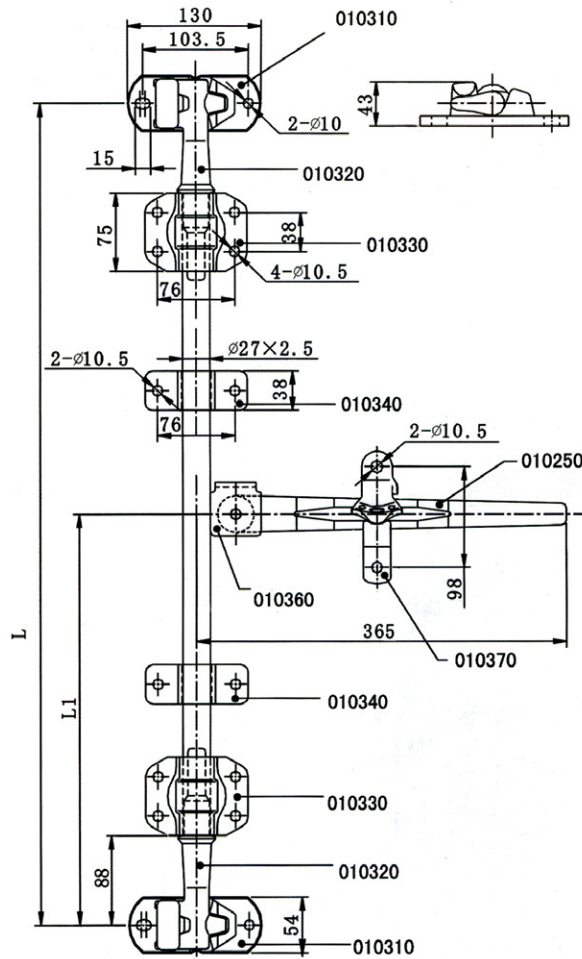
CAM LOCK KIT

FEATURES:

- To suit 27mm OD tubing

MATERIAL & FINISH:

- Mild steel
- Zinc plated



MATERIAL	FINISH	PART NUMBER
Mild steel	Zinc plated	010300

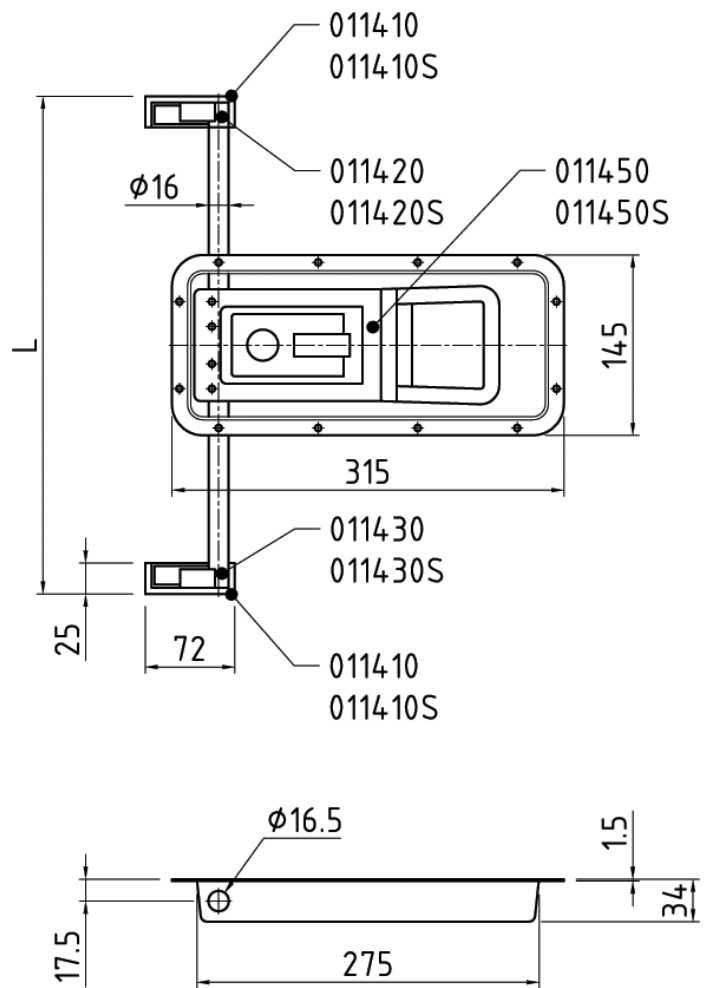
CAM LOCK KIT

FEATURES:

- To suit 16mm OD tubing
- Flush Handle

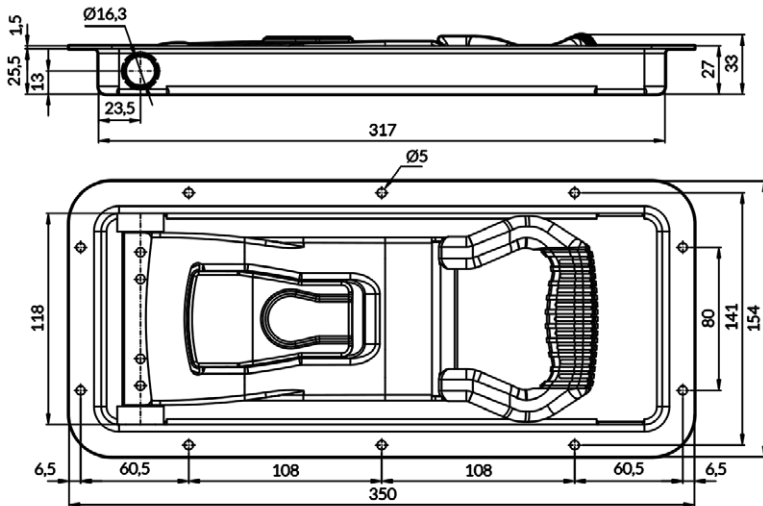
MATERIAL & FINISH:

- Mild steel/zinc plated
- Stainless Steel/polished



MATERIAL	FINISH	PART NUMBER
Mild steel	Zinc plated	011400

SELECTLOK
STAINLESS
STEEL



RECESSED HANDLE

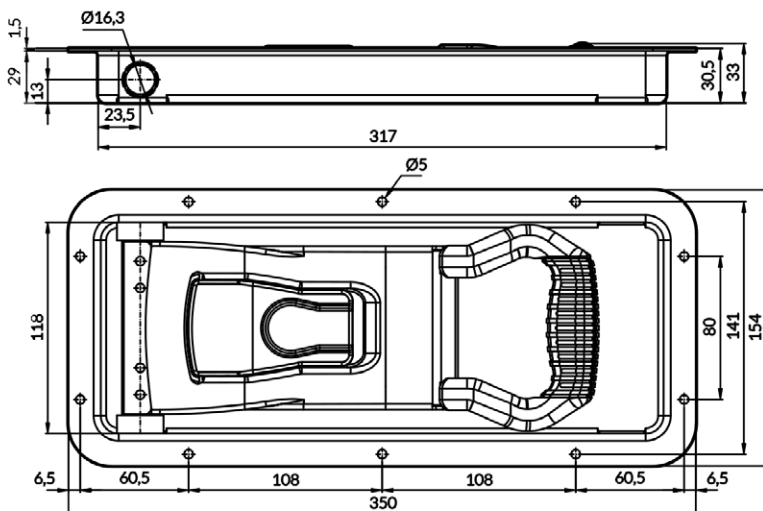
FEATURES:

- Recessed handle 16



MATERIAL	PART NUMBER
Stainless steel	FEM16001-25-1

SELECTLOK
STAINLESS
STEEL



RECESSED HANDLE

FEATURES:

- Recessed handle 16



MATERIAL	PART NUMBER
Stainless steel	FEM16001-29-1

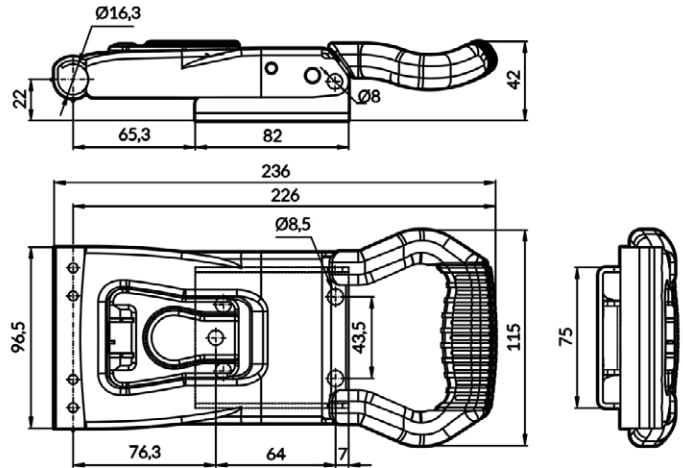
EXTERNAL LOCK

FEATURES:

- External lock 16



SELECTLOK
STAINLESS
STEEL



MATERIAL

Stainless steel

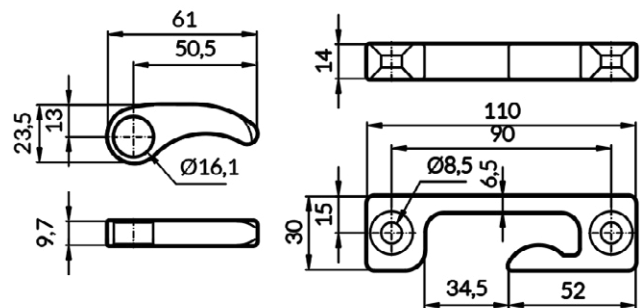
PART NUMBER

FEX16003

KIT RECESSED CAMS & KEEPERS



SELECTLOK
STAINLESS
STEEL



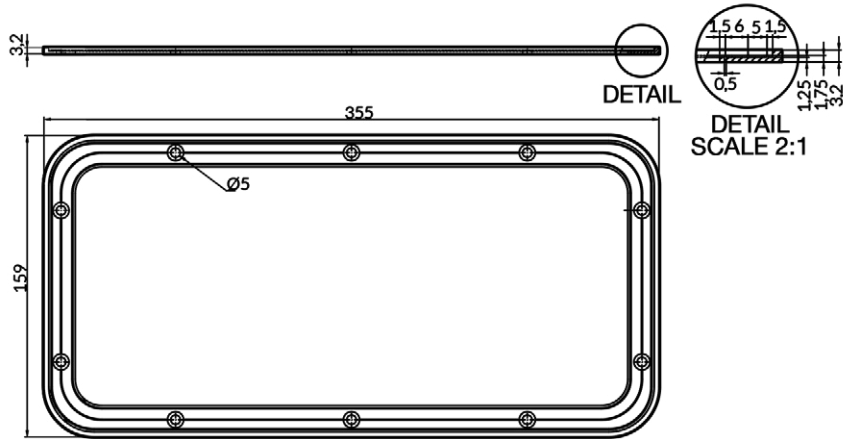
MATERIAL

Stainless steel

PART NUMBER

KLC-EM1

GASKET

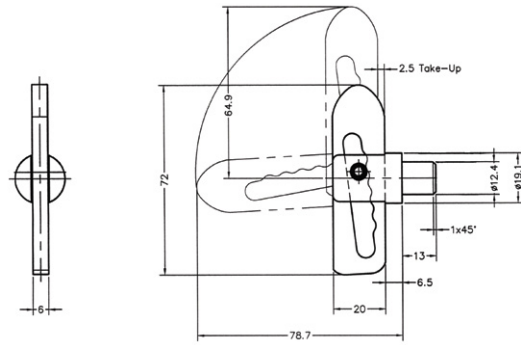
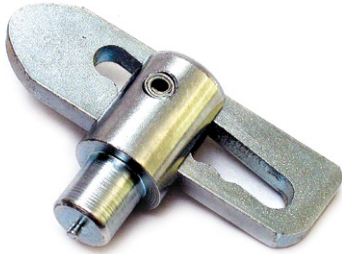


MATERIAL	L	PART NUMBER
Elastomer	355	CFEM001

WELD-ON ANTILUCE

MATERIAL & FINISH:

- Mild steel
- Zinc plated

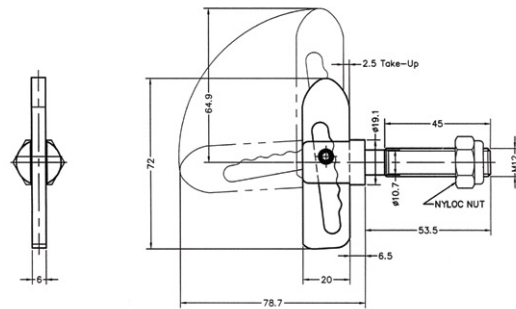
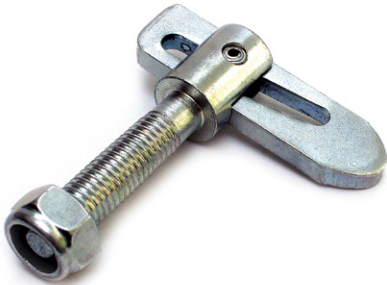


DESCRIPTION	PART NUMBER
Weld-on antiluce	9777

THREADED ANTILUCE

MATERIAL & FINISH:

- Mild steel
- Zinc plated

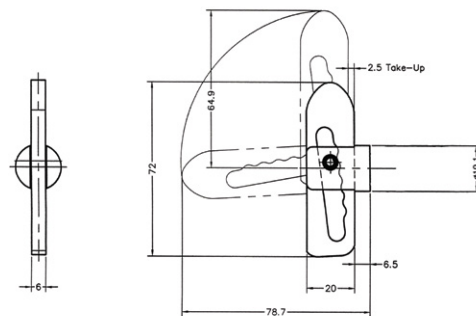


THREAD LENGTH	PART NUMBER
20 mm	9716-25
45 mm	9716-50

STUBLESS WELD-ON ANTILUCE

MATERIAL & FINISH:

- Mild steel
- Zinc plated



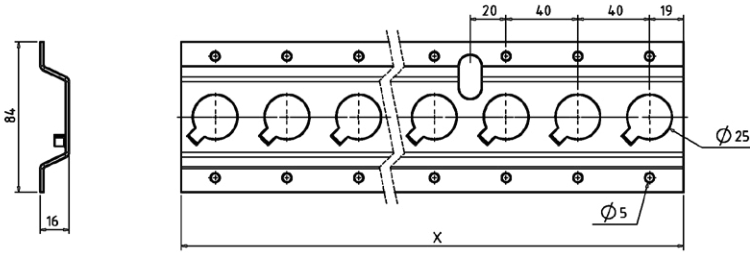
DESCRIPTION	PART NUMBER
Stubless weld-on antiluce	9777-NS

SELECTLOK
STAINLESS
STEEL

CARGO TRACK

MATERIAL & FINISH:
Stainless Steel

APPLICATIONS:
Refrigerator truck body, special vehicle, cabinet freezer



PART NUMBER

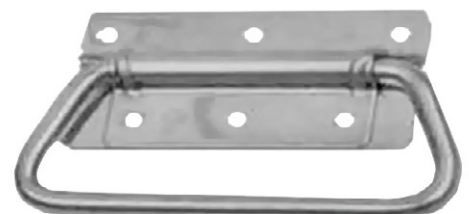
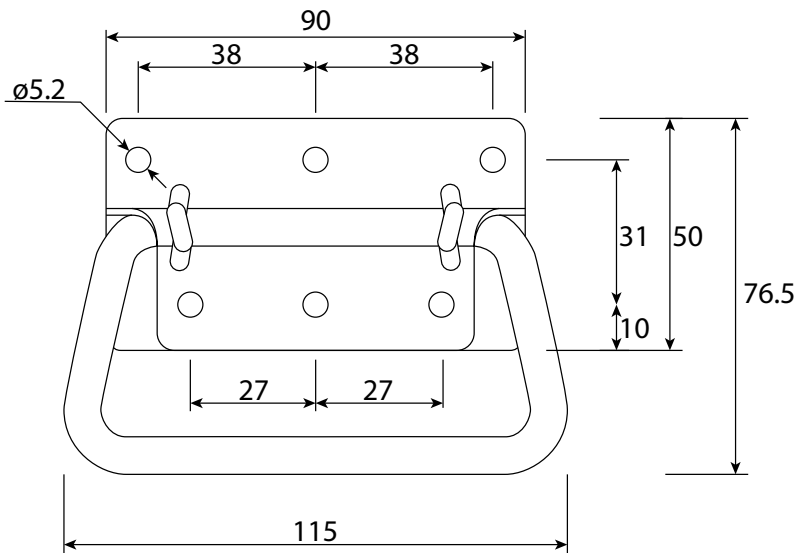
MS794-2

SELECTLOK
STAINLESS
STEEL

DROP CHEST HANDLE

MATERIAL & FINISH:

- Material : Stainless steel
- Surface treatment : Polished
- Weight : 0.195 kg



DESCRIPTION

Drop chest handle

PART NUMBER

196520-S

UTILITY FLUSH LOCK KIT

FEATURES:

- With overturning handle and safety lever
- 245mm Profile height to suit a 25mm profile

COMPLETE KIT COMPRISING:

- 1 x LH rear lock + 1 x matching corner profile
- 1 x RH rear lock + 1 x matching corner profile
- 1 x LH front side lock + mounting fork
- 1 x RH front side lock + mounting fork

We can tailor special profile sizes to your needs*



MATERIAL

Aluminium

PART NUMBER

08-01KIT-SEL

14



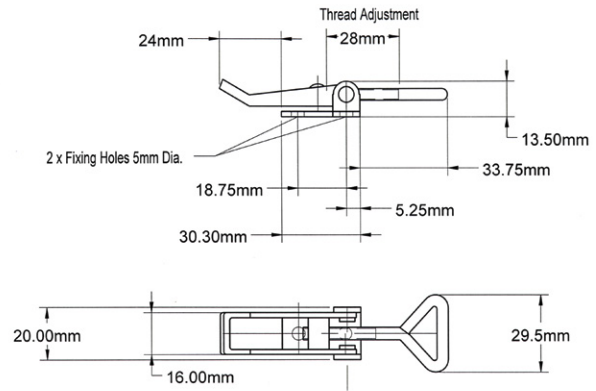
SECTION FOURTEEN

- [14-1 SMALL OVER CENTRE FASTENER](#)
- [14-1 PADLOCKABLE CENTRE FASTENER](#)
- [14-2 MEDIUM OVER CENTRE FASTENER](#)
- [14-2 LARGE OVER CENTRE FASTENER](#)
- [14-3 TOGGLE FASTENER & HOOK](#)

SMALL OVER CENTRE FASTENER

MATERIAL & FINISH:

- Mild steel/zinc plated
- Stainless steel



MATERIAL	FINISH	COMPONENT	PART NUMBER
Mild steel	Zinc plated	Latch	9171
Mild steel	Zinc plated	Hook	92106-1

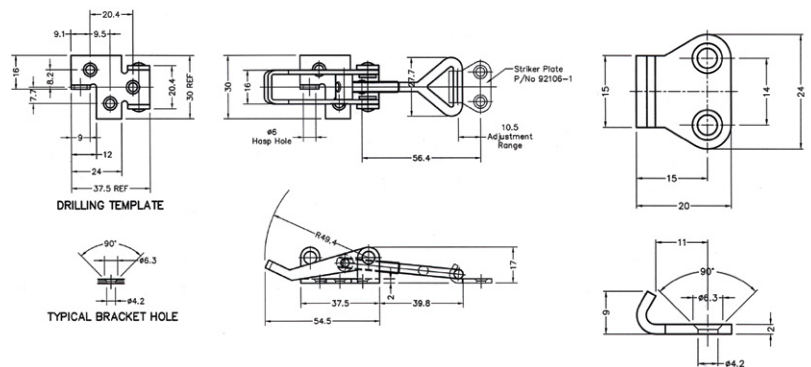
PADLOCKABLE SMALL OVER CENTRE FASTENER

FEATURES:

- Padlockable

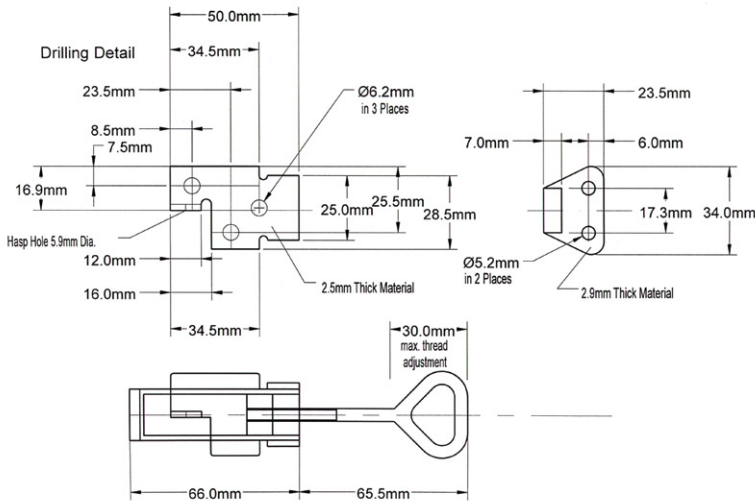
MATERIAL & FINISH:

- Mild steel/zinc plated
- Stainless steel



MATERIAL	FINISH	COMPONENT	PART NUMBER
Mild steel	Zinc plated	Latch	92106
Mild steel	Zinc plated	Hook	92106-1
Stainless steel	-	Latch	92106SS
Stainless steel	-	Hook	92106-1SS

SELECTLOK
STAINLESS
STEEL



MEDIUM OVER CENTRE FASTENER

FEATURES:

- Padlockable

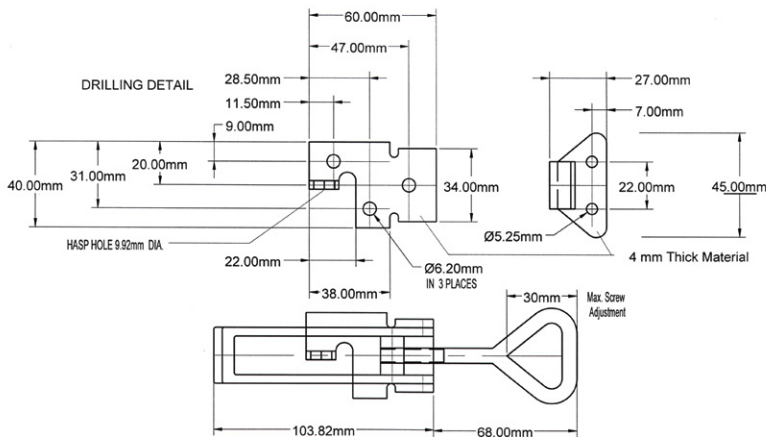
MATERIAL & FINISH:

- Mild steel/zinc plated
- Stainless steel



MATERIAL	FINISH	COMPONENT	PART NUMBER
Mild steel	Zinc plated	Latch	92105
Mild steel	Zinc plated	Hook	92105-1
Stainless steel	-	Latch	92105SS
Stainless steel	-	Hook	92105-1SS

SELECTLOK
STAINLESS
STEEL



LARGE OVER CENTRE FASTENER

FEATURES:

- Padlockable

MATERIAL & FINISH:

- Mild steel/zinc plated
- Stainless steel



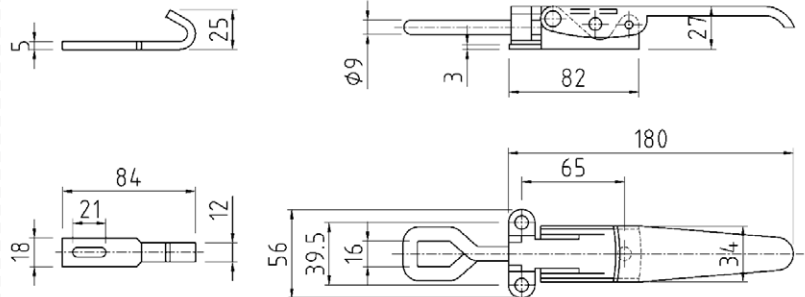
MATERIAL	FINISH	COMPONENT	PART NUMBER
Mild steel	Zinc plated	Latch	92104
Mild steel	Zinc plated	Hook	92104-1
Stainless steel	-	Latch	92104SS
Stainless steel	-	Hook	92104-1SS

TOGGLE FASTENER AND HOOK

MATERIAL & FINISH:

- Steel
- Zinc plated

SELECTLOK
STAINLESS
STEEL



DESCRIPTION	MATERIAL	PART NUMBER
Toogle fastener	Steel	147050
Hook to suit	Steel	147054
Toogle fastener	Stainless Steel	147050-S
Hook to suit	Stainless steel	147054-S

15

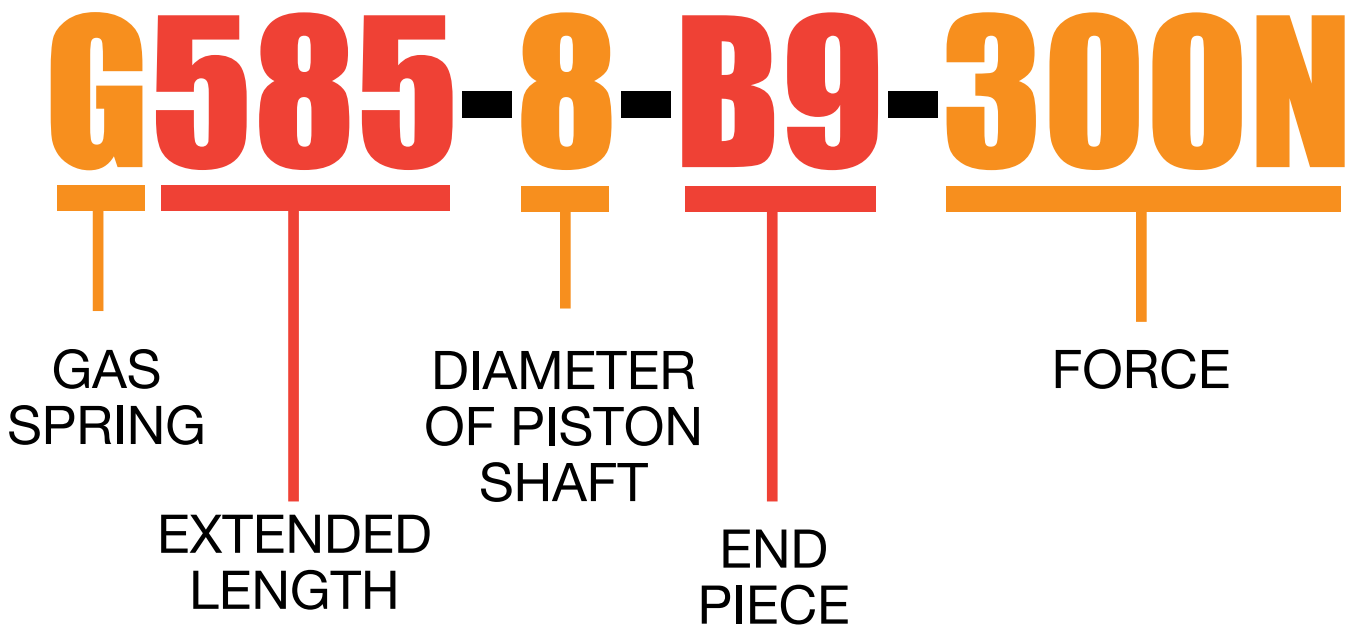


SECTION FIFTEEN

- [15-1 PART NUMBER SYSTEM](#)
- [15-2 Ø6MM STRUTS](#)
- [15-3 Ø8MM STRUTS](#)
- [15-4 Ø10MM STRUTS](#)
- [15-5 Ø12MM STRUTS](#)
- [15-6 SP SERIES STRUTS](#)
- [15-7 STAINLESS STEEL Ø8MM STRUTS](#)
- [15-8 STRUT BRACKETS](#)
- [15-11 BALL STUDS](#)
- [15-12 STRUT CONNECTORS](#)
- [15-15 BALL SOCKET WITH CIRLIPS](#)
- [15-17 EYELETS](#)

PART NUMBER SYSTEM

New Gas Spring Part Number Explanation Sheet



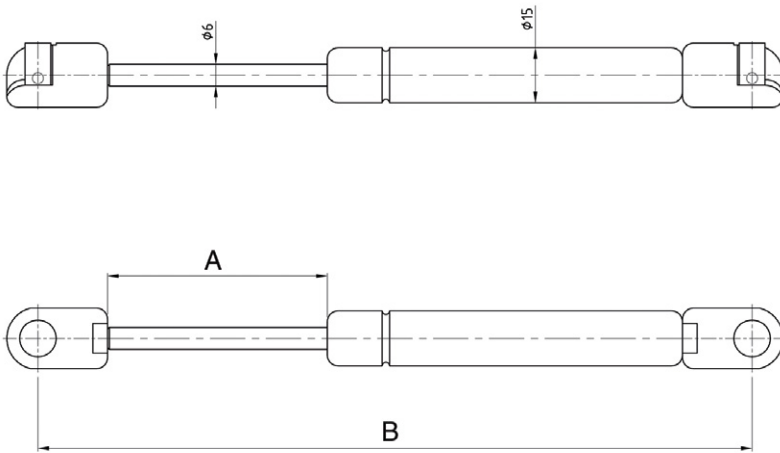
Ø6MM PISTON SHAFT

FEATURES:

- QPQ coating on shaft
- Plastic quick-fit ends

PISTON ROD & CYLINDER DIMENSIONS:

- ø6mm piston rod
- ø15mm cylinder



STROKE LENGTH ('A' in mm)	EXTENDED LENGTH ('B' in mm)	FORCE RANGE (in N)	PART NUMBER
60	195	50-400	G195-6-B9-###N

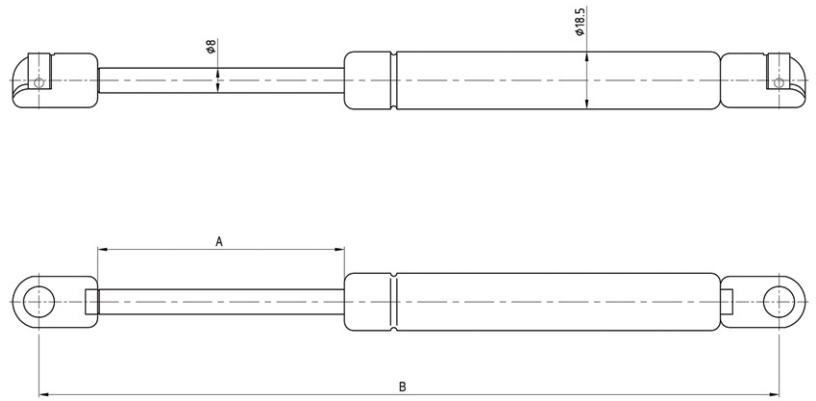
Ø8MM PISTON SHAFT

FEATURES:

- QPQ coating on shaft
- Plastic quick-fit ends

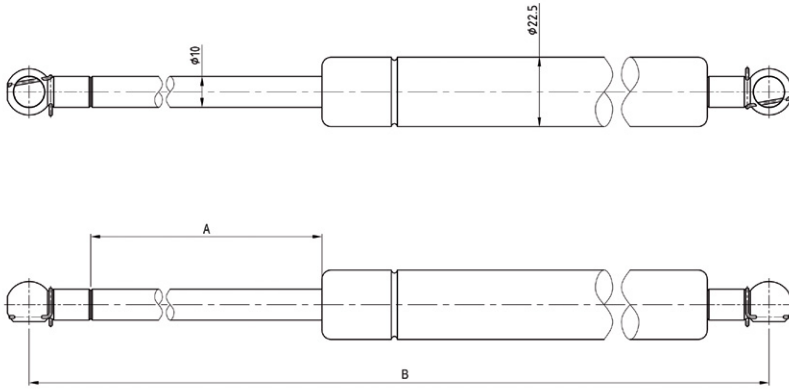
PISTON ROD & CYLINDER DIMENSIONS:

- ø8mm piston rod
- ø18mm cylinder



STROKE LENGTH ('A' in mm)	EXTENDED LENGTH ('B' in mm)	FORCE RANGE (in N)	PART NUMBER
60	195	100-700	G195-8-B9-###N
60	220	100-700	G220-8-B9-###N
60	230	100-700	G230-8-B9-###N
80	240	100-700	G240-8-B9-###N
90	260	100-700	G260-8-B9-###N
105	290	100-700	G290-8-B9-###N
115	310	100-700	G310-8-B9-###N
115	315	100-700	G315-8-B9-###N
125	330	100-700	G330-8-B9-###N
135	350	100-700	G350-8-B9-###N
145	375	100-700	G375-8-B9-###N
160	410	100-700	G410-8-B9-###N
170	420	100-700	G420-8-B9-###N
170	430	100-700	G430-8-B9-###N
185	450	100-700	G450-8-B9-###N
200	485	100-700	G485-8-B9-###N
210	500	100-700	G500-8-B9-###N
210	505	100-700	G505-8-B9-###N
220	525	100-700	G525-8-B9-###N
230	540	100-700	G540-8-B9-###N
235	550	100-700	G550-8-B9-###N
230	560	100-700	G560-8-B9-###N
240	575	100-700	G575-8-B9-###N
250	585	100-700	G585-8-B9-###N
255	590	100-700	G590-8-B9-###N
260	610	100-700	G610-8-B9-###N
275	630	100-700	G630-8-B9-###N
305	700	100-700	G700-8-B9-###N

Ø10MM PISTON SHAFT



FEATURES:

- QPQ coating on shaft
- Steel ends

PISTON ROD & CYLINDER DIMENSIONS:

- ø10mm piston rod
- ø22.5mm cylinder



STROKE LENGTH ('A' in mm)	EXTENDED LENGTH ('B' in mm)	FORCE RANGE (in N)	PART NUMBER
185	450	100-1100	G450-10-C9A-###N
210	500	100-1100	G500-10-C9A-###N
210	540	100-1100	G540-10-C9A-###N
250	600	100-1100	G600-10-C9A-###N
285	650	100-1100	G650-10-C9A-###N
295	670	100-1100	G670-10-C9A-###N
290	700	100-1100	G700-10-C9A-###N
325	750	100-1100	G750-10-C9A-###N
360	830	100-1100	G830-10-C9A-###N
405	900	100-1100	G900-10-C9A-###N

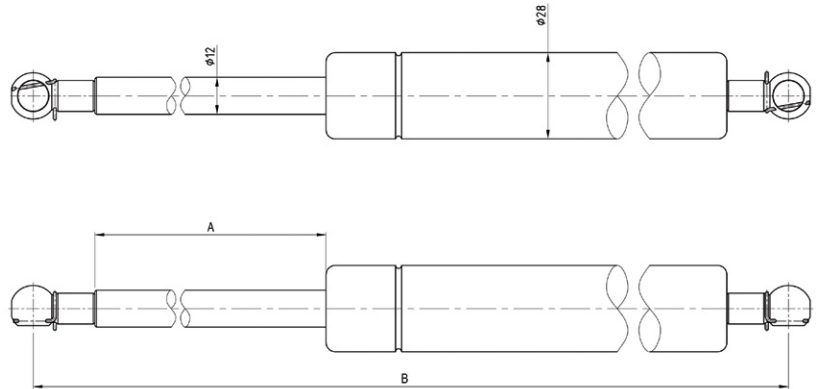
Ø12MM PISTON SHAFT

FEATURES:

- QPQ coating on shaft
- Steel ends

PISTON ROD & CYLINDER DIMENSIONS:

- ø12mm piston rod
- ø28mm cylinder



STROKE LENGTH ('A' in mm)	EXTENDED LENGTH ('B' in mm)	FORCE RANGE (in N)	PART NUMBER
215	530	100-1600	G530-12-C19-###N
250	620	100-1600	G620-12-C19-###N
285	670	100-1600	G670-12-C19-###N
300	700	100-1600	G700-12-C19-###N
310	750	100-1600	G750-12-C19-###N

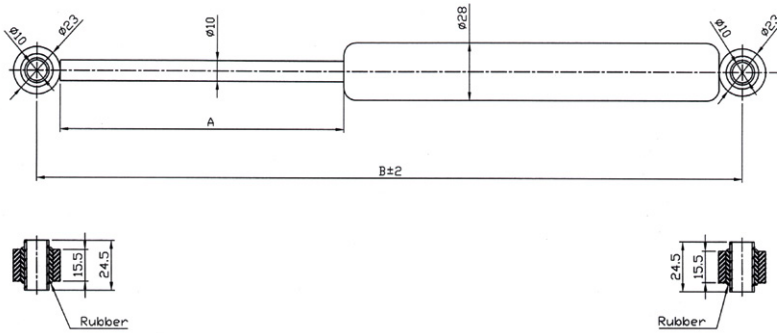
SP04 SERIES

FEATURES:

- Chrome plated shaft

PISTON ROD & CYLINDER DIMENSIONS:

- $\varnothing 10$ mm piston rod
- $\varnothing 28$ mm cylinder



STROKE LENGTH ('A' in mm)	EXTENDED LENGTH ('B' in mm)	FORCE RANGE (in N)	PART NUMBER
80	214	80-800	SP04-080214-###N

STAINLESS STEEL Ø8MM PISTON SHAFT

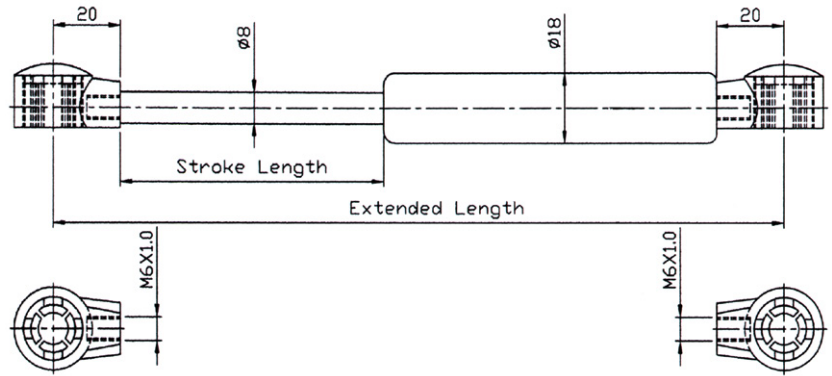
FEATURES:

- 316 grade stainless steel piston rod & cylinder
- Plastic quick-fit ends

PISTON ROD & CYLINDER DIMENSIONS:

- ø8mm piston rod
- ø18mm cylinder

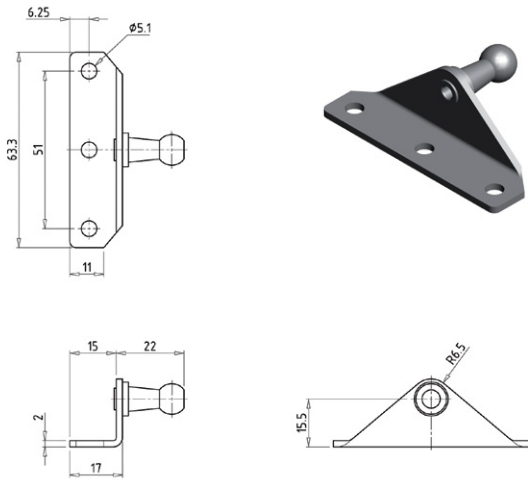
SELECTLOK
STAINLESS
STEEL



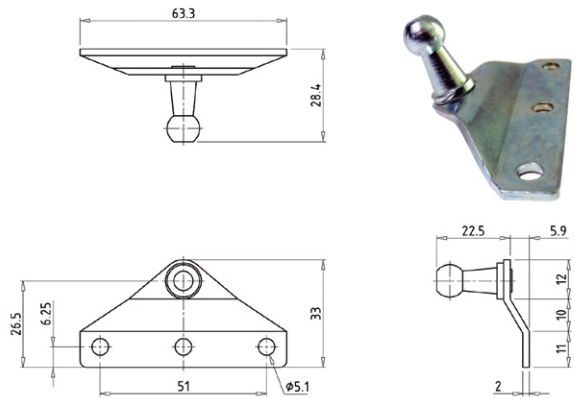
Stainless steel ball ends supplied separately. ([Part no: SW-13-SS](#))

STROKE LENGTH ('A' in mm)	EXTENDED LENGTH ('B' in mm)	FORCE RANGE (in N)	PART NUMBER
115	310	100-700	SS2-115310-###N-SS
215	510	100-700	SS2-215510-###N-SS
265	610	100-700	SS2-265610-###N-SS
365	810	100-700	SS2-365810-###N-SS

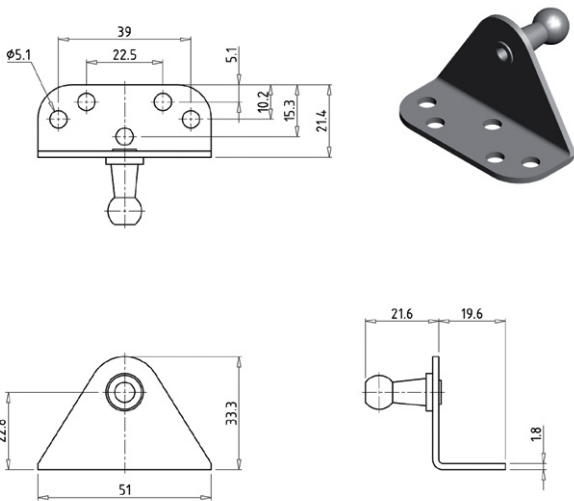
GAS STRUT BRACKET



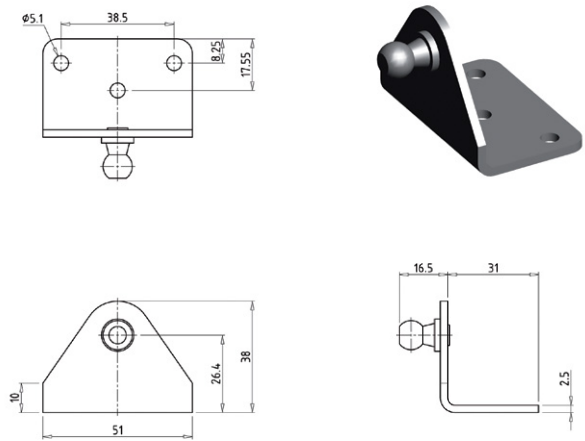
PART NO: BRACKET-01



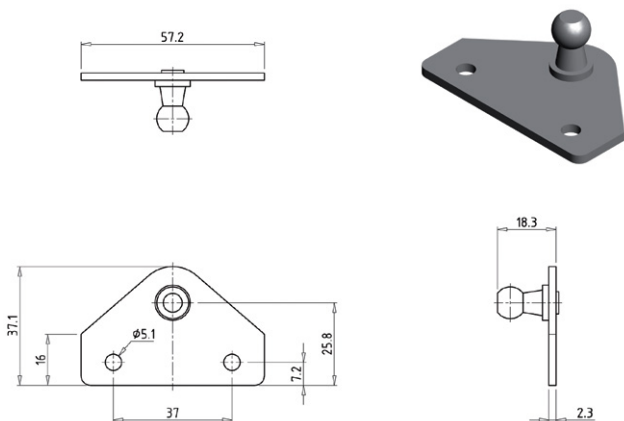
PART NO: BRACKET-02



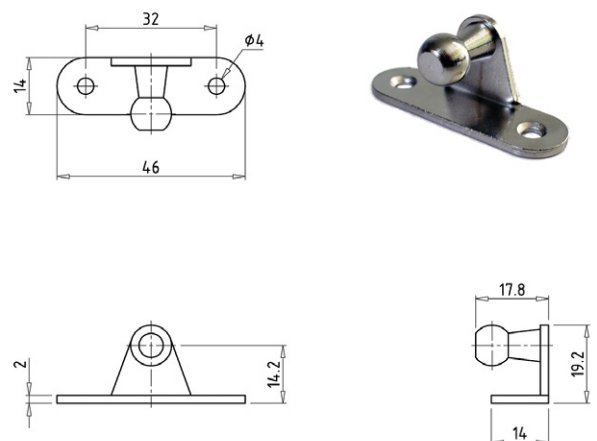
PART NO: BRACKET-03



PART NO: BRACKET-04

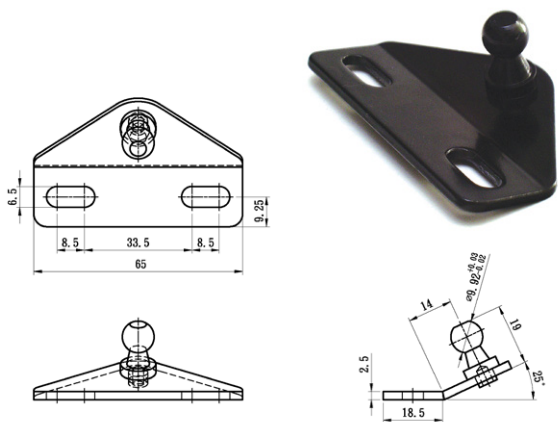


PART NO: BRACKET-05

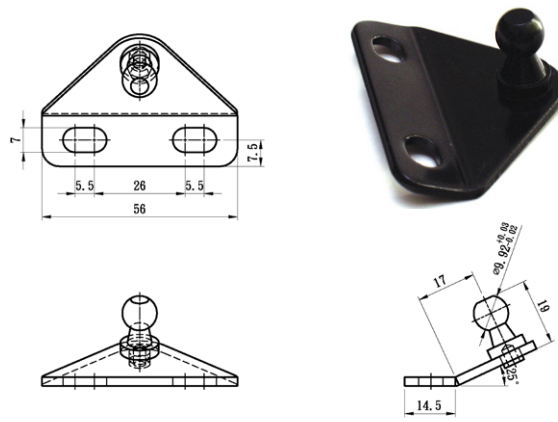


PART NO: BRACKET-06

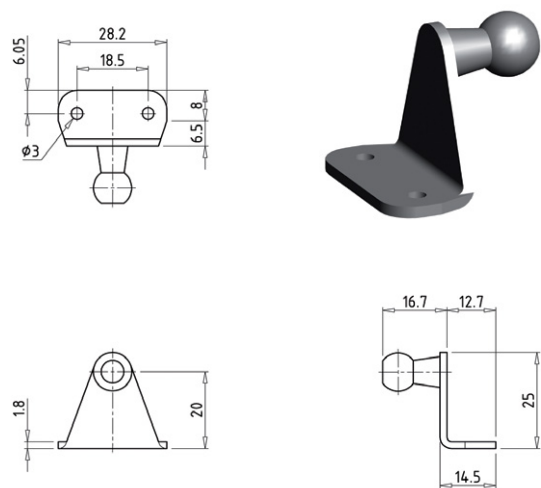
GAS STRUT BRACKET



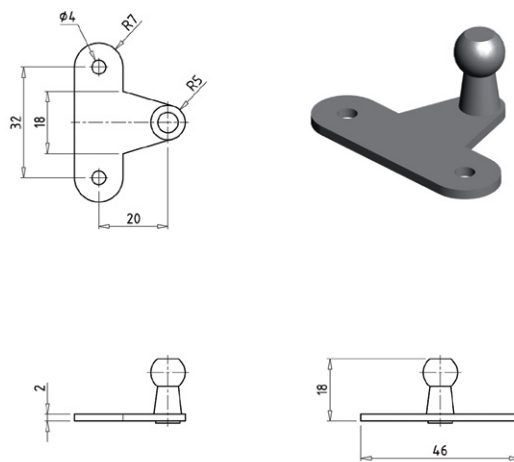
PART NO: BRACKET-51



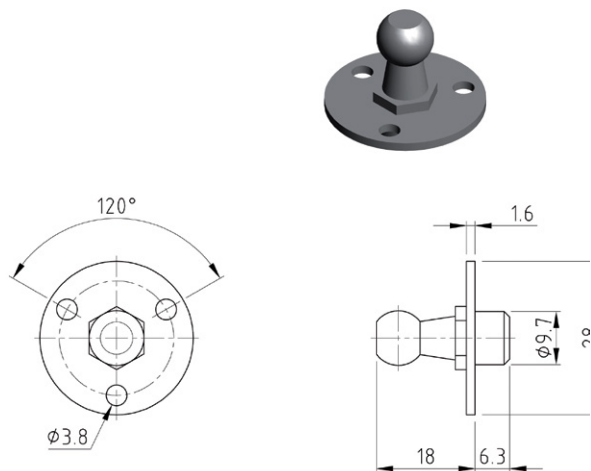
PART NO: BRACKET-52



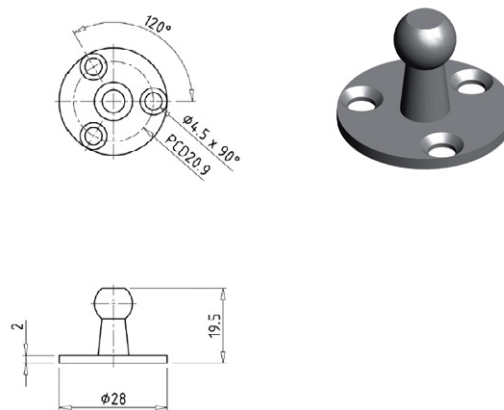
PART NO: BRACKET-07



PART NO: BRACKET-08

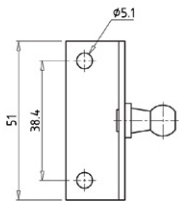


PART NO: BRACKET-09

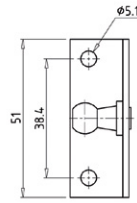


PART NO: BRACKET-09A

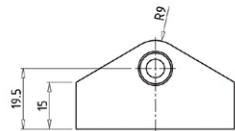
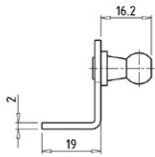
GAS STRUT BRACKET



SELECTLOK
STAINLESS
STEEL

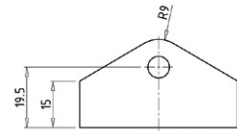
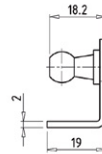


SELECTLOK
STAINLESS
STEEL



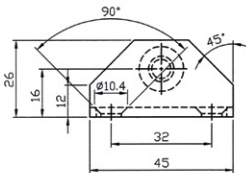
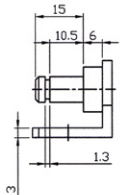
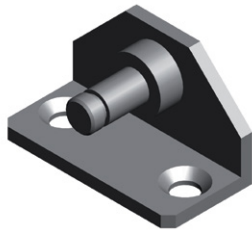
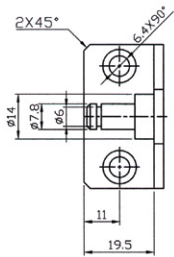
PART NO: BRACKET-10L

STAINLESS STEEL PART NO: BRACKET-10L-SS

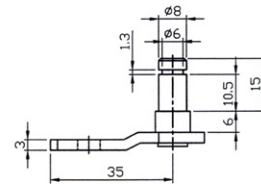
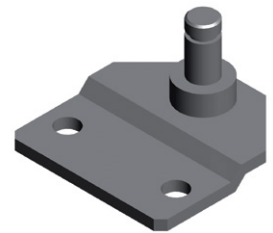
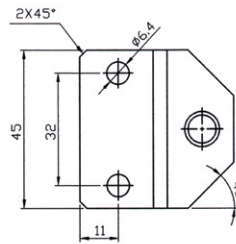


PART NO: BRACKET-10R

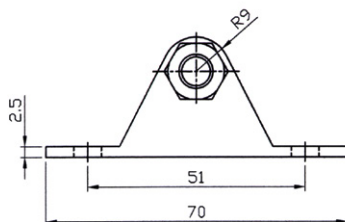
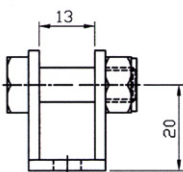
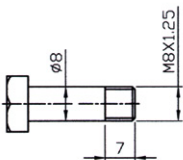
STAINLESS STEEL PART NO: BRACKET-10R-SS



PART NO: BRACKET-11

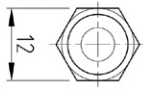


PART NO: BRACKET-12

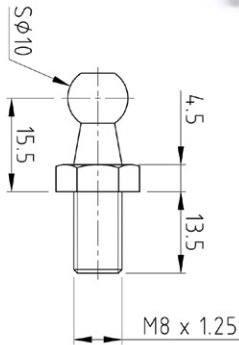


PART NO: BRACKET-13

BALL STUDS



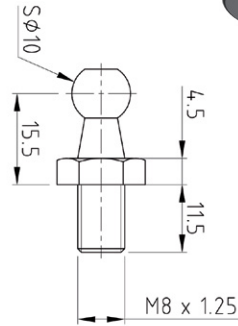
SELECTLOK
STAINLESS
STEEL



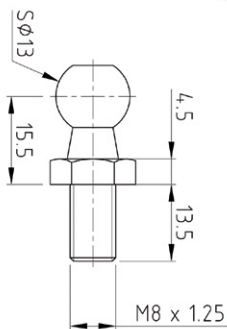
PART NO: SW-12
STAINLESS STEEL PART NO : SW-12-SS



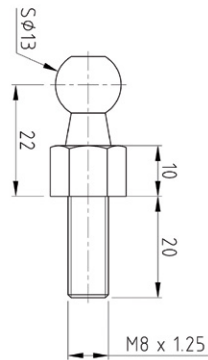
SELECTLOK
STAINLESS
STEEL



PART NO: SW-13
STAINLESS STEEL PART NO : SW-13-SS

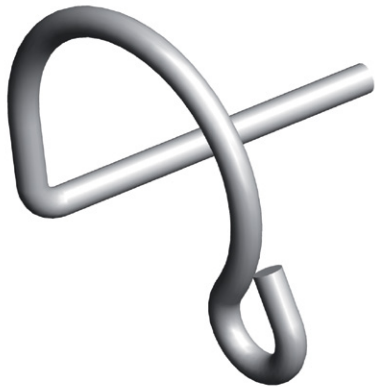


PART NO: SW-14

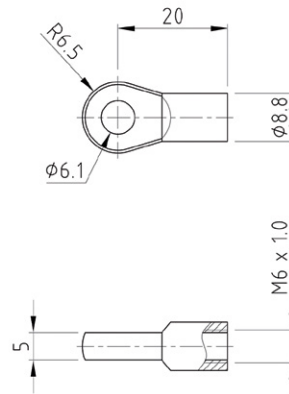


PART NO: SW-14-L

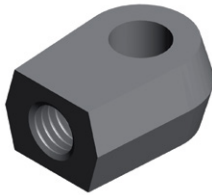
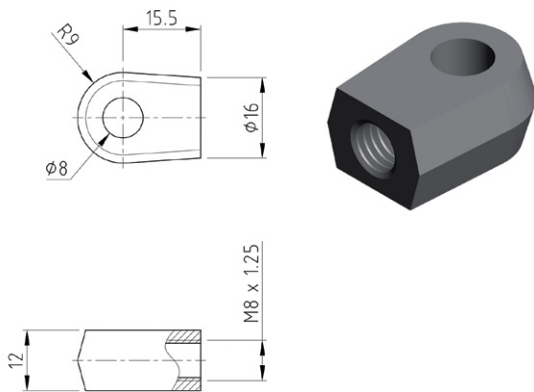
GAS STRUT CONNECTORS



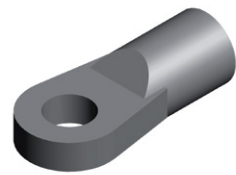
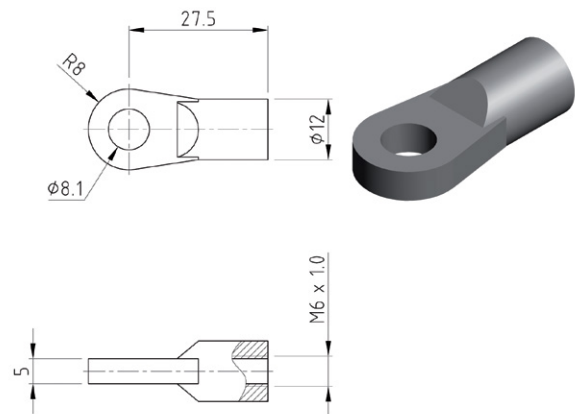
PART NO: C9CLIP



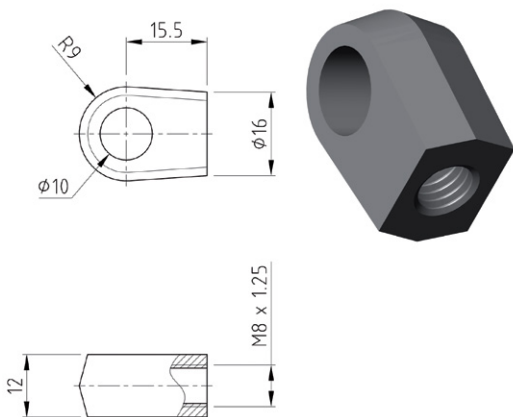
PART NO: D6



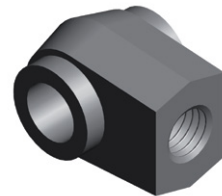
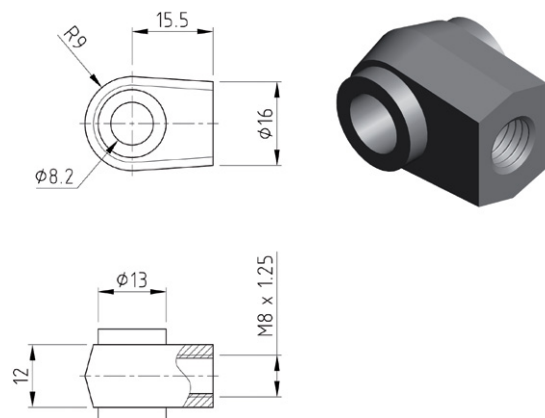
PART NO: D8



PART NO: D8A-2

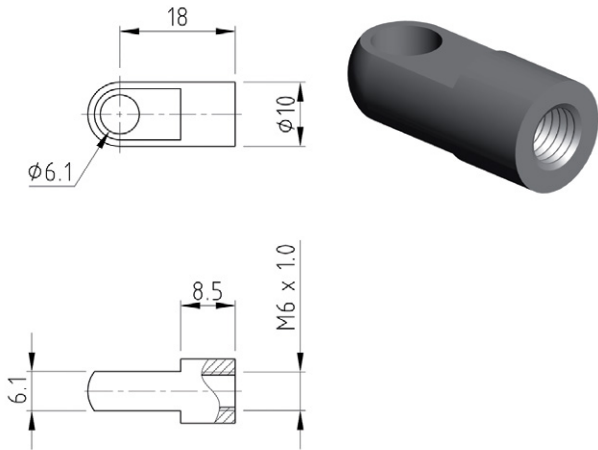


PART NO: D10

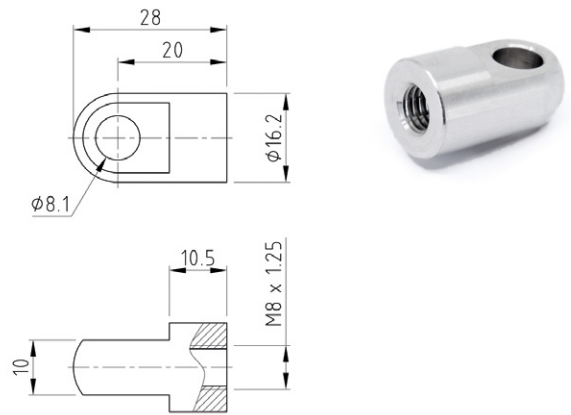


PART NO: D13

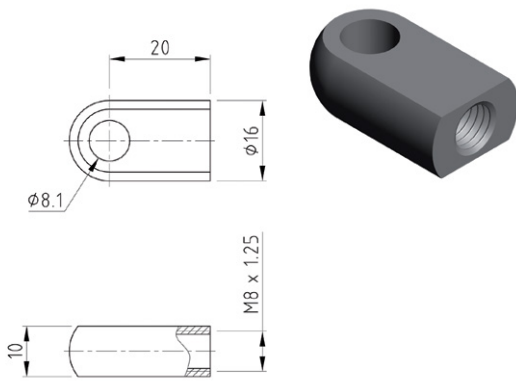
GAS STRUT CONNECTORS



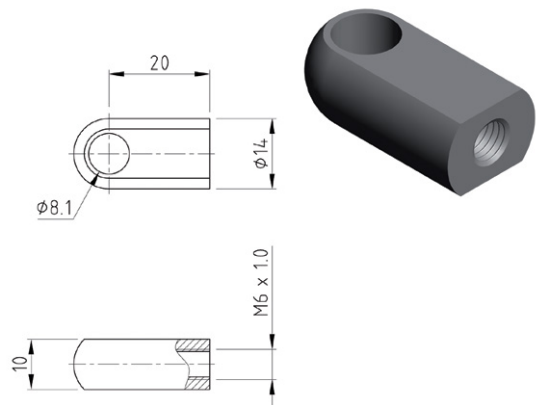
PART NO: AL01



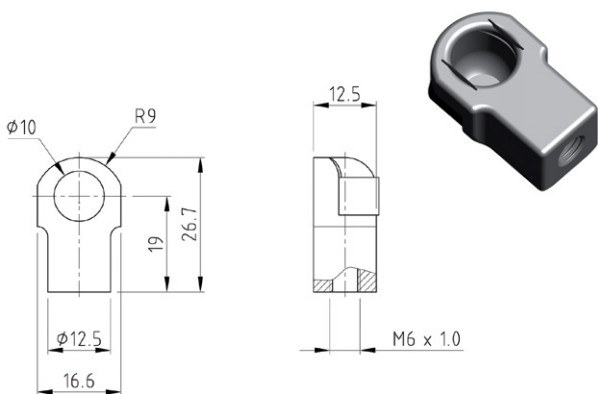
PART NO: AL02



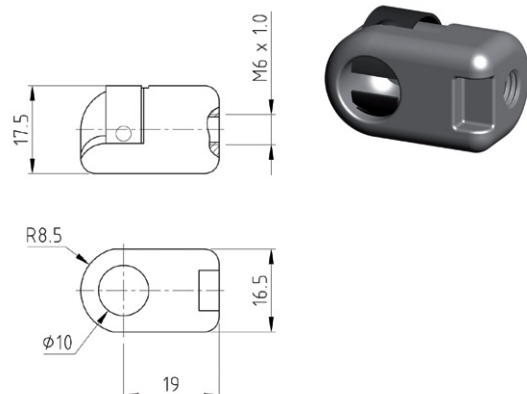
PART NO: AL03



PART NO: AL04

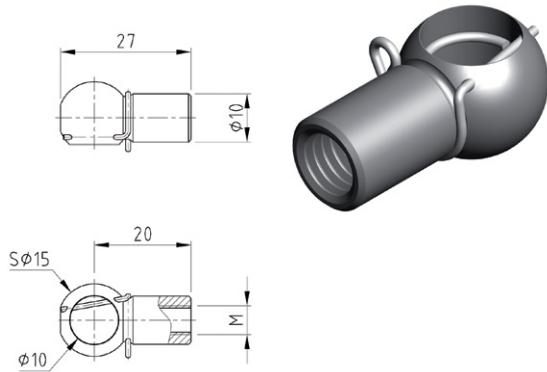


PART NO: B6

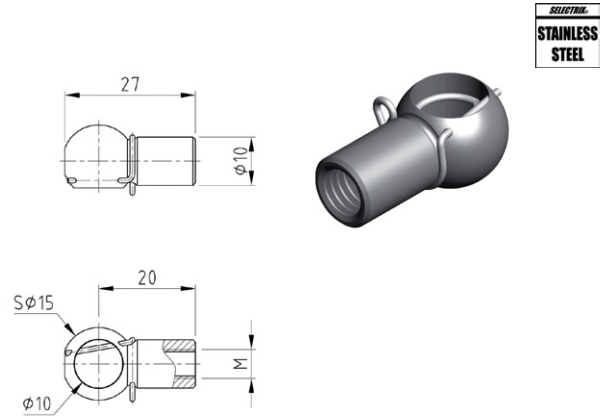


PART NO: B-9

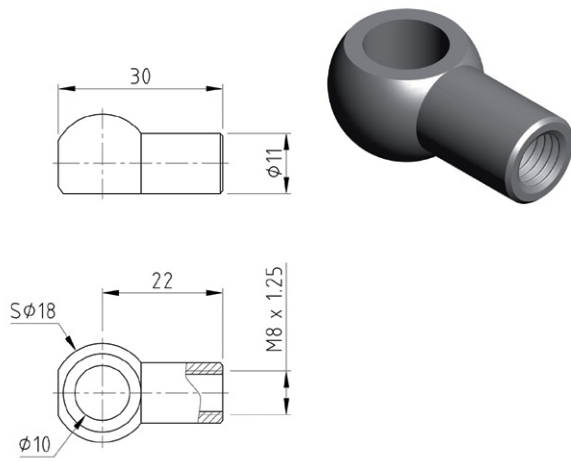
GAS STRUT CONNECTORS



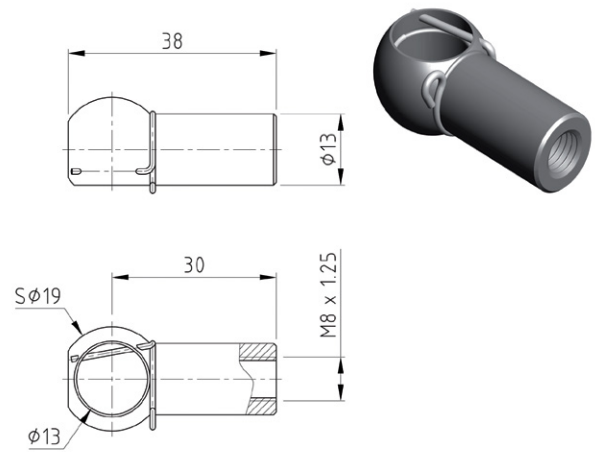
PART NO: C9 (M6)



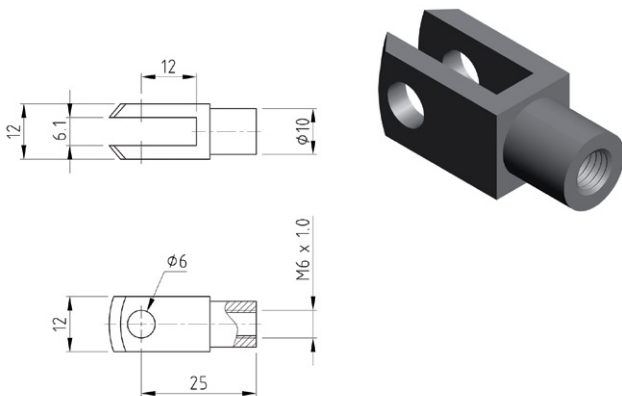
PART NO: C9A (M8)
STAINLESS STEEL PART NO : C9S20M8



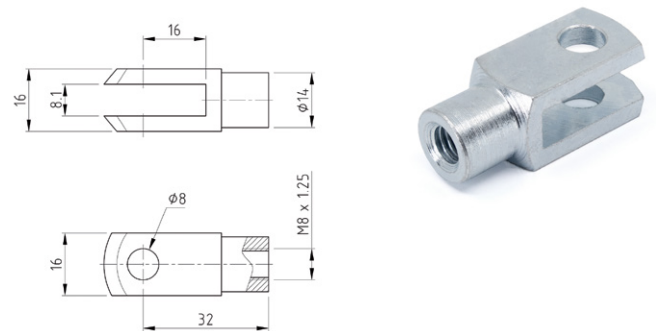
PART NO: C18



PART NO: C19

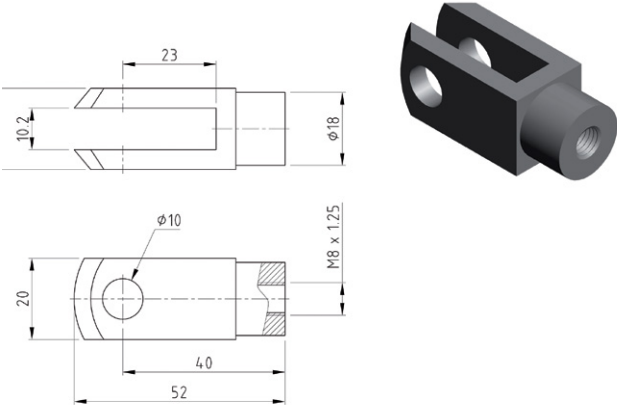


PART NO: U5

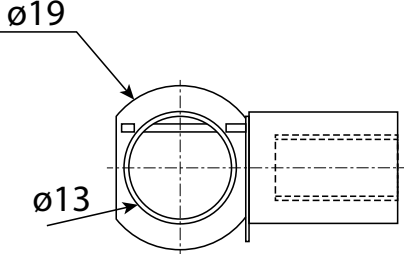
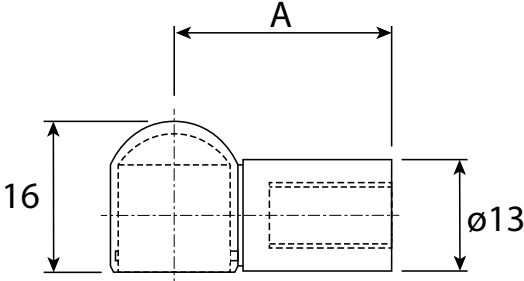


PART NO: U6

GAS STRUT CONNECTORS



PART NO: U7



BALL SOCKET WITH CIRLIP

MATERIAL & FINISH:

- Material : 12L14
- Surface treatment : Black coated



LENGTH A (mm)	HOUSING THREAD	PART NUMBER
20	M8x1.25	C1920M8-BLK
25	M8x1.25	C1925M8-BLK

Please note: Selectlok/Selectrix reserves the right to alter designs and dimensions without notice.
©Selectrix Industries Pty Ltd and Selectlok NZ Limited.

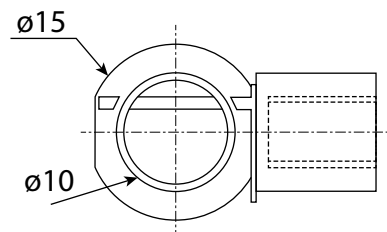
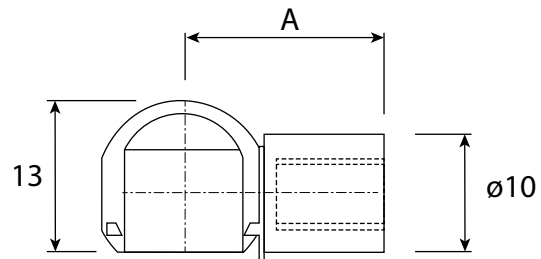
BALL SOCKET WITH CIRLIP

VERSION 1:

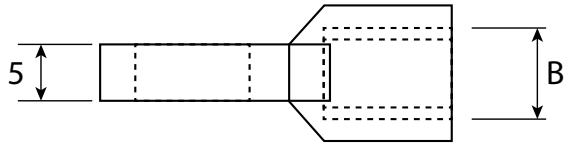
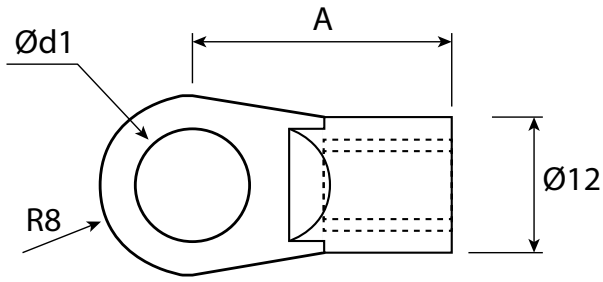
- Material : 12L14/ Stainless steel
- Surface treatment : Black coated/ vibratory grinding

VERSION 2:

- Material : Stainless steel 303
- Surface treatment : Vibratory grinding



MATERIAL & FINISH	LENGTH A (mm)	HOUSING THREAD	PART NUMBER
12L14, Black coated	20	M6x1.0	C920M6
12L14, Black coated	25	M6x1.0	C925M6
12L14, Black coated	30	M6x1.0	C930M6
12L14, Black coated	20	M8x1.25	C920M8



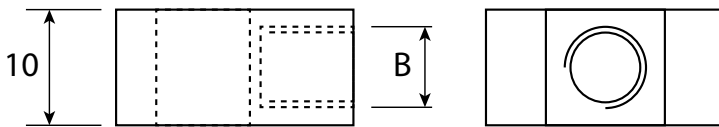
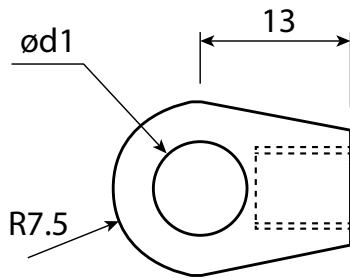
EYELET (DIE CASTING)

MATERIAL & FINISH:

- Material : Alloy zinc
- Surface treatment : Zinc plated



HOLE (mm)	HOUSING THREAD	PART NUMBER
10.1	M8x1.25	D8A5
10.1	M6x1.0	D8A6



EYELET (DIE CASTING)

MATERIAL & FINISH:

- Material : Alloy zinc
- Surface treatment : Zinc plated



HOLE (mm)	HOUSING THREAD	PART NUMBER
8.1	M6x1.0	D7A

16



SECTION SIXTEEN

[16-1 SELF CLOSING BALL BEARING SLIDES](#)

[16-2 HEAVY DUTY BALL BEARING SLIDE 227KG](#)

[16-3 HEAVY DUTY BALL BEARING SLIDE 125KG](#)

SELF CLOSING BALL BEARING SLIDE

PRODUCT DESCRIPTION:

- Light duty slide with silent soft-closing

PRODUCT FEATURE:

- Ultra smooth gliding motion with high rigidity and stability design
- Enhanced silent soft-closing feature with light opening force
- Durable damping system with fast response capability

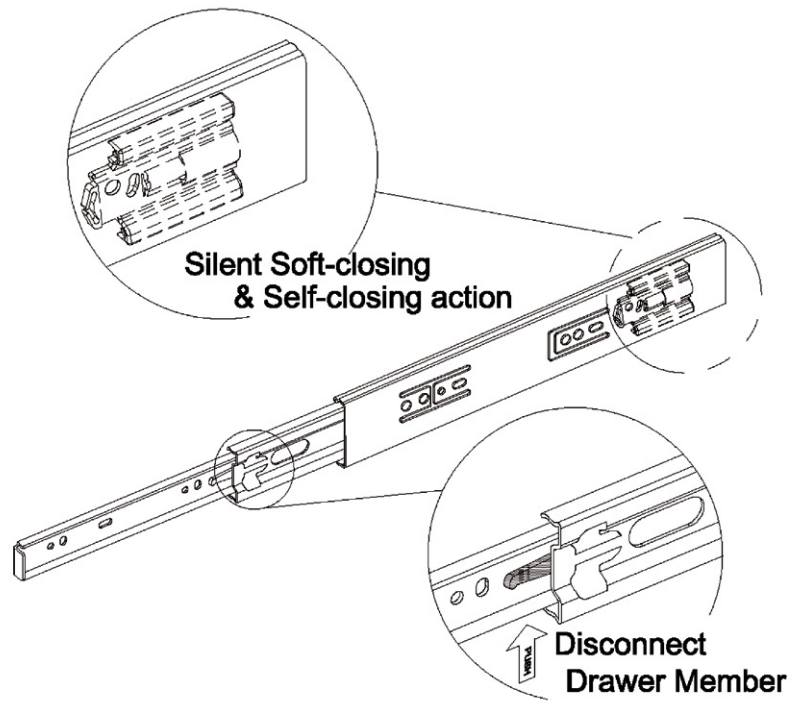
PRODUCT SPECIFICATION/ MODELS:

- Length: 300mm to 600mm (11.81" to 23.62")
- Side space: 12.7mm(+0.5mm-0mm)
- Load capacity: 45 kg /pair
- Travel: Full extension
- Mount: Side mount
- Disconnect: Lever disconnect
- Finish: Clear zinc
- Material: Cold rolled steel

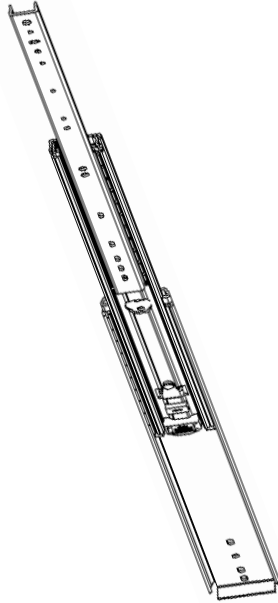
* More size ranges available on request



Also available in stainless steel



LENGTH (mm)	TRAVEL (mm)	HEIGHT (mm)	WIDTH (mm)	PART NUMBER
300	304.8	45	12.7	3M52-300
350	351	45	12.7	3M52-350
400	403	45	12.7	3M52-400
450	452	45	12.7	3M52-450
500	509	45	12.7	3M52-500
550	563	45	12.7	3M52-550
600	605	45	12.7	3M52-600



HEAVY DUTY SLIDE 227 KG

PRODUCT DESCRIPTION:

- Heavy duty slide

PRODUCT FEATURES:

- Ultra smooth gliding motion with high rigidity and stability design
- Durable damping system with fast response capability

PRODUCT SPECIFICATION/ MODELS:

- Travel: Full extension
- Mount: Side mount
- Disconnect: Lever disconnect
- Material: Cold rolled steel
- Load capacity: 227 kg
Height: 76.2 mm (3076-##)
- Width: 19.5mm

* More size ranges available on request

MAX LENGTH (mm)	LOCKING	PART NUMBER (227 kg)
400	NO	3076- 400
400	YES	3076-400-L
450	NO	3076-450
450	YES	3076-450-L
500	NO	3076-500
500	YES	3076-500-L
550	NO	3076-550
550	YES	3076-550-L
600	NO	3076-600
600	YES	3076-600-L
700	NO	3076-700
700	YES	3076-700-L
750	NO	3076-750
750	YES	3076-750-L
800	YES	3076-800-L
900	NO	3076-900
900	YES	3076-900-L
1000	NO	3076-1000
1000	YES	3076-1000-L
1200	NO	3076-1200
1200	YES	3076-1200-L
1500	NO	3076-1500
1500	YES	3076-1500-L
1800	YES	3076-1800-L



HEAVY DUTY SLIDE 125 KG

PRODUCT DESCRIPTION:

- Heavy duty slide

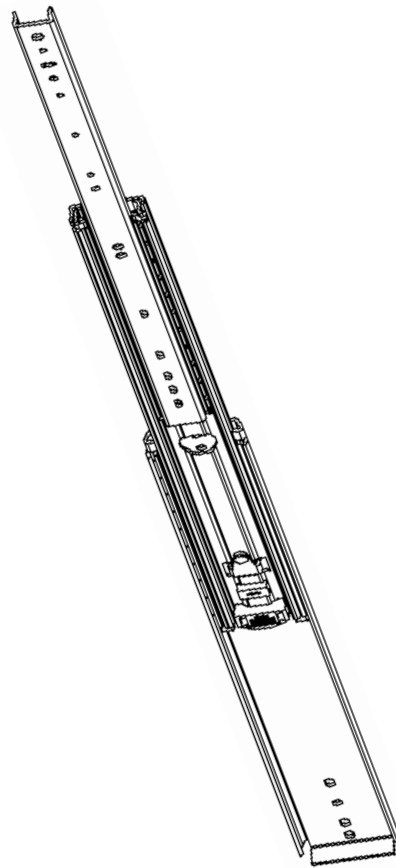
PRODUCT FEATURES:

- Ultra smooth gliding motion with high rigidity and stability design
- Durable damping system with fast response capability

PRODUCT SPECIFICATION/ MODELS:

- Travel: Full extension
- Mount: Side mount
- Disconnect: Lever disconnect
- Material: Cold rolled steel
- Load capacity: 125 kg
- Height: 53 mm (3053-##)
- Width: 19.5mm

* More size ranges available on request



MAX LENGTH (mm)	LOCKING	PART NUMBER (125 kg)
350	NO	3053-350
350	YES	3053-350-L
400	NO	3053-400
400	YES	3053-400-L
450	NO	3053-450
450	YES	3053-450-L
500	NO	3053-500
500	YES	3053-500-L
550	NO	3053-550
550	YES	3053-550-L
600	NO	3053-600
600	YES	3053-600-L
650	NO	3053-650
650	YES	3053-650-L
700	NO	3053-700
700	YES	3053-700-L
900	NO	3053-900

20



SECTION TWENTY

[20-1 IX SERIES EARTH BARS](#)

[20-2 QX SERIES EARTH BARS](#)

[20-3 STAND OFF INSULATORS](#)

IX SERIES BAR

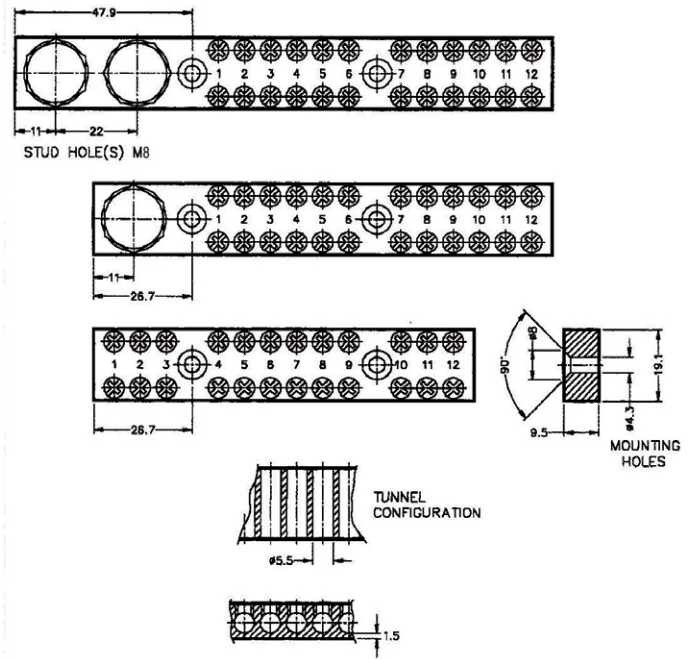
FEATURES:

- Domed terminal screws
- 2 main M8 studs
- 165 amp current rating
- 2 screws per tunnel
- Fixing holes countersunk 4mm clearance
- Tunnels for 16mm² cable
- Numbered to 3mm high
- Unnumbered or special numbering available on request
- Tunnel holes chamfered
- All edges chamfered
- RoHS compliant

MOUNTING HOLES:

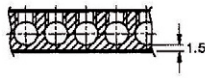
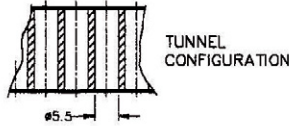
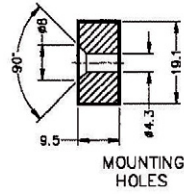
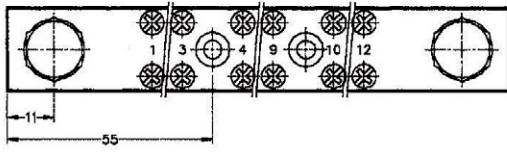
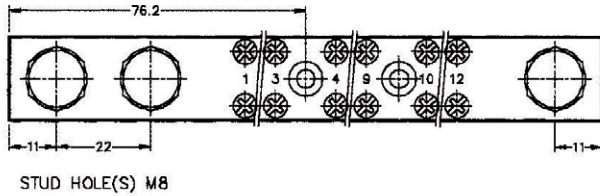
- 50mm centres up to 18 pole
- 120mm centres over 18 pole

Add insulator for neutral bar
Part No: BISEL



NO OF POLES	PART NUMBER
6	B12006IX
12	B12012IX
18	B12018IX
24	B12024IX
30	B12030IX
36	B12036IX
42	B12042IX
48	B12048IX
54	B12054IX
60	B12060IX
72	B12072IX
84	B12084IX
96	B12096IX
108	B12108IX

QX SERIES BAR



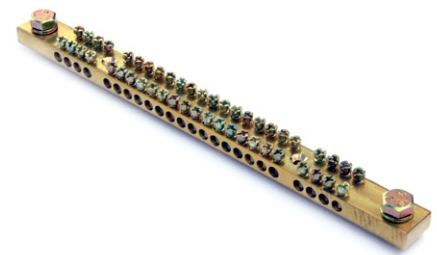
FEATURES:

- Domed terminal screws
- 2 main M8 studs
- 165 amp current rating
- 2 screws per tunnel
- Fixing holes countersunk 4mm clearance
- Tunnels for 16mm² cable
- Numbered to 3mm high
- Unnumbered or special numbering available on request
- Tunnel holes chamfered
- All edges chamfered
- RoHS compliant

MOUNTING HOLES::

- 50mm centres up to 18 pole
- 120mm centres over 18 pole

Add insulator for neutral bar
Part No: BISEL



NO OF POLES	PART NUMBER
6	B12006QX
12	B12012QX
18	B12018QX
24	B12024QX
30	B12030QX
36	B12036QX
42	B12042QX
48	B12048QX
54	B12054QX
60	B12060QX
72	B12072QX
84	B12084QX
96	B12096QX
108	B12108QX

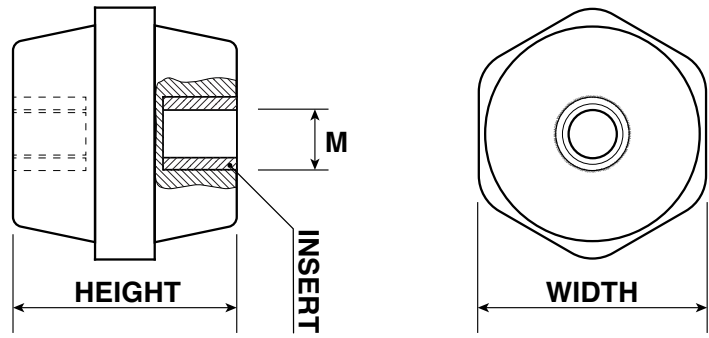
STAND OFF INSULATOR

FEATURES:

- Octagon shape for easy installation
- High dielectric strength
- Arc quenching and tracking
- Wear and corrosion resistant
- High quality finish and appearance
- High mechanical strength
- Dimensional stability
- Moulded-in brass insert
- Chemical and oil resistant

MATERIAL:

- Glass reinforced polyester



HEIGHT (mm)	WIDTH (mm)	INSERT	TENSILE STRENGTH	TORQUE	PART NUMBER
25	22	M6	227kg	1.4 Kg Mtrs	I025EN-E
30	30	M6	272kg	1.4 Kg Mtrs	I030EN-E
35	32	M8	295kg	3.5 Kg Mtrs	I035FN-E
40	41	M8	363kg	3.5 Kg Mtrs	I040FN-E
45	46	M8	454kg	3.5 Kg Mtrs	I045FN-E
50	36	M8	409kg	3.5 Kg Mtrs	I050FN-E
50	46	M10	500kg	6.9 Kg Mtrs	I050GN-E
60	60	M10	907kg	6.9 Kg Mtrs	I060GN-E
75	50	M10	680kg	6.9 Kg Mtrs	I075GN-E
50	46	M12	680kg	11.8 Kg Mtrs	I050HN-E
75	50	M12	680kg	11.8 Kg Mtrs	I075HN-E

21

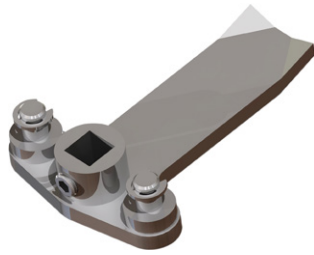


SECTION TWENTY ONE

[21-1 STAINLESS STEEL PRODUCTS](#)

STAINLESS STEEL PRODUCTS

SELECTLOK
STAINLESS
STEEL



REFER TO PAGE	PART NUMBER
Section 3-6	1000-1587-SS

SELECTLOK
STAINLESS
STEEL



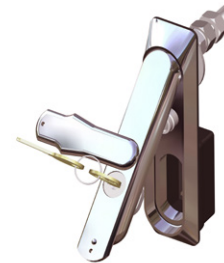
REFER TO PAGE	PART NUMBER
Section 4-3	MT203-3S

SELECTLOK
STAINLESS
STEEL



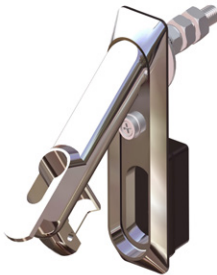
REFER TO PAGE	PART NUMBER
Section 5-5	1107SSS04N

SELECTLOK
STAINLESS
STEEL



REFER TO PAGE	PART NUMBER
Section 5-15	1107SSSU3-01

SELECTLOK
STAINLESS
STEEL



REFER TO PAGE	PART NUMBER
Section 5-20	1107SSSU3-45

SELECTLOK
STAINLESS
STEEL



REFER TO PAGE	PART NUMBER
Section 5-23	1107-SS02-316

SELECTLOK
STAINLESS
STEEL



REFER TO PAGE	PART NUMBER
Section 6-6	94009SS

SELECTLOK
STAINLESS
STEEL



REFER TO PAGE	PART NUMBER
Section 11-3	HIB650SS-316NS

STAINLESS STEEL PRODUCTS

SELECTLOK
STAINLESS
STEEL



REFER TO PAGE	PART NUMBER
Section 11-6	HIB820SS-316NS

SELECTLOK
STAINLESS
STEEL



REFER TO PAGE	PART NUMBER
Section 11-7	HIB880NS-E

SELECTLOK
STAINLESS
STEEL



REFER TO PAGE	PART NUMBER
Section 11-8	HIB900NS-E

SELECTLOK
STAINLESS
STEEL



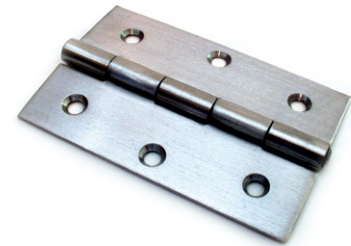
REFER TO PAGE	PART NUMBER
Section 11-13	113080-S

SELECTLOK
STAINLESS
STEEL



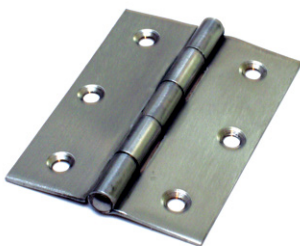
REFER TO PAGE	PART NUMBER
Section 11-15	HIB100752SS

SELECTLOK
STAINLESS
STEEL



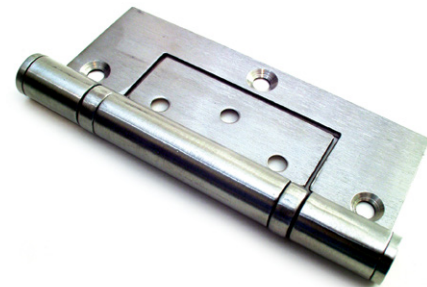
REFER TO PAGE	PART NUMBER
Section 11-15	HIB7550SS

SELECTLOK
STAINLESS
STEEL



REFER TO PAGE	PART NUMBER
Section 11-16	HIB705016SS

SELECTLOK
STAINLESS
STEEL



REFER TO PAGE	PART NUMBER
Section 11-16	HIB100SS

STAINLESS STEEL PRODUCTS

SELECTLOK
STAINLESS
STEEL



REFER TO PAGE PART NUMBER
[Section 11-17](#) [HIB44SS](#)

SELECTLOK
STAINLESS
STEEL



REFER TO PAGE PART NUMBER
[Section 11-22](#) [CL253-6](#)

SELECTLOK
STAINLESS
STEEL



REFER TO PAGE PART NUMBER
[Section 11 - 26](#) [HIPxx-SS](#)

SELECTLOK
STAINLESS
STEEL



REFER TO PAGE PART NUMBER
[Section 11 - 27](#) [HIP32SS-1000-N](#)

SELECTLOK
STAINLESS
STEEL



REFER TO PAGE PART NUMBER
[Section 12 - 1](#) [M079-4-0-292-00x](#)

SELECTLOK
STAINLESS
STEEL



REFER TO PAGE PART NUMBER
[Section 12 - 2](#) [M179-44-001](#)

SELECTLOK
STAINLESS
STEEL



REFER TO PAGE PART NUMBER
[Section 13 - 2](#) [152103-S](#)

SELECTLOK
STAINLESS
STEEL



REFER TO PAGE PART NUMBER
[Section 13 - 2](#) [9156-SS](#)

STAINLESS STEEL PRODUCTS

SELECTLOK
STAINLESS
STEEL



REFER TO PAGE	PART NUMBER
Section 13 - 3	152104-S

SELECTLOK
STAINLESS
STEEL



REFER TO PAGE	PART NUMBER
Section 13 - 9	FEM16001-25-1

SELECTLOK
STAINLESS
STEEL



REFER TO PAGE	PART NUMBER
Section 13 - 9	FEM16001-29-1

SELECTLOK
STAINLESS
STEEL



REFER TO PAGE	PART NUMBER
Section 13 - 10	FEX16003

SELECTLOK
STAINLESS
STEEL



REFER TO PAGE	PART NUMBER
Section 13 - 10	KLC-EM1

SELECTLOK
STAINLESS
STEEL



REFER TO PAGE	PART NUMBER
Section 13 - 13	196510-S

SELECTLOK
STAINLESS
STEEL



REFER TO PAGE	PART NUMBER
Section 13 - 13	MS794-2

SELECTLOK
STAINLESS
STEEL



REFER TO PAGE	PART NUMBER
Section 14 - 1	92106SS
Section 14 - 1	92106-1SS

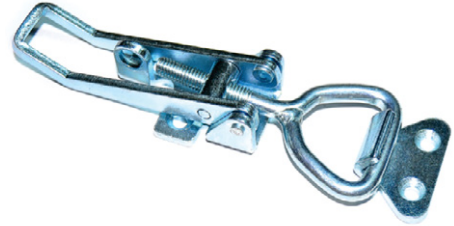
STAINLESS STEEL PRODUCTS

SELECTLOK
STAINLESS
STEEL



REFER TO PAGE	PART NUMBER
Section 14 - 2	92105SS
Section 14 - 2	92105-1SS

SELECTLOK
STAINLESS
STEEL



REFER TO PAGE	PART NUMBER
Section 14 - 2	92104SS
Section 14 - 2	92104-1SS

SELECTLOK
STAINLESS
STEEL



REFER TO PAGE	PART NUMBER
Section 14 - 3	147050-S
Section 14 - 3	147054-S

SELECTLOK
STAINLESS
STEEL



REFER TO PAGE	PART NUMBER
Section 15 - 7	SS2-xxxx10-xxxN-SS

SELECTLOK
STAINLESS
STEEL



REFER TO PAGE	PART NUMBER
Section 15 - 14	C9S20M8

SELECTLOK
STAINLESS
STEEL



REFER TO PAGE	PART NUMBER
Section 15 - 16	C9##M#

22



SECTION TWENTY TWO

22-1 ILOQ ELECTRONIC LOCKING SOLUTION

22-12 ELECTRONIC CABINET LOCKS

ELECTRONIC LOCKING SOLUTIONS

iLOQ

iLOQ is the world's first electronic locking system with lock cylinders powered when a key is inserted. No cabling or batteries are needed. The powerful iLOQ encryption system offers you flexible but secure access through the easily managed control of access rights. The iLOQ S10 Locking system is managed via the Internet. Access rights management is quick and easy, and lost keys can be removed from the system in a moment.

COMPATIBLE:

- iLOQ is compatible with most modern Scandinavian and Euro cylinder cases
- No modifications to doors required

SIMPLIFIES THE DESIGN OF LOCKING SYSTEM:

- Self-powered iLOQ requires no batteries or cables in or around the doors
- Access rights can be easily modified for each purpose
- With cabling, iLOQ S10 can be extended into a remotely controlled system

SECURE AND FLEXIBLE ALREADY DURING THE BUILDING STAGE:

- Locks can be installed as soon as doors are in place
- In refurbishment applications, cylinders can be installed before work begins
- Access to work areas is simplified and multiple keys eliminated
- Different access rights can be set for staff
- Lost keys are easy and fast to block and render worthless



iLOQ LOCKING SOLUTION

Mechanical Locking

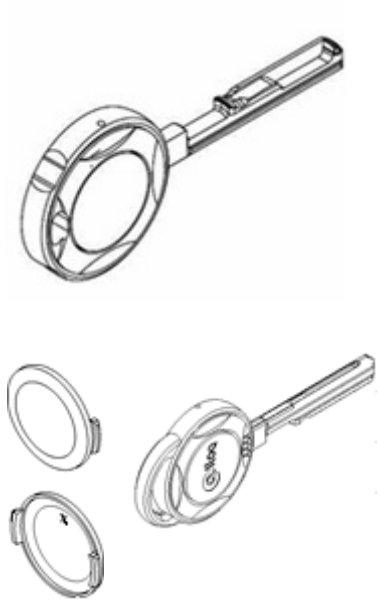
Battery Locking



	iLOQ LOCKING SOLUTION	Mechanical Locking	Battery Locking
Key encryption	YES	No	Yes
Lock encryption	YES	No	Yes
Long key lifetime	YES	Yes	No
Long lock lifetime	YES	Yes	No
Using key to program lock	YES	No	No
Time restricted access	YES	No	Optional
Key re-programming	OPTIONAL	No	Yes
Key remote programming	YES	No	No
Lock re-programming	YES	No	Yes
Collection of log information from locks	YES	No	Yes
External access right restriction using switch	OPTIONAL	No	No
Independent from battery or power supply risks	YES	Yes	No
Frost resistant	YES	Yes	No
Delivery and stocking	FAST	Slow	Slow
System maintenance	EASY	Complicated	Complicated
Decentralized up-to-date management	YES	No	No
Graphic floor plans	YES	No	No
Handling of security critical information	ENCRYPTED	By manufacturer	By manufacturer
Environmental friendliness	YES	No	No
Lost key costs	VERY LOW	High	Low
Expand to a completely remote managed system	YES	No	No

NEW!

iLOQ KEYS



FEATURES:

- Battery-free digital key
- Key body made of stainless steel
- All iLOQ C10S lock cylinders and iLOQ K10S.1 keys are mechanically alike
- Secured using SHA-1 cryptographic engine, 64bit unique secret
- Access groups programmed at handover, maximum 15 groups per key
- Each key has unique identifier and can be individually blacklisted
- Laser stamped four digit random number
- Programmed by [iLOQ S10 Management software](#) and [iLOQ P10S Programming device](#) or via [iLOQ N001 Network module](#)
- Erased upon return, may be reused, for instance in another locking system
- Dallas Semiconductor DS2432 1k-bit Protected 1-Wire® EEPROM with SHA-1 Engine
- Place for optional RFID pet disc (16 mm)

DESCRIPTION	PART NUMBER
KEY	K10S.1
COLOURED CLOVER	A10.21-A10.28
KEY	K10S.1



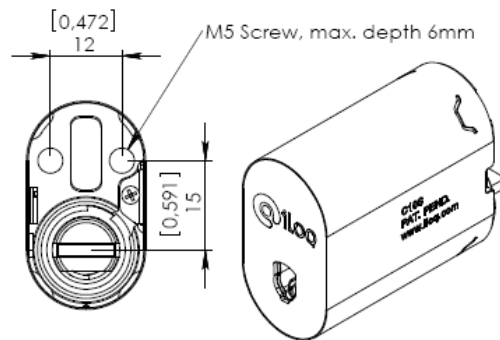
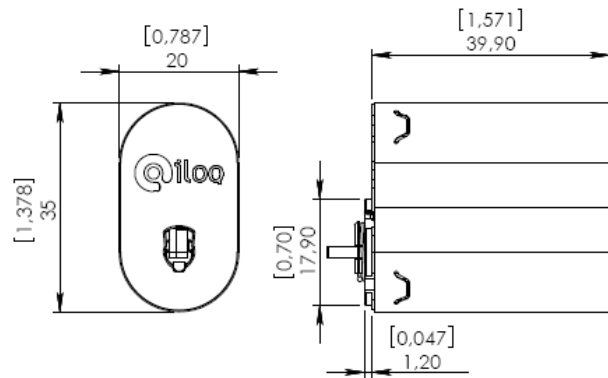
iLOQ CYLINDER OVAL

FEATURES:

- Programmable electromechanic lock cylinder
- Self-powered: no batteries or external energy source required for the lock and key, and no need for cabling
- All iLOQ C10S lock cylinders and iLOQ K10S.1 keys are mechanically alike
- Standard sized and mechanically compatible with existing Scandinavian oval lock cylinders, and therefore easy to install
- Secured using powerful encryption methods; unique 64bit challenge and SHA-1 computed 160bit MAC pair for key authentication
- Programmed using a mobile phone or computer and [iLOQ P10S programming device](#)
- Blacklist for individual lost keys
- Access group list for key accesses
- Combined blacklist and access group capacity 128 entries
- Audit trail capacity 512-572 events
- Pre-blacklisting of lost key using new replacing key



NEW!



DESCRIPTION	PART NUMBER
INDOOR	C10S.10
OUTDOOR	C10S.1

NEW!

iLOQ CYLINDER OVAL ACCESSORIES

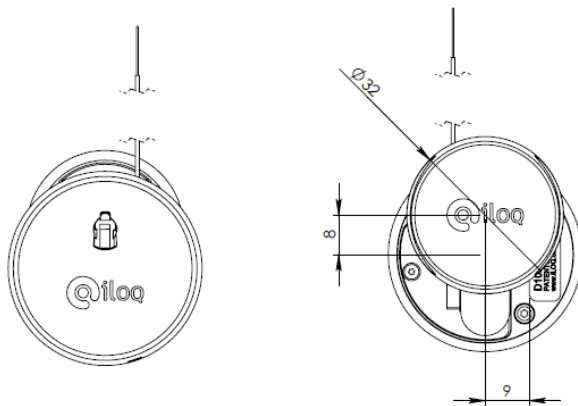
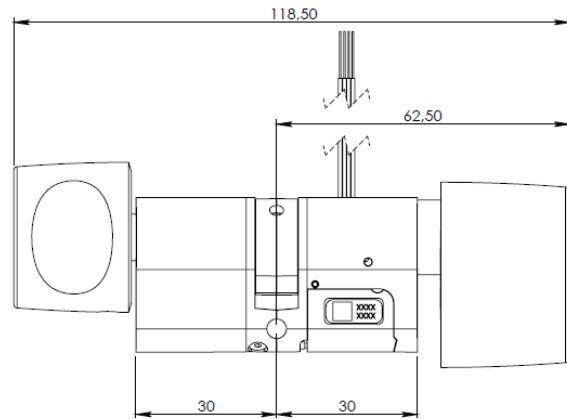
DESCRIPTION	PART NUMBER
Norwegian tail	C10S.1N
Cylinder connection wires	A00.7
Real time clock (RTC) connection wires	A00.8
Real time clock (RTC)	A00.1
On/Off switch	A00.2
Connector cable	A10.34
FIN (dual side)	A10.1
SWE (dual side)	A10.1 1
FIN (single side)	A10.15
SWE (single side)	A10.19
FIN (rim lock)	A10.3
FIN (rim lock cylinder plate)	E10.B6
Cup cylinder ring	E10.B7
High security Lock cover	E10.D1
High security lock cover with lid	E10.D3
High security adapter round, SWE	E10.D5
Cylinder ring	E10.AB1, E10.AB2
Cylinder ring inside	E10.D5
High security lock cover	E10.Dx
Security adapter torque resistant plate	A10.44
Cylinder ring 20mm narrow profile	E10.AC1
Cylinder ring 26mm narrow profile	E10.C3
Cylinder ring 26mm narrow profile inside	E10.C4
26mm narrow profile escutcheon	E10.C7
26mm narrow profile escutcheon inside	E10.C8
High security lock cover narrow profile	E10.E1
High security escutcheon set, SWE	E10.E2
Escutcheon inside, SWE	E10.E3
High security escutcheon, SWE	E10.E4
Escutcheon inside, SWE	E10.E5
High security cover plate blind	E10.E6
Cover plate inside, narrow	E10.E7
Security narrow profile escutcheon	E10.E8



iLOQ CYLINDER EUROPROFILE

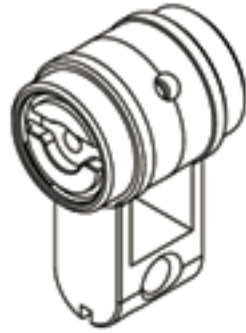
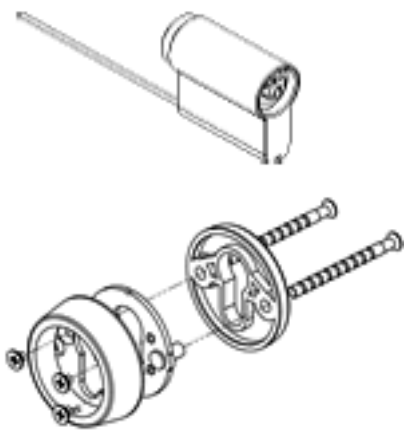
FEATURES:

- Robust and durable - down to -40°C.
- Flexible storage and fast delivery.
- Access rights are programmed into the key.
- No need to program the locks.
- Access rights deleted upon key return.
- Key can be endlessly reused.
- Insertion of a new key can eliminate old key access rights.



NETBOX CONNECTION	RTC	PART NUMBER
-	-	D10S.300
YES	YES	D10S.301
YES	YES	D10S.311
YES	YES	D10S.100
YES	YES	D10S.110
YES	YES	D10S.101
YES	YES	D10S.111
YES	YES	D10S.200
YES	YES	D10S.210
YES	YES	D10S.210
YES	YES	D10S.211

NEW!



iLOQ CYLINDER EURO PROFILE ACCESSORIES

DESCRIPTION	PART NUMBER
Cylinder extension piece 5 mm	A10.E5.0
Cylinder extension piece 10 mm	A10.E10.0
Cylinder extension piece 15 mm	A10.E15.0
Cylinder extension piece 20 mm	A10.E20.0
Cylinder extension piece 25 mm	A10.E20.0
Cylinder extension piece 30 mm	A10.E30.0
Cylinder extension piece 35 mm	A10.E35.0
Cylinder extension piece 40 mm	A10.E40.0
(RTC) optional for Europrofile cylinder	A00.5
Connecting unit	A10.72, A10.65
Blind end unit	A10.67
Dummy unit	A10.66
Turning knob unit	A10.77
Locking bar for D10 series cylinder	A10.75
Europrofile cylinder ring set	A10.43
High security SKG*** cylinder ring set	D400



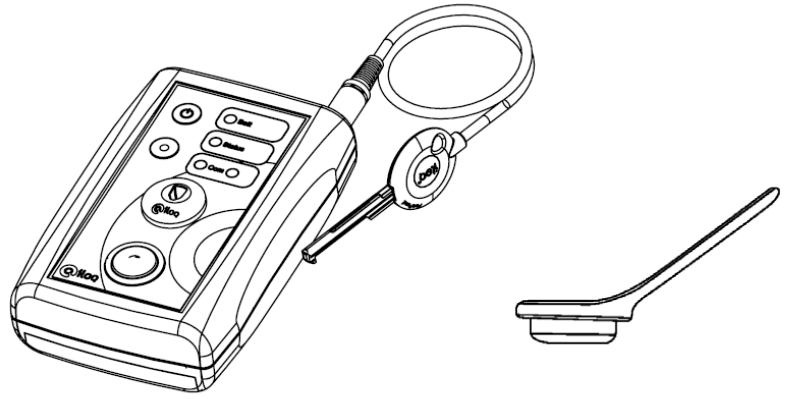
iLOQ

SOFTWARE

FEATURES:

The iLOQ locking system is managed securely over the Internet, enabling decentralized control, and connection to building floor plans. Keys and locks updated by portable system programmer.

NEW!



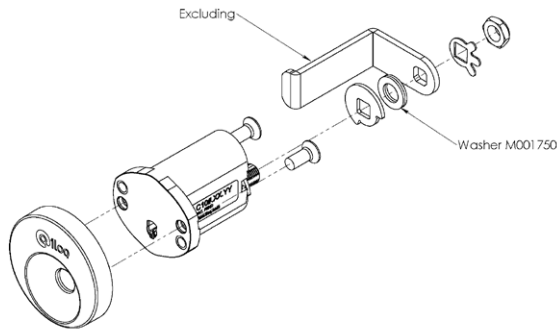
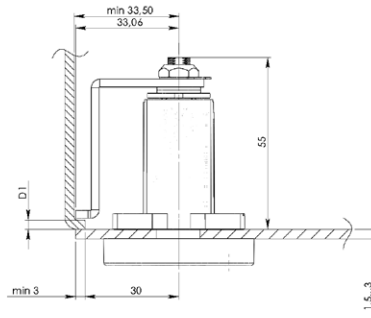
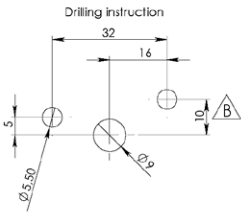
DESCRIPTION	PART NUMBER
Software	S10
Programmer	P10S.10, P10S.20
Token	P10S.3

NEW!

iLOQ CAMLOCK

FEATURES:

- Flexible access rights management and analysis of lock log data from furniture locks, padlocks and secure key tubes without batteries or cabling.
- A wide range of door furniture and fittings.



DESCRIPTION	OUTDOOR	INDOOR	PART NUMBER
Camlock		YES	C10S.50
Camlock	YES		C10S.5
Camlock		YES	C10S.30

INSTALLATION KITS

DESCRIPTION	PART NUMBER
For camlock C10S.50	A10.18
For camlock C10S.50	A10.58
For camlock C10S.50	A10.59
For camlocks C10S.30	G1020
For camlocks C10S.30	G1021
For camlocks C10S.30	G1022
For camlocks oval cylinder	A10.32
Connected flat bolt cam bolt part	A10.70
Extention	A10.71
For 45mm camlock bolt	A10.13
For 15mm camlock bolt	A10.14
Stala mailbox cam bolt	A10.16
Bobi & Citybox mailbox cam bolt	A10.17
Strike plate	A10.61

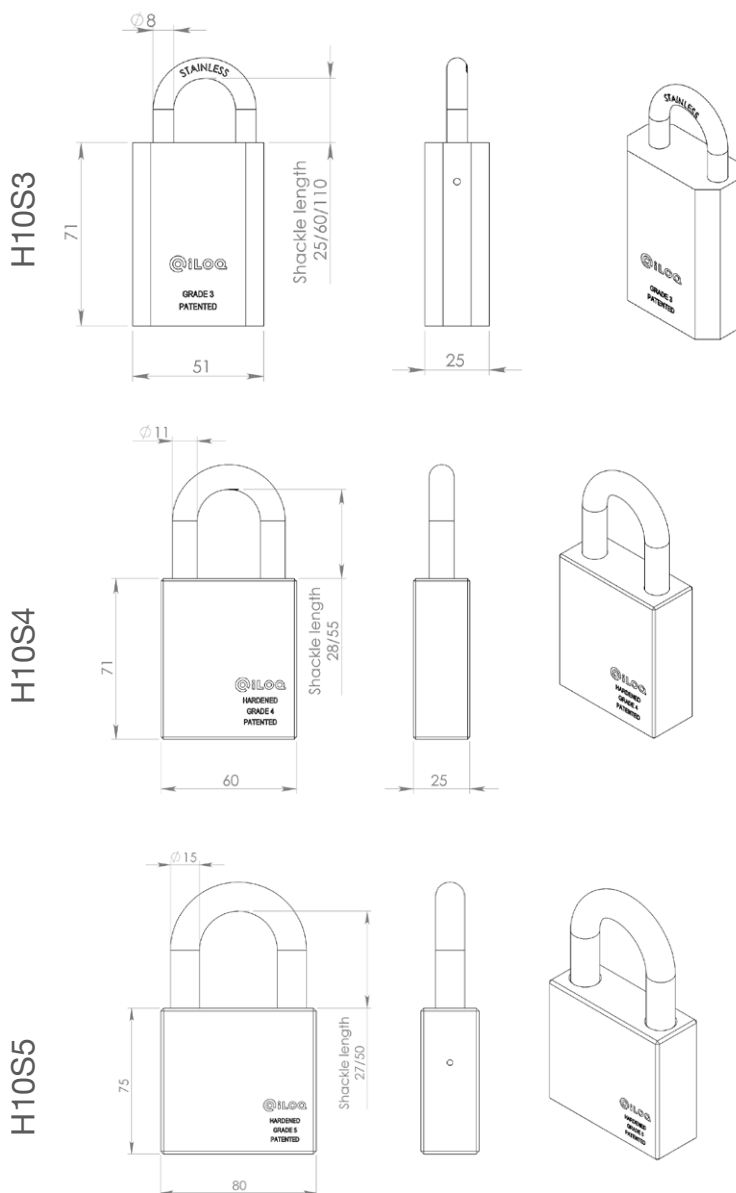


iLOQ PADLOCK



FEATURES:

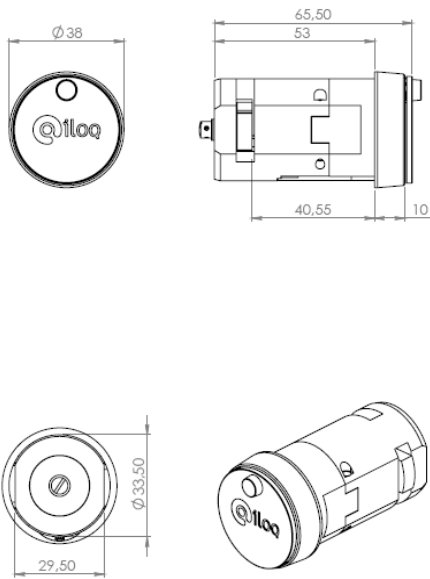
- Programmable electromechanic padlock
- Self-powered: no batteries or external energy source required for the lock and key
- All iLOQ padlocks and iLOQ K10S.1 keys are mechanically alike
- Secured using powerful encryption methods; unique 64bit challenge and SHA-1 computed 160bit
- MAC pair for key authentication
- Programmed using a mobile phone or computer and [iLOQ P10S Programming device](#)
- Blacklist for individual lost keys
- Access group list for key accesses
- Combined blacklist and access group capacity 128 entries
- Audit trail capacity 512-572 events
- Pre-blacklisting of lost key using new replacing key



SHACKLE SIZE	RTC	OUTDOOR	PART NUMBER
8/25mm - 8/60mm			H10S3.10
8/25mm - 8/60mm		YES	H10S3.1
8/25mm - 8/60mm			H10S3.10C
8/25mm - 8/60mm		YES	H10S3.1C
8/25mm - 8/60mm			H10S4.10
11/28mm - 11/50mm		YES	H10S4.1
11/28mm - 11/50mm			H10S4C.10
11/28mm - 11/50mm		YES	H10S4.1C
15/27mm - 15/50mm		YES	H10S5.1
15/27mm - 15/50mm	YES	YES	H10S5.2
15/27mm - 15/50mm		YES	H10S5.1C
15/27mm - 15/50mm	YES	YES	H10S5.2C

NEW!

iLOQ KEYTUBE



FEATURES:

- Programmable electromechanic key-tube lock
- Self-powered: no batteries or external energy source required for the lock and key, and no need
- for cabling
- All iLoq C00S key-tube locks and iLoq K10S keys are mechanically alike
- Fits into standard 40 mm key-tubes, and therefore easy to install
- Dust and rain protected keyway
- Secured using powerful encryption methods; unique 64bit challenge and SHA-1 computed 160bit
- MAC pair for key authentication
- Programmed using a mobile phone or computer and [iLOQ P10S Programming device](#)
- Blacklist for individual lost keys
- Access group list for key accesses
- Combined blacklist and access group capacity 128 entries
- Audit trail capacity 768-832 events



DESCRIPTION	RTC	OUTDOOR	PART NUMBER
Key tube 33mm			C00S.1
Key tube 33mm	YES	YES	C00S.2
Key tube cylinder			C00S.3
Key tube adapter		YES	A10.60

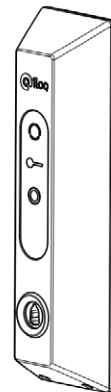
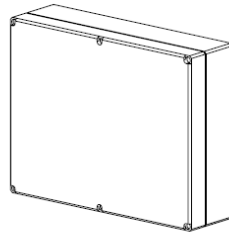
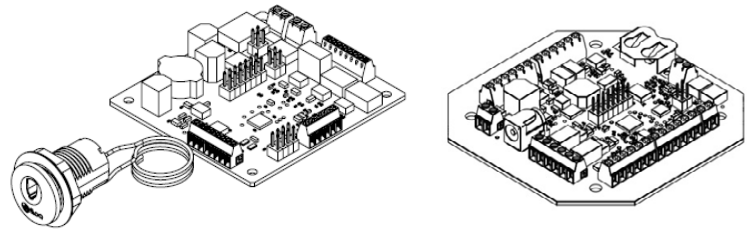
iLOQ

EXTENSIONS

FEATURES:

iLOQ Net box enables expansion to a fully remotely managed locking system. iLOQ Net Box enables remote programming of keys and locks, remote reading of lock log data, as well as remote time control of electric locking.

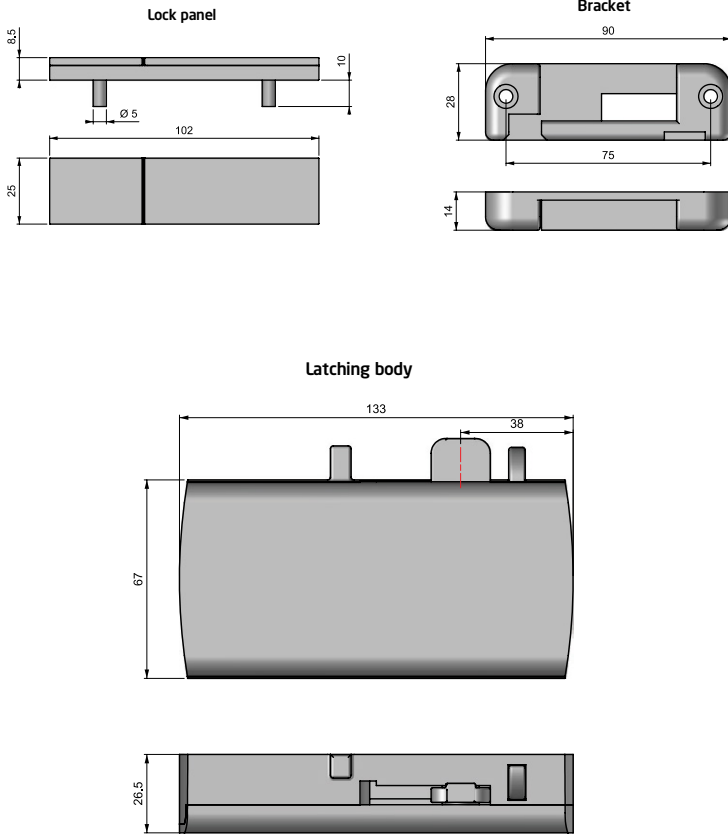
NEW!



DESCRIPTION	PART NUMBER
Net box	N001.1, N001.2
External GPRS antenna	A00.6
Key programming hot spot	N003.1, N003.2
Key switch	R10S.2.1, R10S.2.2
Key reader	A10.56.1, A10.56.2
Additional key reader head	A10.42
Mechanical key switch box	A10.62
Booker	A500

NEW!

ELECTRONIC CABINET LOCK



FEATURES:

- Ability to open with a RFID card without key.
- Elegant design suitable for office environments
- Multi-user support
- Behind the sliding cover Micro USB external battery supply for emergency
- Low battery level indicator
- Use two different methods (General use & Special use)
- Easy installation & easy to use
- High security with robber alarm
- Melody yes / no adjustment
- Stylish visual warning LEDs

APPLICATIONS:

- Various cabinets or lockers in sauna area spa, gym, office, school etc.

MATERIALS:

Body	Plastic
Lock panel	Plastic
Gasket	Rubber
Cam	Steel

TECHNICAL SPECIFICATIONS:

- | | |
|-------------------------------|---------------------------------|
| • Operating voltage | 3x1.5 V = 4.5 V |
| • Battery | 3xAA Alkali battery |
| • Battery life | Approx. 1,5 year (daily 10 use) |
| • Card Type | RFID 13.56Mhz MIFARE |
| • Operating temperature range | -15 ~ 55 °C |
| • Operating humidity range | 0 ~ 90 % RH |



PART NUMBER

M3203

ELECTRONIC CABINET LOCK

NEW!

FEATURES:

- Ability to open with a password without card and key.
- Elegant design suitable for office environments & Stylish visual warning LEDs
- Multi-user support
- Behind the sliding cover Micro USB
- external battery supply for emergency
- Low battery level indicator
- Use two different methods (General use, Special use)
- Easy installation & easy to use
- High security & robber alarm
- Melody yes / no adjustment

APPLICATIONS:

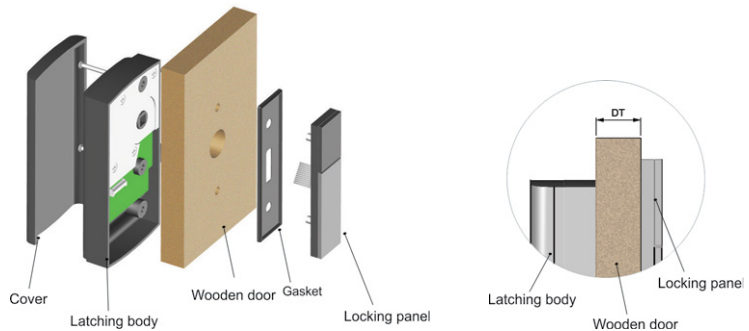
- Various cabinets or lockers in sauna area spa, gym, office, school etc.

MATERIALS:

Body	Plastic
Latching body	Zinc die
Gasket	Rubber
Cam	Steel



DOOR THICKNESSES	
Min	Max
11mm	27mm



TECHNICAL SPECIFICATIONS:

- | | |
|-------------------------------|---------------------------------|
| • Operating voltage | 3x1.5 V = 4.5 V |
| • Battery | 3xAA Alkali battery |
| • Battery life | Approx. 1,5 year (daily 10 use) |
| • Password combination | 4-12 digit |
| • Operating temperature range | -15 ~ 55 °C |
| • Operating humidity range | 0 ~ 90 % RH |

PART NUMBER

M3202

23



SECTION TWENTY THREE

[23-1 PUSH KNOB WITH LATCH](#)

[23-2 PUSH HANDLE KNOB](#)

[23-3 HANDLE](#)

[23-3 FURNITURE CATCH](#)

PUSH KNOB WITH LATCH

FUNCTION:

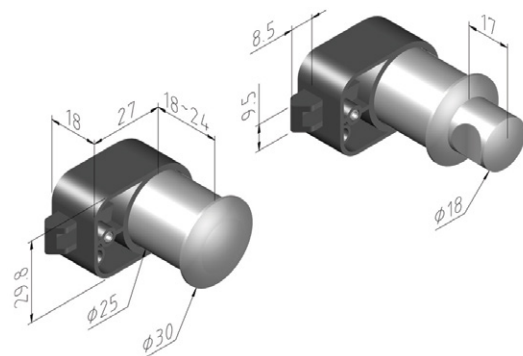
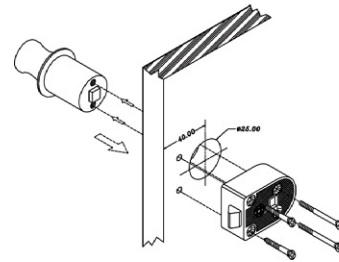
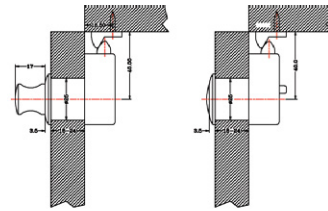
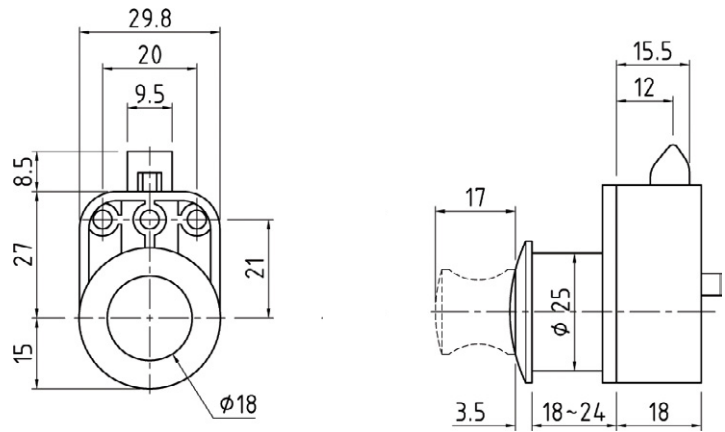
Close the door, push the knob, activate and secure the latch so the door will not open until the knob is pushed again, suitable for left and right side use. Push knob functions as handle while unlocked. High quality plated zinc alloy push knob guarantees the function

MATERIAL:

Plastic bottom black color, Zinc alloy knob

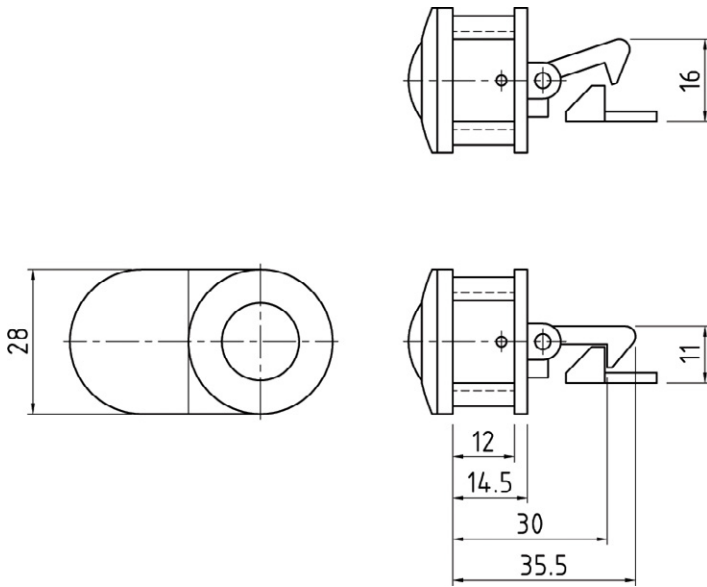
APPLICATION:

Yachts, caravan, mobile homes, floating houses, etc.



FINISH	PART NUMBER
Nickel plated	C-N5100Z
Black nickel plated	C-BN5100Z
Matte nickel plated	C-MN5100Z

PUSH HANDLE KNOB

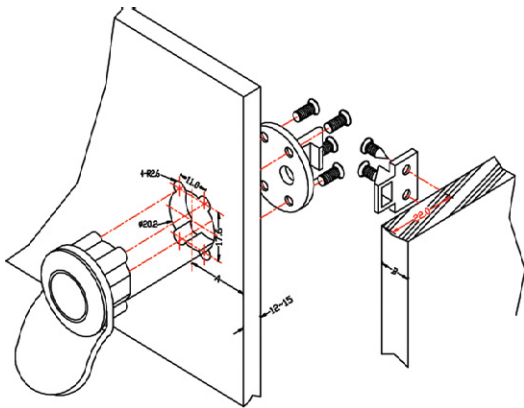


FUNCTION:

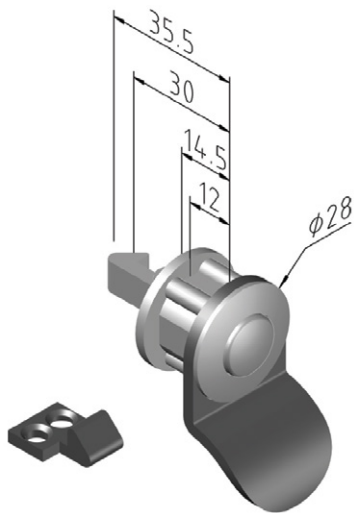
Close the cabinet door/drawer to lock automatically, Hold the soft plastic handle and thumb down withdraw the knob to the door or drawer

MATERIAL:

Zinc alloy knob, Soft plastic handle



$$A = B + 8.5$$

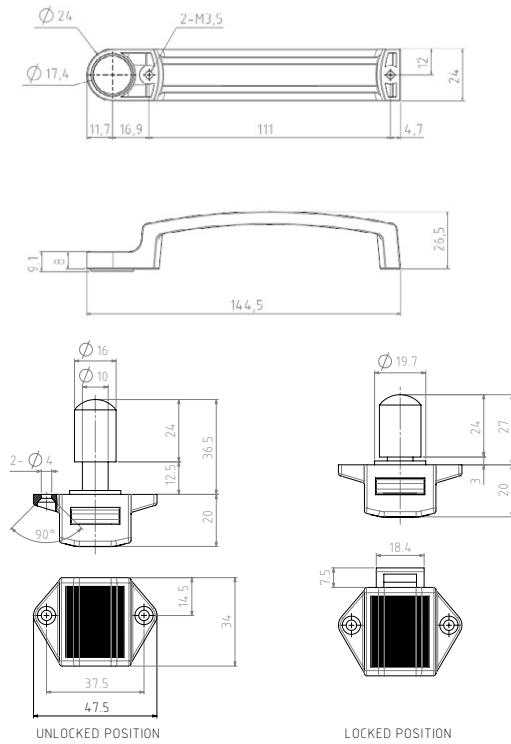


FINISH	PART NUMBER
Nickel plated	C-N5100Z-1
Black nickel plated	C-BN5100Z-1

HANDLE

MATERIAL & FINISH:

Housing Zinc die
Surface Silver pale galvanised



Description	PART NUMBER
Handle	01598T75599
Push Button	01598T75699
Push button lock cover	01595T56081

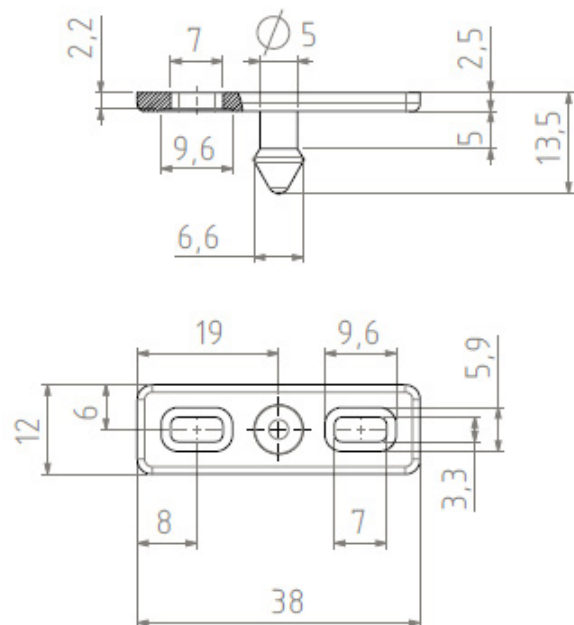
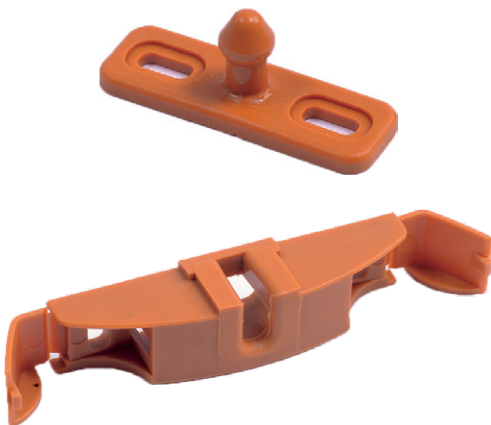
FURNITURE CATCH

MATERIAL:

Plastic

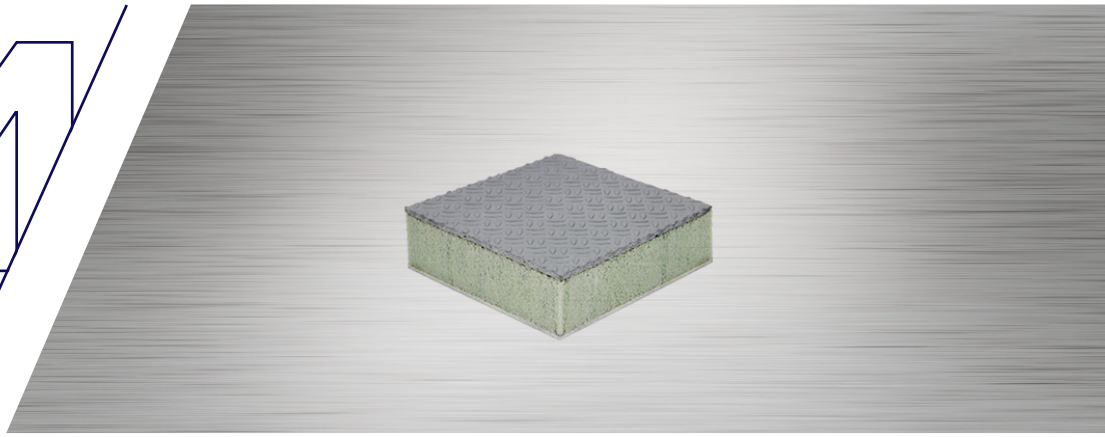
COLOUR:

Brown



Description	PART NUMBER
Male part	01597T08199
Female part	01597T08099

24



SECTION TWENTY FOUR

[24-1 ECOFONT](#)

[24-2 ECOFLOOR](#)

ECOFONT

COMPOSITION

(from outside to inside):

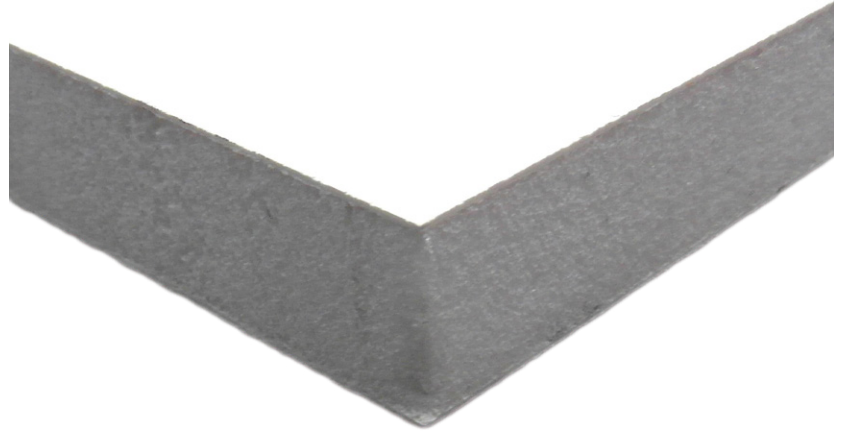
- Gelcoat RAL 9010
- Glass Reinforced Polyester
- High density PET recyclable foam
- Glass Reinforced Polyester
- White Gelcoat

APPLICATIONS:

- Industrial bodywork, LUV, mobile shops, bus
- Containers
- Advertising
- Food industry, cold chambers, cladding
- Building industry, partition walls, ceilings

OPTIONS:

- Color gelcoat on outside face
 - Adhesive protection foil
 - Dimensions on request
 - Reinforced construction (x)
 - Placing of inserts on request
-
- Maximum width 2400 mm
 - Maximum length 11900 mm



THICKNESSES	WEIGHT	GLASS WEIGHT	K VALUE	PART NUMBER
12 mm	5.1 kg/m ²	1300 g/m ²		EFO12S
14 mm	4.6 kg/m ²	1400 g/m ²	2.6 W/m ² -°C	EFO14S
17 mm	4.9 kg/m ²	1400 g/m ²	2.14 W/m ² -°C	EFO17S
20 mm	5.1 kg/m ²	1400 g/m ²	1.79 W/m ² -°C	EFO20S
25 mm	5.5 kg/m ²	1400 g/m ²	1.4 W/m ² -°C	EFO25S
30 mm	5.9 kg/m ²	1400 g/m ²	1.28 W/m ² -°C	EFO30S
50 mm	7.6 kg/m ²	1400 g/m ²	0.61 W/m ² -°C	EFO50S



ECOFLOOR

CONNECTION TO CHASSIS:

Bonded to the longitudinal runners or to a metal profile which will allow the height necessary to clear the wheel arches.

APPLICATIONS:

- Industrial bodywork, floors of dry and insulated bodies, bus
- Catering containers
- Food industry, cold chambers
- Building, gangways, balconies

TEST AND SAFETY:

- The load capacity of all our floors have been verified on a factory built test bed.
- It consists of a manual pallet loader carrying a weight of between 500-1000 kgs. It is monitored by an automatic motor that will roll the load up and down the floor which can achieve 30,000 cycles per week.
- We consider that a floor has passed the test successfully if, after 60,000 cycles, the floor shows no visible or internal damage.

- Core material PET HD foam
- Self supporting
- Maximum width 2400 mm
- Maximum length 11900 mm
- Glass weight 2600 g/m²

THICKNESSES	WEIGHT	K VALUE	MAXIMUM LOAD ACCEPTED	PART NUMBER
32 mm	11.1 Kgs/m ² (+/-10%)	1.05 W/m ² -°C	500Kg/m ²	EFL32F
42 mm	12.1 Kgs/m ² (+/-10%)	0.77 W/m ² -°C	750Kg/m ²	EFL42F