

Armony-Plus & Base-Plus

(Full Cassette Folding Arm Awnings
from B A T Italy)

The **ARMONY PLUS** Folding Arm series has a Tipping system and New Designed Front Bar that enables a perfect seal of the cassette when it is closed. This provides protection for both the fabric and the components from the elements.

The standard colour for **ARMONY PLUS** is White, but other personally selected powder coat colours are available, at an extra cost.

A Hood is available to prevent water and debris accumulating behind the cassette.

ARMONY PLUS can be built as small as 2080mm wide, with a projection of 1600mm. The largest **ARMONY PLUS** will span some 7 metres in width with a maximum projection of 3600mm.

Manual gear-box operation is the standard for the **ARMONY PLUS**, but most clients prefer the motorized option with a remote control, or wall switch.

With a range of arm sizes (1600mm, 1850mm, 2100mm, 2350mm, 2600mm, 2850mm, 3100mm and 3600mm) the **ARMONY PLUS** full cassette model combines classic lines with functionality, to provide the ultimate in sun-protection.

The pitch adjustment on the **ARMONY** models is set at installation and is usually some 15° off the horizontal. Flat installations are NOT recommended.



Armony Plus Hood



BASE-PLUS Folding Arm models is a fully enclosed cassette system as is the Armony Plus models.

The distinguishing features of the **BASE-PLUS** models are the projection, which extends to 3100mm, and the fact the **BASE-PLUS** models are fixed to the wall or ceiling using the brackets at each end of the cassette.

The **BASE-PLUS** is available in standard White or other, personalized powder coat colours are available at extra cost.

The **BASE-PLUS** models are available with either manual gear-box operation, or motorized, to be run using a remote control, or wall switch. A number of sensors are also available when the awning is motorized, to help protect your investment.

The **BASE-PLUS** can be built as small as 1910mm wide, with a 1600mm projection. The largest **BASE-PLUS** models extend to 5000mm wide, with a projection of 3100mm. There is a range of arm sizes available - 1600mm, 1850mm, 2100mm, 3500mm, 2600mm, 2850mm and 3100mm.

The neat, slim lines of the closed cassette provide ultimate protection of the awning and the components, including the fabric. The pitch of the awning is adjustable at the time of installation. Usually, the awning is installed at 15° off the horizontal. Flat installations are NOT recommended.

Palladio – Semi Cassette Awning from B A T Italy

The PALLADIO, is the latest generation of Folding Arm Awnings from Italy, featuring the unique cassette style storage for the fabric, and the clever use of a deep front bar, gives the appearance and function of a full cassette awning, but not the price.

The use of a 40mm square steel section offers a rigid mounting base for Palladio. The full depth of the hood fits snugly against the wall and does not allow debris etc to collect at the back of the awning. The styled hood adds a further quality look to the awning.

Viewed from across the street, or from your front gate, the PALLADIO appears to offer the self same benefits offered in Full Cassette model folding arm awnings. The difference is revealed, only when standing direct beneath the awning where the colour matched powder-coated arms are visible, BUT the fabric remains secure and out of sight in the separate cassette module.

The PALLADIO is offered in a White powder-coated finish, and other colours are available at extra cost. In this way PALLADIO can be matched to your décor, thus enabling it to un-obtrusively add the sun-protection you desire from such a quality awning.

The PALLADIO can be manufactured as small as 2010mm, with a 1600mm projection. On the other hand, the maximum size for PALLADIO is 7 metres wide with a projection of 3600mm.

The standard PALLADIO model is driven by a manual gear-box, and it is highly recommended that any PALLADIO over 6 metres in width should be motorized.

The arm brackets on the PALLADIO model are spanner adjustable to enable the pitch of the awning to be varied. It is recommended each arm be adjusted by relatively small increments (200mm - 300mm), with all arms being adjusted in rotation. The front bar should always be supported when the pitch is being changed.



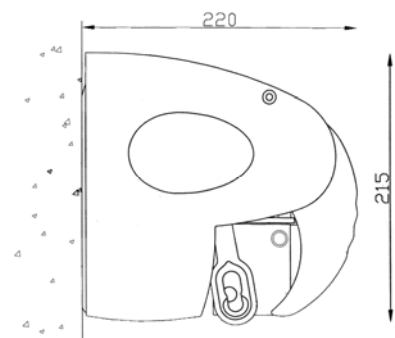
The Palladio Semi Cassette Model



The Lower Front View of Palladio



The deep front section of the Front Bar
A valance can be fitted if required.



An end section view of Palladio



www.globalawnings.com

Coolabah Shades
PO Box 177
Moorabbin, 3189
Tel: 03 9078 4533

www.coolabahshades.com.au
info@coolabahshades.com.au

