



HOME ELEVATOR

The pinnacle of
German Engineering & Italian Design



engineering. tomorrow. together.

German Engineering

from a world-class elevator company with designs that will blow your mind.

Transform the vision that everyone has for their own home into reality.

Experience the freedom of accessibility at its best.



Experience the best of German Engineering & Italian Design with an extensive range of sophisticated, elegant and stylish options. Discover the perfect combination of colors, materials and options to ensure a perfect fit for your home.

From our world-class elevator technology we have developed the best possible solution for a home lift which offers numerous configurations and a range of platform sizes for almost every requirement.

Altura utilizes the best-available home lift technology, offering a solution which is extremely energy efficient and is quieter than a silent room. Combine this with our thorough approach to Engineering and our love for Italian Design and you will find a solution which is environmental friendly, unobtrusive and will integrate beautifully with your home. As for all of our home lifts, safety and comfort are the pillars of our design and they are delivered from our German heritage.



"The Altura is thyssenkrupp's most versatile homelift"

Yours sincerely,

Dirk Marschall, CEO



Pinnacle of Home Opulence

Altura incorporates innovative patented cog belt technology. The gearless drive system can offer unbelievable comfort and performance.

A truly global Home lift for superior performance, with speed up to 0.4 m/s depending on local codes and Standards relevant to the market.

Excellent materials and finishes, you can Trust our designers choice for stylish combinations or feel free to design your own. Altura can be customized in every detail and dimensions perfectly matching your home decor.



Performance With Style

Through our expertise in engineering, we have developed a high-quality gearless home lift.

The result is a high-performance addition to your home that you hardly hear even when you put your ear right next to it. Add to it our beautiful cabin styles and options, and you've got the perfect home lift.

Comfort

We believe traveling between floors in your home shouldn't be a difficult or an uncomfortable experience.

Taking advantage of the gearless technology found in the Altura enables us to deliver a smooth and a quiet journey from start to finish. In addition, all of thyssenkrupp's home lifts come fitted with its extragentle soft-start/stop technology.

Each lift is fitted with a handrail and push to run buttons making the journey as seamless and safe as possible.

Safety is in our DNA

The Altura home lift boasts an extensive list of safety features; As standard it carries a SIL3 certified safety system making it the first in the home lift market.

Unlike some home lifts, we have a separate safety system, away from the OSG, which means it will not be affected by mechanical faults. Unlike some homelifts our OSG system is separated from the main drive.



Your safety is our priority

In case of a power failure, it will continue to work from a battery, allowing the user to reach the ground floor safely. It is also possible to connect fire alarm systems to the main electronic board.

ALTURA WITH SHAFT



This option comes with its own patented metal structure, does not require any side walls or even any supporting structure.

This option is ideal in case of an existing structure already constructed with Concrete/ Brick or Local metal fabrication.



ALTURA WITHOUT SHAFT



H300 Specification

Superior Performance with style.

Incorporates innovative Gearless Cogbelt technology.

Luxurious with an Unbelievable smooth and silent ride.



Technical compliance	Machine Directive 2006/42/EC EN81-41/SIL 3
----------------------	--

Drive system	Gearless with cogbelt drive
--------------	-----------------------------

Rated speed	0.15 m/s up to 0.4 m/s
-------------	------------------------

Rated load	Up to 400 kg
------------	--------------

Travel height	Up to 18,000 mm
---------------	-----------------

Number of stops	Max. 6 stops per lift
-----------------	-----------------------

Number of doors	Max. 12 doors per lift
-----------------	------------------------

Pit	140 mm (no pit is required in case of threshold/ramp)
-----	---

Shaft top height	2500 mm in existing shaft / 2600 mm with its own shaft
------------------	--

Platform control	Automatic (one-touch) with call reservation
------------------	---

Environment	Indoor / Outdoor
-------------	------------------

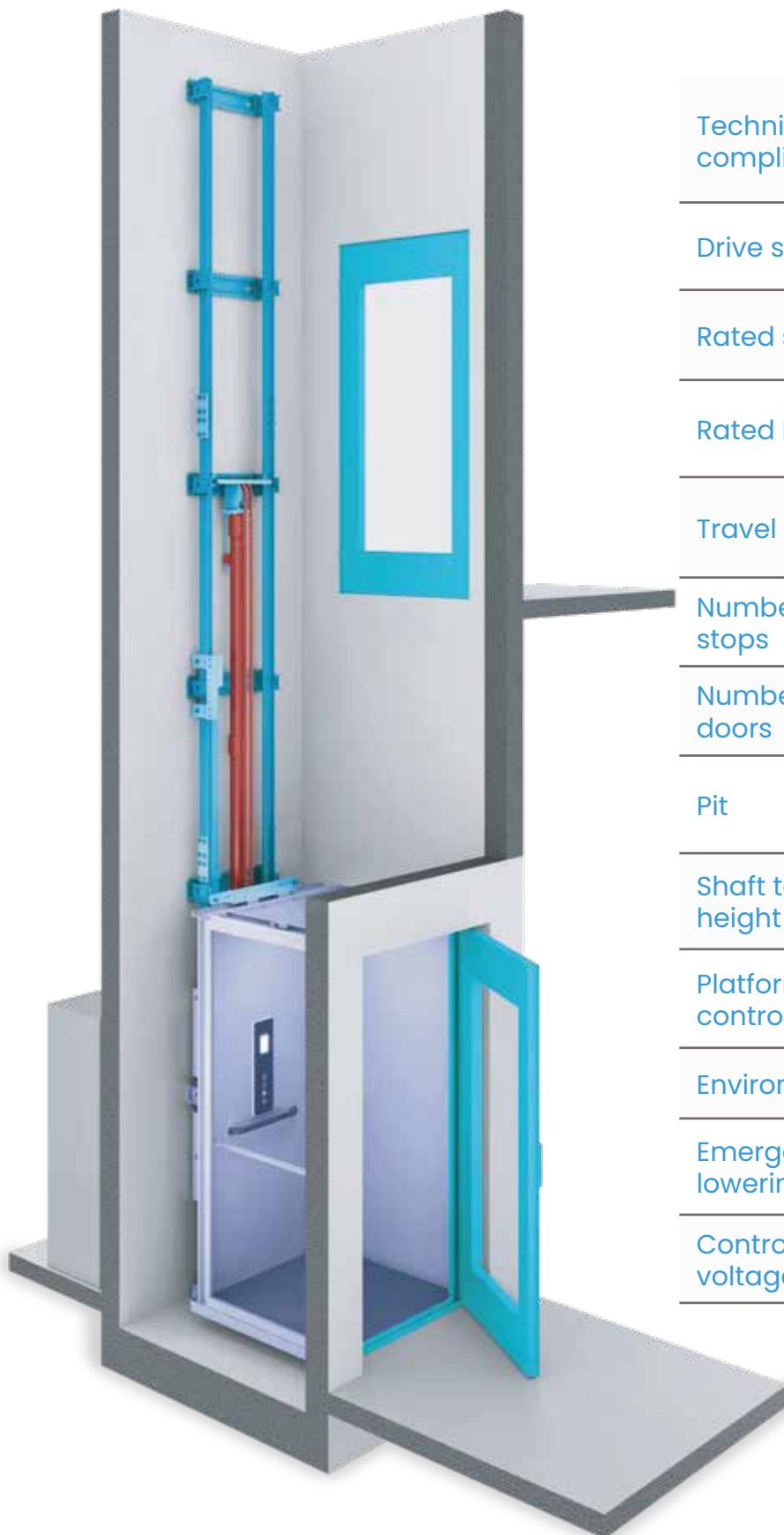
Emergency lowering	Battery operated emergency lowering
--------------------	-------------------------------------

Control voltage	24V
-----------------	-----



H200 Specification

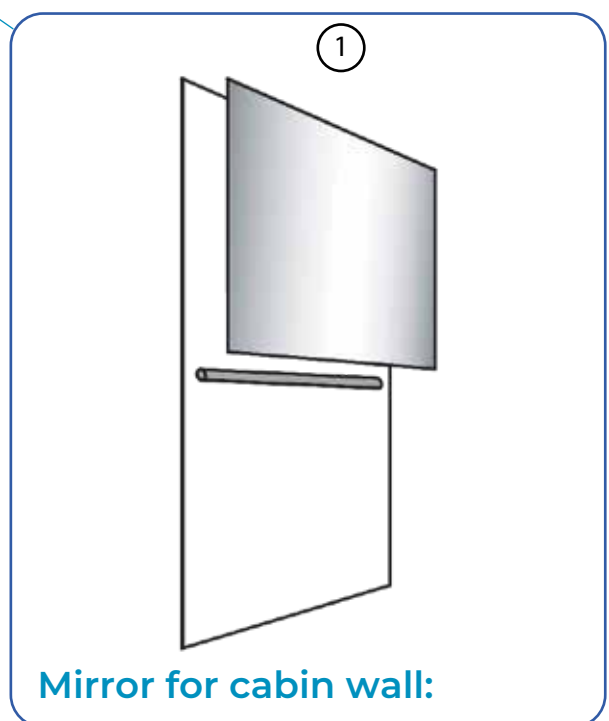
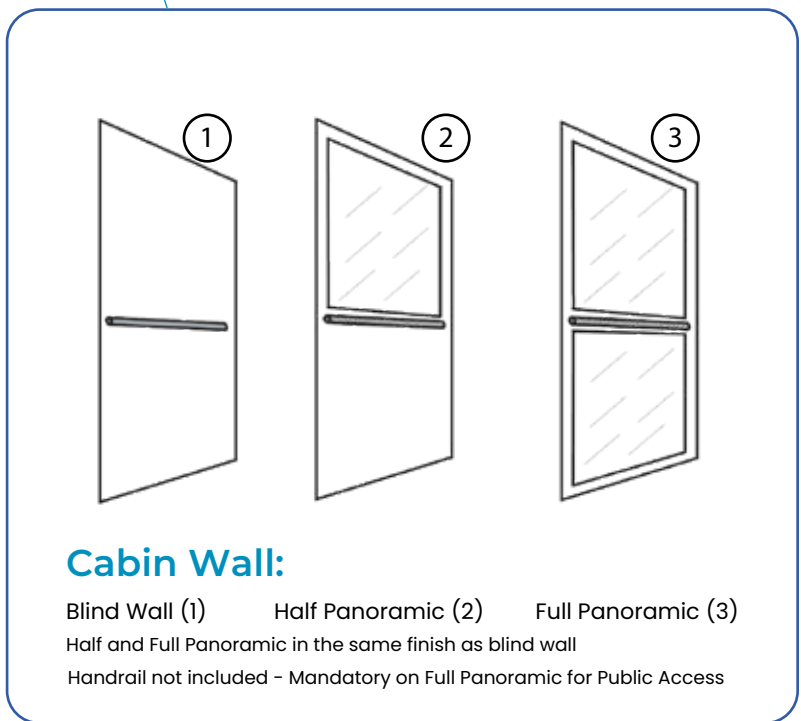
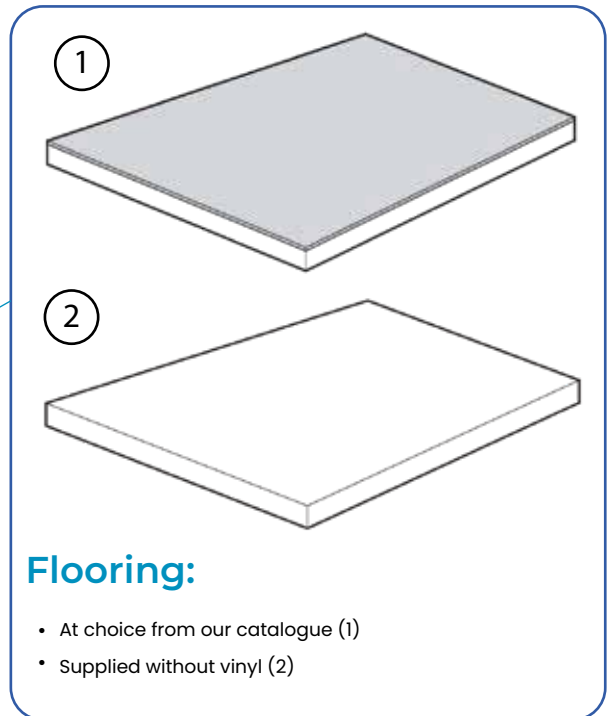
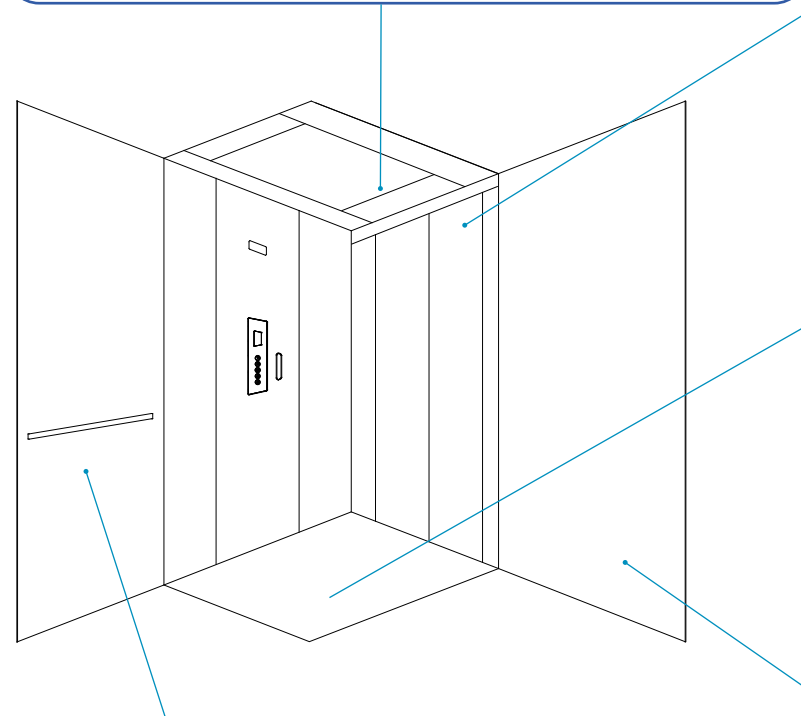
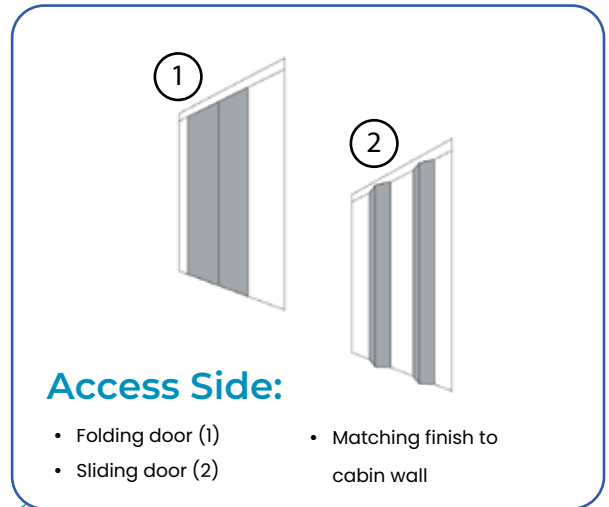
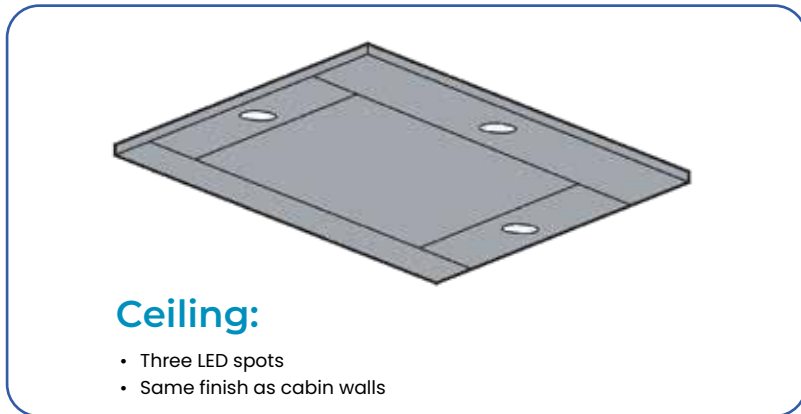
The H200 Incorporates Proven and Reliable Hydraulic Technology and Offers Comfort and Performance



Technical compliance	European Machine directive 2006/42/EC Reference standard: EN 81-41/SIL 3
Drive system	Hydraulic control unit with indirect action by chains
Rated speed	0.15 m/s up to 0.3 m/s
Rated load	Up to 400 kg
Travel height	Up to 14,900 mm
Number of stops	Max. 6 stops per lift
Number of doors	Max. 12 doors per lift
Pit	120 mm (no pit is required when there is a threshold/ramp)
Shaft top height	Standard 2300 mm depending on shaft type and landing doors.
Platform control	Automatic (one-touch) with call reservation
Environment	Indoor / Outdoor
Emergency lowering	Battery operated emergency lowering
Control voltage	24V



Standard Cabin - Layout



Standard Cabin - Finishes

Flooring - FOR BOTH CABIN AND FULL PANEL WITH CEILING

Choose between the following options for safety vinyl flooring with guaranteed life time non-slip.



White Vinyl



Sand Vinyl



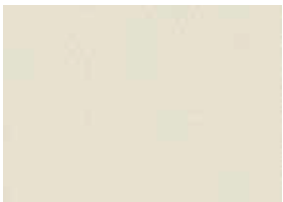
Grey Vinyl

Choose to have your lift delivered without flooring, if you want to apply your own. Max 3 mm flooring for flush top alignment.

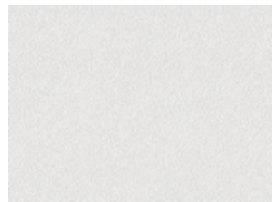
Cabin Wall

RAL Colour suggested for painted parts to match with the pre-coated steel.

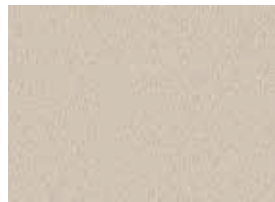
PRE-COATED STEEL - PLAIN



A4 - RAL9010 (standard)



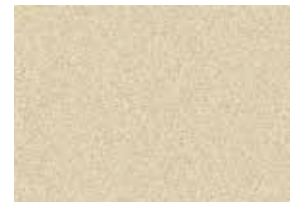
A1 - RAL9003



A13 - RAL1013



B13 - RAL5024



G1 - RAL1015



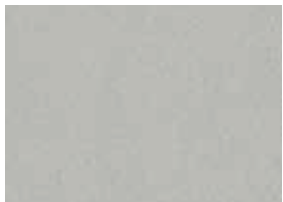
N1 - RAL7035



PPS - Metal Like - RAL7037

RAL PAINT OF CHOICE
- FOR BOTH CABIN AND FULL PANEL WITH CEILING

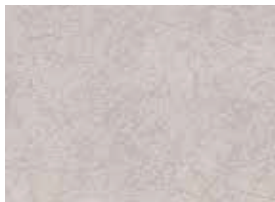
PRE-COATED STEEL - PPS



PPS1 - RAL 7035



PPS10 - RAL 9003



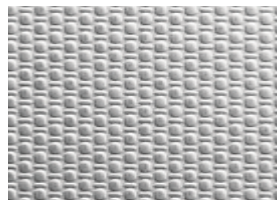
PPS11 - RAL 1013



STAINLESS STEEL



*Stainless Steel Satin



*Stainless Steel Linen (Scratch resistant finish)

Real colours and layout may differ from those shown. Slight noticeable differences are possible because of different materials. Contents subject to change without notice

Basic cabin: Standard & Optional Upgrades

CABIN INTERIOR - STANDARD

Wall - PPS Colours Standard
Ceiling - 3 LED Spot Lights
Hand Rail - Black on Side G
COP - Black with TFT Colour Display, Landing
Indicator and Voice Announcer
Key Switch
Telephone
Upto 900 mm - Finished in Skinplate
Floor - Vinyl / Prepared for Customer Own (3mm)

*CABIN INTERIOR - OPTIONS

Cabin Interior - Options
Wall - RAL Colour / SS Satin / SS Linen
Cabin External Wall Cladding in Natural
Aluminum Per Side
Cabin Roof Cladding in Natural Aluminum
(Except Hatch Area)
Half / Full Panoramic Wall
Half Mirror
Fold Down Seat - Plexiglass
Hand Rail - SS Satin on Side G, A, B, C
Ventilation Fan in Ceiling
i-Button in COP insted of Key switch
Autodialer / Autodialer + GSM
Fire Alarm System Integration - Compatibility

*OTHER - OPTIONS

Power Pack Extention Upto 10 meters
Customized plan Size out of Standards
Oil Heater for temperature <+5 Degree Celsius
LCD Landing Display
Landing Door Key - Includes School Locking Function

CABIN SLIDING DOOR - STANDARD

Upto 900 mm - Finished in Skinplate
(A4 - RAL9010, A1 - RAL9003, A13 - RAL1013,
B13 - RAL5024, G1 - RAL1015, N1 - RAL7035)

SLIDING LANDING DOOR - STANDARD

Upto 900 mm - Finished in Skinplate
(A1 - RAL9003, A13 - RAL1013, B13 - RAL5024,
G1 - RAL1015, N1 - RAL7035)
Upto 900 mm - Finished in RAL 7032

SWING LANDING DOOR - STANDARD

Steel blind - Painted in RAL 9010
SS Door Handle - Techno

*CABIN SLIDING DOOR - OPTIONS

Blind - SS Satin, RAL, Special RAL
Panoramic - Finished in SS Satin

*SLIDING LANDING DOOR - OPTIONS

Blind - SS Satin , RAL , RAL Metallic
Panoramic - SS Satin , RAL , RAL Metallic

*SWING LANDING DOOR - OPTIONS

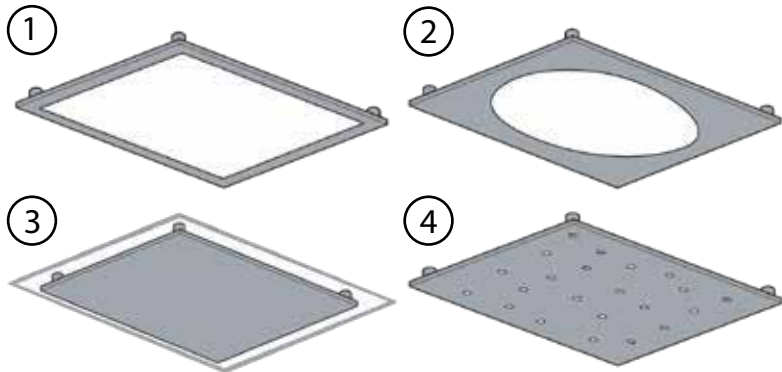
Panoramic Glass on Door (Smokey Grey, Opaline,
Smokey Satin, Half Reflecting)

RAL STD Colour & Metallic
SS Door Handle - Modern
Automatic EVO Door Opener and Closer
i-Button - includes School Locking Function

*Optional Upgrade Package

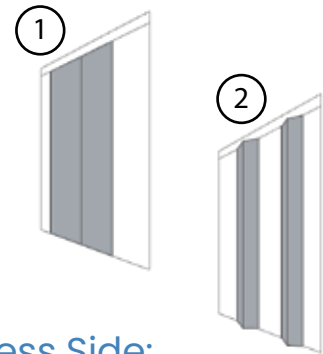


Elegance Cabin - Layout



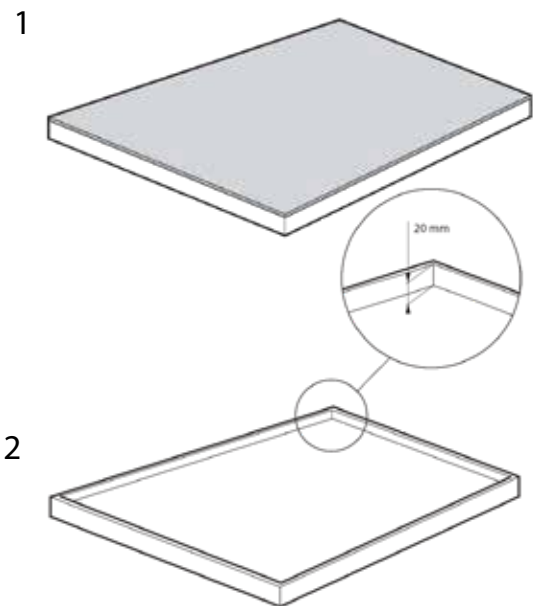
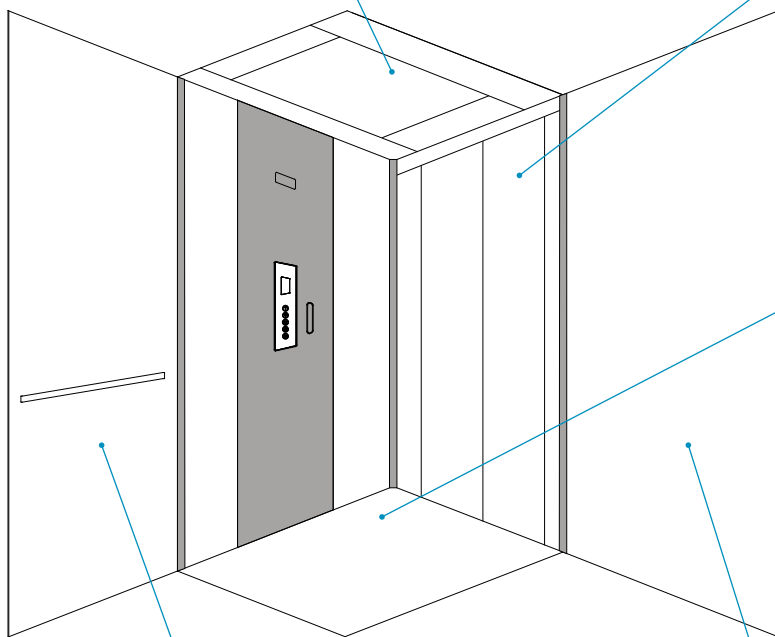
Suspended ceiling:

- Opal (1)
- Round (2)
- Plain steel (3)
- Starry sky - Stainless Steel (4)



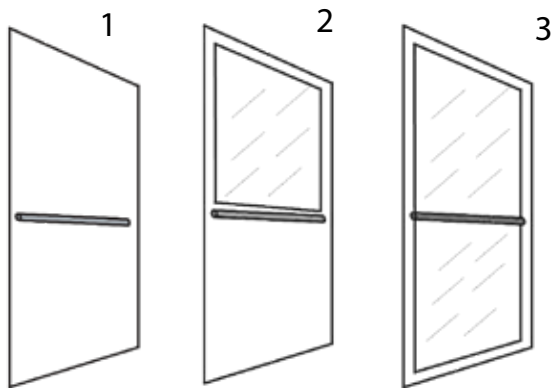
Access Side:

- Folding door (1)
- Sliding door (2)
- Matching finish to cabin wall



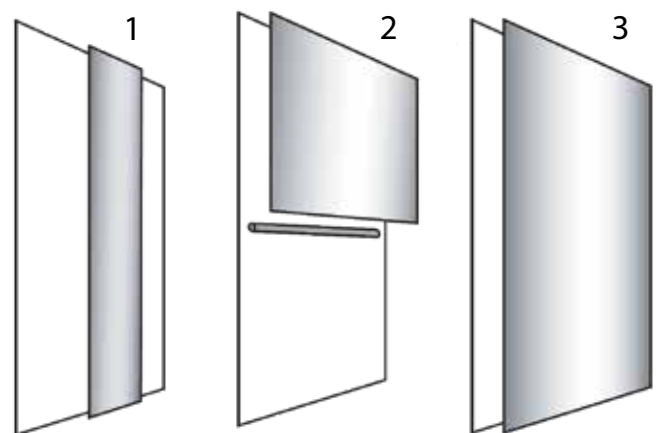
Flooring:

- At choice from our catalogue (1)
- Prepared for Customer application (2)



Cabin Wall:

Blind Wall (1) Half Panoramic (2) Full Panoramic (3) Half and Full Panoramic in the same finish as blind wall
Handrail not included - Mandatory on Full Panoramic for Public Access solutions



Mirror for cabin wall:

- Slat vertical - Fixed (1)
- Dimensions (1)
- Half wall (2)
- Full wall (3)

Elegance Cabin - Finishes

Cabin Wall

LAMINATE - WOOD



Dark wood 4303



Bright wood 4367



Bright wood 4515



Bright wood 4533



Warm wood 4511

LAMINATE - TEXTURE



Tx 2606



Tx 3318



Tx 4485

STAINLESS STEEL



Stainless Steel Satin



Stainless Steel Mirror

LAMINATE - CONCRETE



Cr 868



Cr 585

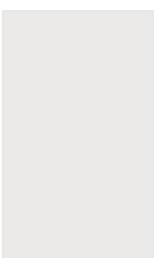


Cr 3331

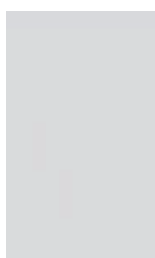


Cr 546 (former Cr 1117)

ACCENT - CORNERS AND CENTRAL PANEL



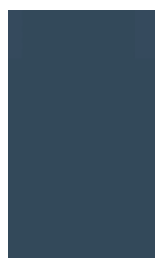
9003



7035



7012



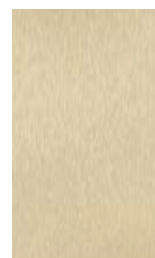
7021



Satin



Mirror



Gold



1019



3003



6011



5024

Real colours and layout may differ from those shown. Slight noticeable differences are possible because of different materials. Contents subject to change without notice.

Elegance - Finishes

Flooring

Choose between the following options for safety vinyl flooring with guaranteed lifetime non-slip.

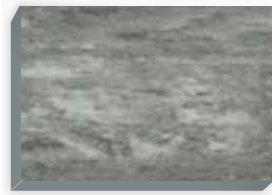
VINYL



White



Sand



Grey

*STONES



White



Sand



Grey

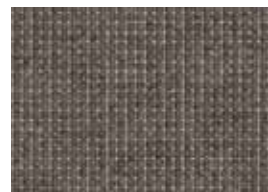


Black

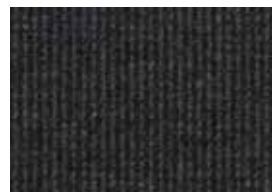
*CARPETS



White



Sand



Grey

Ceiling

Elegance cabin is always provided with a counterceiling with LED light. Choose between the following options:

① Opal (standard)

② *Plain

③ *Round

④ *Starry Sky



Starry sky is stainless steel satin. The other ceilings are in RAL9010 (white) painted steel. As option can be ordered in Stainless Steel Satin

Elegance Cabin - Optional Upgrades

CABIN INTERIOR - STANDARD

Centre Panel & Corners - RAL / SS Satin
Cabin Walls - SS (Satin / Mirror) Wood laminates
Ceiling - Opal with RAL 9010
Floor - Vinyl (Black, White, Sand)
COP - Black with i-Button
Autodialer
1 No. SS Hand Rail

ELEGANCE CABIN INTERIOR - OPTIONS

Centre Panel & Corners - RAL , SS (Mirror/ Gold)
Ceiling - Round / Plain Steel (RAL 9010), Starry Sky
Floor - Carpet, Stone, Own Flooring
Full / Half Mirror Height & Slim Vertical
Full / Half Panoramic Wall
Handrail SS - Satin /Gold Satin
COP - Mirror / Gold
External Coating - SS Cabin Per Wall, Door & Roof
Autodialer + GSM
Integration with building Fire Alarm

OTHER - OPTIONS

Power Pack Extention upto 10 meters
Customized plan Size out of Standards
Oil Heater for temperature <+5 Degree Celsius
LCD Landing Display
Landing Door Key - Includes School Locking Function
i-Button - includes School Locking Function

CABIN SLIDING DOOR - STANDARD

Upto 900 mm - Finished in RAL
(RAL 1013, RAL 1015, RAL 5024, RAL 7001, RAL 7016
RAL 7021, RAL 7035, RAL 7037, RAL 8017, RAL 9001,
RAL 9003, RAL 9005, RAL 9010, RAL 9016)
Upto 900 mm - Finished in SS Satin

SLIDING LANDING DOOR - STANDARD

Upto 900 mm - Finished in Skinplate
(A4 - RAL9010, A1 - RAL9003, A13 - RAL1013,
B13 - RAL5024, G1 - RAL1015, N1 - RAL7035)
Upto 900 mm - Finished in RAL 7032

SWING LANDING DOOR - STANDARD

Steel blind - Painted in RAL 9010
SS Door Handle - Techno

CABIN SLIDING DOOR - OPTIONS

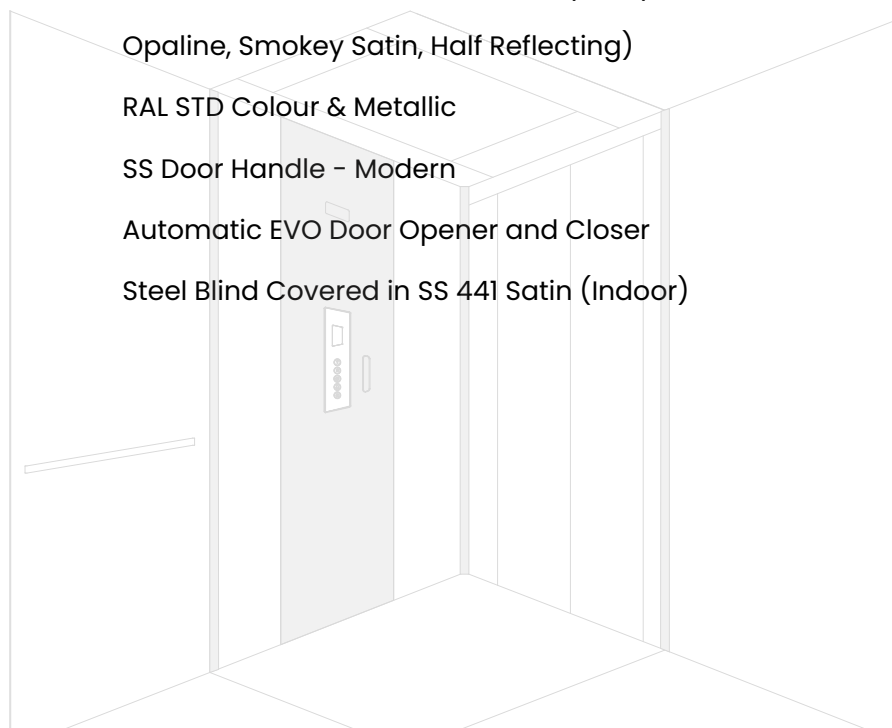
Panoramic - Finished in SS Satin

SLIDING LANDING DOOR - OPTIONS

Finished in - SS Satin , RAL , RAL Metallic

SWING LANDING DOOR - OPTIONS

Panoramic Glass on Door (Smokey Grey,
Opaline, Smokey Satin, Half Reflecting)
RAL STD Colour & Metallic
SS Door Handle - Modern
Automatic EVO Door Opener and Closer
Steel Blind Covered in SS 441 Satin (Indoor)



Shaft Structure

No rivets, no silicon weatherproof and suitable for seismic conditions(*)

H200 can be delivered with its own Patented metallic shaft.

The required headroom for the shaft structure (distance from top floor to top of shaft) depends on the type of top roof and landing doors. This includes a free height of 30mm between metal shaft roof and building for installation purpose. Elongation of the shaft is possible.

All the four sides will be clad by the shaft panels in steel or glass, provided with a special gasket for water management. Also available essential panels to be mounted with silicon. It is highly recommended to use panels with gasket for outdoor installation. It is highly recommended to use steel panel on side G.

The lowest and the top panels on the guide side are always provided with a round axial aerator.

Typical Required Headroom with standard cabin.
Please refer to "Feasibility information" section for further details

Model	Cabin without Doors	Cabin Folding Doors	Cabin Sliding Doors
H200 in concrete shaft	2300 mm	2320 mm	2450 mm / 2500 mm
H200 metal shaft header diagonals	2450 mm	2450 mm	2590 mm
H200 metal shaft flat roof - indoor	2470 mm	2470 mm	2610 mm
H200 metal shaft inclined roof outdoor	2490 mm	2490 mm	2630 mm

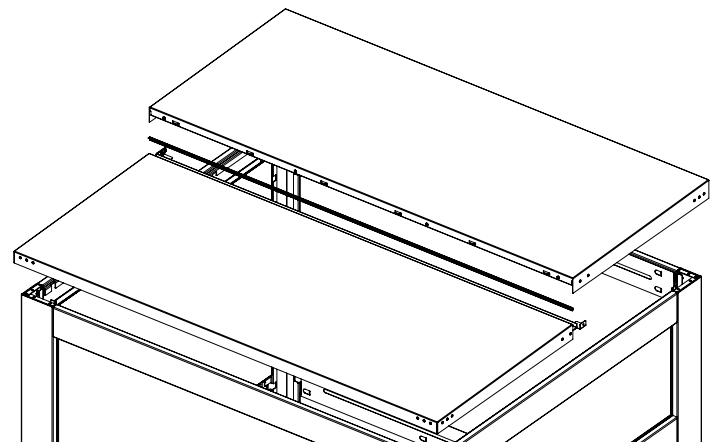
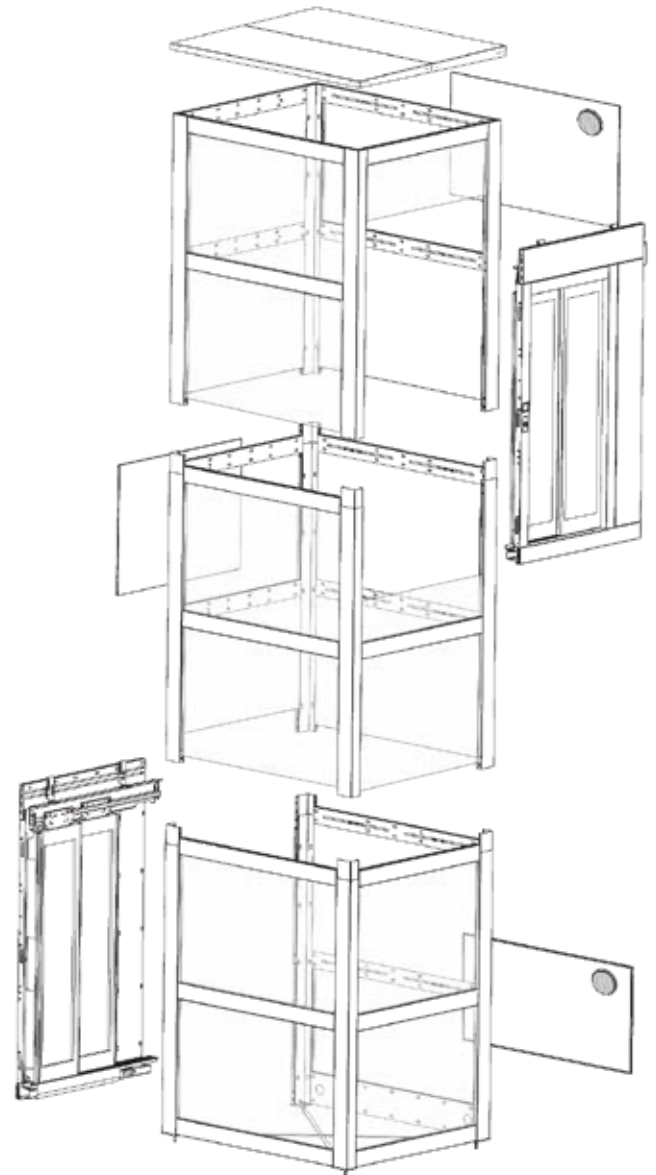
(*) According to Eurocode, Seismic verification shall be checked with specific calculations and definition of fixing points for the specific unit.

Shaft ceiling type

- Header diagonal
- Flat roof 1 or 2 pieces, depending on dimensions
- Inclined roof 1 or 2 pieces, depending on dimensions

Ramp

If the lift is installed without a pit, a ramp is mandatory according to EN81-41. Please check compliance to local regulations. Usually a boardwalk with low incline is executed at the building site. Optionally we can provide a ramp 120 mm high and 1000 mm long, made of aluminium and prevents slipping.



Elegance Cabin - Designer's choice



1 Modern Europe

Wall: Bright Wood 4515
 Accent: Black 7021
 Ceiling: Round
 Flooring: Grey Vinyl
 Mirror: none
 Handrail: S.Steel 2 pieces (for 1400 wide cabin only)



2 Modern Americas

Wall: Concrete 3331
 Accent: Blue 5024
 Ceiling: Plain
 Flooring: Grey Vinyl
 Mirror: Slat vertical
 Handrail: S.Steel 2 pieces (for 1400 wide cabin only)



3 Modern Asia

Wall: Texture 2606
 Accent: Red 3003
 Ceiling: Opal
 Flooring: Grey Vinyl
 Mirror: none
 Handrail: S.Steel 2 pieces (for 1400 wide cabin only)



1 Classic Europe

Wall: Cool Wood 4511
 Accent: Beige 1019
 Ceiling: Plain
 Flooring: Sand Carpet
 Mirror: Full Wall
 Handrail: S.Steel 2 pieces (for 1400 wide cabin only)



2 Classic Americas

Wall: Texture 3318
 Accent: Light Grey 7035
 Ceiling: Plain
 Flooring: Grey Vinyl
 Full Height Panoramic wall
 Handrail: S.Steel 1 piece onto panoramic wall



3 Classic Asia

Wall: Dark Wood 4303
 Accent: Red 3003
 Ceiling: Plain
 Flooring: Grey Vinyl
 Mirror: Half Wall
 Handrail: S.Steel 2 pieces (for 1400 wide cabin only)



1 Natural Europe

Wall: Warm Wood 4533
 Accent: Green 6011
 Ceiling: Plain
 Flooring: Grey Carpet
 Mirror: none
 Handrail: S.Steel 2 pieces (for 1400 wide cabin only)



2 Natural Americas

Wall: Texture 4485
 Accent: Dark Grey 7012
 Ceiling: Plain
 Flooring: Sand Carpet
 Mirror: none
 Handrail: S.Steel 2 pieces (for 1400 wide cabin only)



3 Natural Asia

Wall: Bright Wood 4367
 Accent: Green 6011
 Ceiling: Plain
 Flooring: Grey Carpet
 Mirror: none
 Handrail: S.Steel 2 pieces (for 1400 wide cabin only)



1 Modern International

Wall: Texture 868
 Accent: Steel Mirror
 Ceiling: Plain
 Flooring: White Stone
 Mirror: none
 Handrail: S.Steel 2 pieces (for 1400 wide cabin only)



2 Natural International

Wall: Concrete 585
 Accent: Dark Grey 7012
 Ceiling: Plain
 Flooring: White Carpet
 Mirror: none
 Handrail: S.Steel 2 pieces (for 1400 wide cabin only)



3 Classic International

Wall: Concrete 1117
 Accent: Steel Gold
 Ceiling: Plain
 Flooring: Sand Stone
 Mirror: none
 Handrail: S.Steel 2 pieces (for 1400 wide cabin only)



H100 Specification

Easy all-in-one home lift solution, based on Spindle technology. Effortlessly integrates into your home.



Technical compliance	European Machine directive 2006/42/EC European standard EN 81-41
Drive system	Screw/nut system
Rated speed	Max. 0.15 m/s
Rated load	Up to 400 kg
Travel height	Up to 12,000 mm
Number of stops	Max. 6 stops per lift
Number of doors	Max. 12 doors per lift
Pit	50 mm (no pit is required in case of threshold/ramp)
Shaft top height	Standard 2430mm (elongation is possible)
Platform control	“Hold to run”, the destination button must be kept pressed down during the whole ride
Environment	Indoor
Emergency lowering	Battery operated emergency lowering
Control voltage	24V

Standard Cabin - Finishes

Platform wall colours.



Cabin flooring.



Cabin doors



The H100 is available with three door types: Blind (left), Panoramic Mobility (middle) and Panoramic Compact (right).

Folding seat



The fold-down seat is available in solid, transparent plexiglass and with chromed brackets.
Size: 300 x 420mm

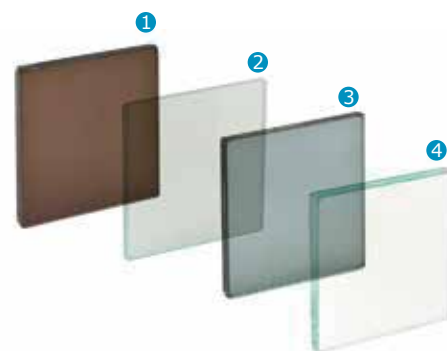
Handrail



The H100 comes with a black handrail as standard. As an option, you can choose to have a stainless steel handrail.

Shaft and Control Station

The lift is always delivered with a metallic shaft. The top height of the shaft (distance from top floor to top of shaft) is always 2430 mm. Elongation of the shaft is possible. Please allow a free height of min. 20 mm from the ceiling of the building to allow for installation. The lift always has to be installed against a load bearing wall. The machine side is not cladded. For all sides, except for the machine side, you can choose to have shaft panels in steel or glass.



As an option, glass panels with laminated and toughened glass can be ordered. Different types of glass are available:

1. Transparent
2. Smokey Grey
3. Smokey Satin
4. Opaline
5. Half Reflecting.

The glass panels are 8/9 mm thick. The glass panels are fitted in aluminium profiles. As an option, the profiles can be delivered RAL painted.

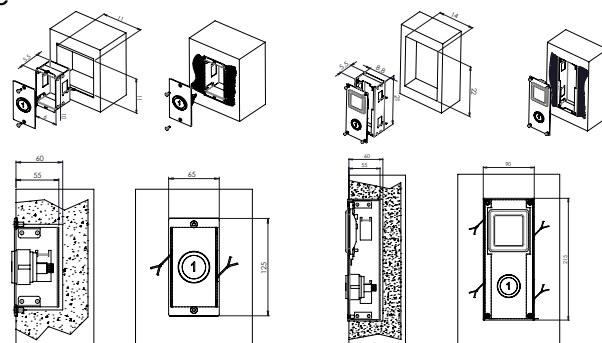


Inner ceiling

The lift always comes with an inner ceiling, painted in the same colour as the shaft walls. Standard is RAL 9010 (white). If the shaft is painted in another RAL colour, the inner ceiling is painted in the same colour.

Shaft panels

Standard is 30 mm thick shaft panels with polyurethane and steel plate. The panels have a classified fire resistance of Bs2d0. The panels have a RAL 9010 finish (white) as standard. If painted in another colour, the shaft structure will be painted in the same colour. The standard height of the shaft panels is 1000 mm.



Cable or Radio control station – placed away from lift

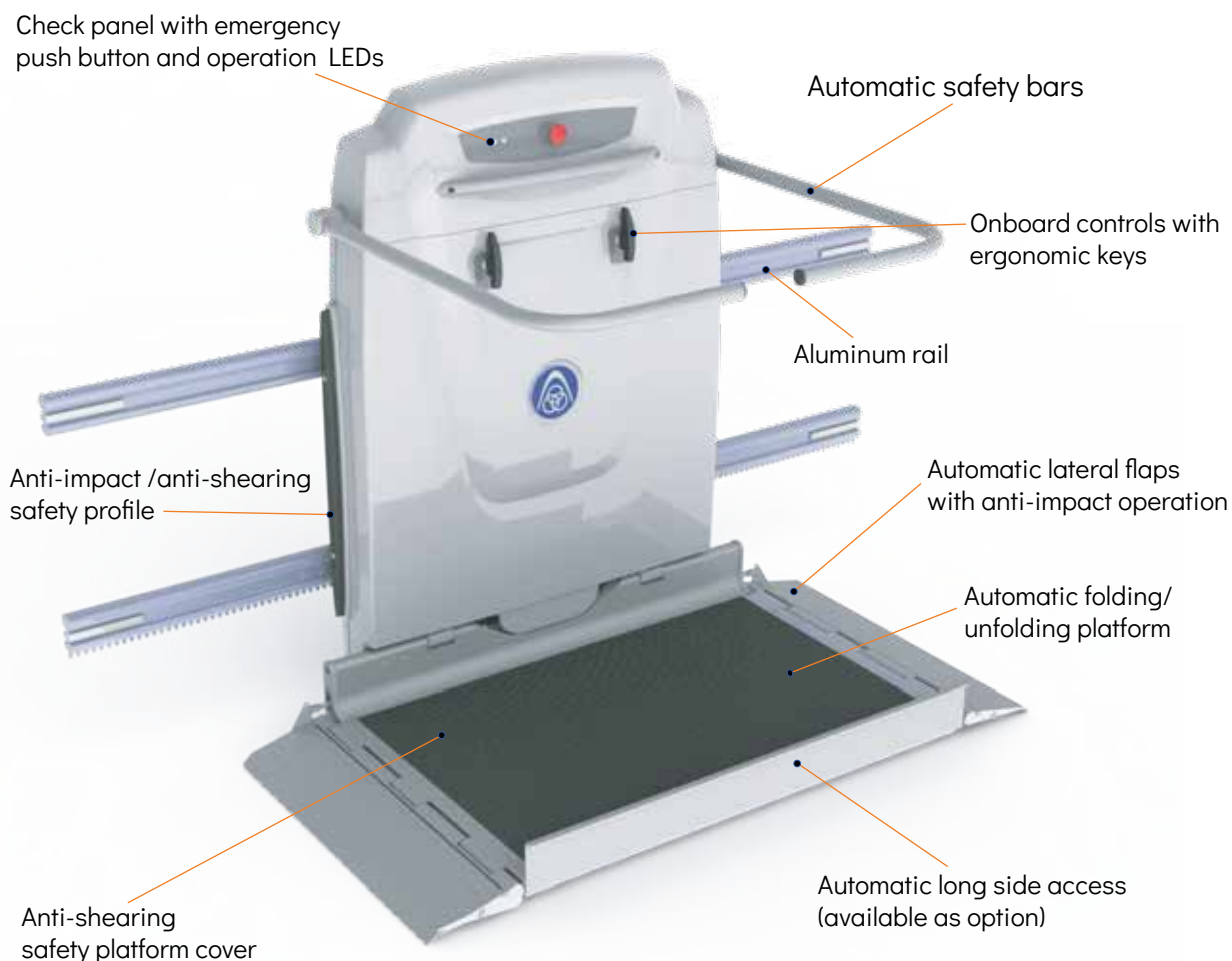
Door control placed away from the lift in an external call box connected to the lift via a cable or wireless. For the H100 Compact, when having a door on the B-side, there is no frame and thus no place for a door faceplate. The standard solution is to have the call button in an external call box connected to the lift via a cable. Optionally, a wireless radio control station can be ordered.

Supra

Discover the quality in every detail with the RPSP & Supra Platform lifts.

The technical solutions, choice of materials and extended use of Aluminium (rail, platform, safety bars) makes these products durable. The ABS plastic covers represent the best solution for outdoor installations.

Application:	Curvilinear staircases with variable gradient
Motor:	0.55 kW (0.75 kW for the increase speed version)
Power supply:	230 Vac, 50 Hz
Drive system:	Rack and pinion
Rated load:	300 kg (0° - 30°) – 250 kg (31° - 35°) – 190 kg - (36° - 45°)
Speed:	0.07 m/s (0.13 m/s in the straight sections for the increase speed version)
Standard platforms*:	860 x 650 – 860 x 710 – 1050 x 850 – 1250 x 850
Rail:	Twin aluminum rail, RAL painted (9006) max. length 40 m
Weights:	Machine body: 130 kg – Rail: 14 kg/m
Safeties:	Anti-impact/anti-shearing devices on the machine body – Anti-impact devices on the platform
Norm compliance:	2006/42/EC – EN 80-40



Flow II A

Freedom and active living

Flow Stairlift fits most staircases, straight, around corners or even spiral, on either side of the staircase. This compact Stairlift looks simple on the outside but the technology on the inside is extremely ingenious.

Patented unique ASL (Advanced Swivel and Levelling)

Technology allows an installation on the narrowest stairs while maintaining a comfortable chair size. With the arm and foot rests folded, Flow takes up little space when parked and can even be parked "round the corner". Thanks to the vertical start options, Flow can also be used with only minimum space available in front of the First Step keeping doors and doorways free. Installed within a few hours, the flow is your answer to years of freedom and extended quality of life.

The Flow Stairlift has achieved many prestigious industry awards for design and innovation and is the number 1 stairlift in terms of quality and value for money.

- Adjusted to your height
- Patented Swivel Technology
- Discreet, foldaway design
- A range of upholstery options
- Quick and efficient installation.



Thanks to proven monorail concept and patented ASL Technology the Flow rotates to the most optimal and safe position during the ride.

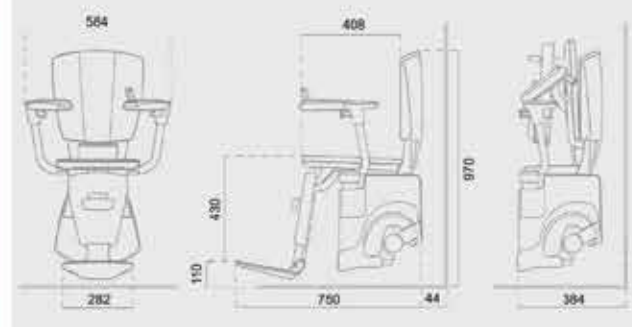


When the lift is folded up, there is still plenty of space for other stair users.



Different vertical start options enables installations even closer to doors.

Dimensions Flow



Where not directly specified, measurements are in millimeters.



elite[®]
ELEVATORS
— The Real Home Lifts —



thyssenkrupp

Contact Number:

Ph: 1300 319 878

Showroom:

Elite Elevators Corporation Pty Ltd
65 Southbank Boulevard Southbank
Victoria 3006, Australia.

Head Office:

Elite Elevators Corporation Pty Ltd
11 Hayward Road, Ferntree Gully,
Victoria 3156, Australia.

Email: enquiry@eliteelevators.com.au,

Web: www.EliteElevators.com.au