

Castano

Retail Book 2025

1300 856 887

sales@castano.com.au

Australia Wide Distribution

50 Bardia Avenue,
Seaford, Victoria, 3198

castano.com.au

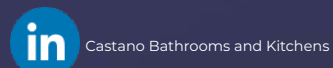
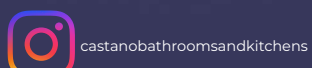
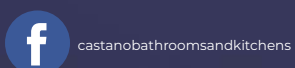


Table of Contents

1	Baths	
	Free Standing Baths With Ergonomic Backrests	3
	Corner Freestanding Baths	6
	Freestanding Baths	8
	Drop In Baths	9
2	Sinks & Laundry	
	Calabria Topmount / Undermount Sinks	12
	Lirio Sinks	15
	Turin Sinks	16
	Lavello Sinks	17
	Topmount Laundry Sinks	19
	Laundry Cabinets	20
	CalabriaSink Accessories	21
	Sink Mixers	22
3	Basins	
	Solid Surface Above Counter Basins	24
	Wall Hung/Counter Solid Surface Basin	26
	Premium Glass Basins	27
	Matte Ceramic Basins	28
	Alternative Ceramic Basins	32
	White Gloss Above Counter Vessel Basins	33
	White Gloss Wall Hung/ Above Counter Vessel Basin	37
	White Gloss Drop In Basins	39
	White Gloss Undermount Basins	40
	White Gloss Semi Inset Basins	41
	Basin Wastes Bottle Traps	43
4	Toilets	
	Toilets	47
	Care Toilets	49
	Toilet Accessories	50
	Spare Part Toilet Accessories	52
5	Tapware, Showers, Accessories & Wastes	
	Capri 35mm Chrome	55
	Capri 35mm CARE Chrome	56
	Milan Chrome	57
	Milan CARE Chrome	62
	Milan Black	63
	Milan CARE Black	67
	Milan Brushed Nickel	68
	Milan Gunmetal	71
	Siera Chrome	74
	Siera Black	76
	Siera Brushed Nickel	78
	Siera Gunmetal	80
	Elba Chrome	82
	Elba Black	85
6	Accessories & Wastes	
	Capri Chrome Accessories	91
	Capri Black Accessories	93
	Capri Brushed Nickle Accessories	95
	Capri Champagne Gold Accessories	96
	Capri Gunmetal Accessories	97
	Elba Chrome Accessories	98
	Elba Black Accessories	99
	Australian Made Floor Grates	100
7	Vanities & Wall Cabinets	
	Tiram Vanities	103
	Janine Ensuite	104
	Janine Full Depth	105
	Hannah Vanities	106
	Positano Vanities	107
	Ceramic Vanity Tops	108
	Universal Solid Surface Moulded Bowl Top	109
	Solid Surface Benchtops	110
	Florence Wall Cabinets	111
	Mirrors	112
8	Product Warranty	114

FREESTANDING & INSET BATHS



CROSS
LINKED



100% LUCITE CROSSLINKED ACRYLIC SHEET

Castano Baths are manufactured from 100% Lucite Cross Linked Acrylic Sheet, the most durable and resistant acrylic sheet available which provides a High UV Resistance and High Chemical Resistance. The story of Lucite Cross Linked Acrylic Sheet is that no other acrylic sheet is made the same way, due to the bond of cross linked technology that links one polymer chain to another creating a net structure within the acrylic sheet, providing a strong, durable acrylic sheet. When it comes to manufacturing baths, baths can be all sorts of shapes and sizes with tight radius internal corners.

100% Lucite Cross Linked Acrylic Sheet can be thermoformed at one of the lowest temperatures, providing on average a thickness of 3mm of acrylic sheet throughout the shape of the bath with tight radius, ensuring no weak points during the manufacturing process. Lucite Cross-Linked Acrylic Sheet is generally thicker than most other acrylics used in the production of baths. Lucite is owned by Lucite International Ltd controlled by Mitsubishi Chemical LTD based in Japan.

Lucite Cross Linked Acrylic provides high resistance to hot water that is over 60 degrees which can provide stable colour. Cross-Linked Acrylic Sheet used on baths is a requirement to meet EU standards such as CSN EN 263 Sanitary Products.

Ensure your next bath is constructed from 100% Lucite Cross Linked Technology, backed by Castano's Australian Wide 25 Year Warranty. Do it right the first time with Lucite Cross Linked Acrylic. Anything Else Is A Comprise

Arese 1600 'Lucite' Freestanding Bath Slimline Moulded Backrest - Gloss White

- 1600L x 800W x 580H (255 litre capacity)
- 100% Lucite Cross Linked Acrylic Sheet
- Internal Depth 445mm
- Ergonomic Back Rests On Each End
- 8mm Slim Edge
- Adjustable Legs on Robust Frame
- 25 Years Product Replacement Warranty
- 40mm Waste Required for ARE1600FB
- All overflow baths have over flow kits with pop-up waste installed

Code	ex GST	inc GST
ARE1600FB (no overflow kit)	\$2271.82	\$2499
ARE1600FB-OF (white overflow kit comes standard)	\$2408.18	\$2649
BATHOFWUP -CH/BL/NI/GM (Upgrade to colour overflow kit)	\$45.45	\$50

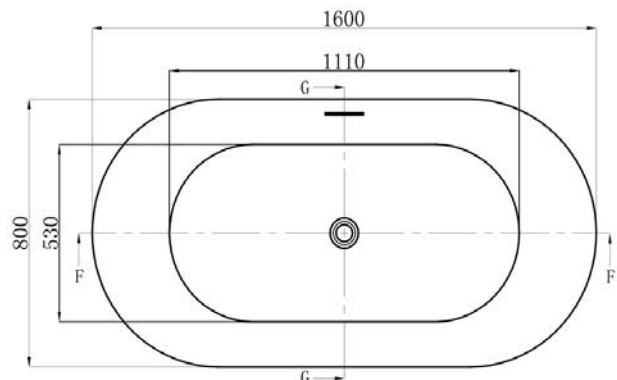
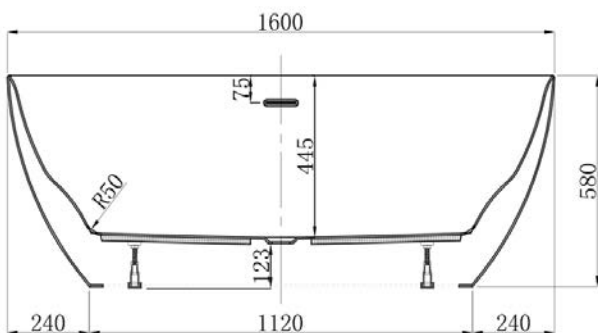


LUCITE[®]
The source of inspiration

Arese 1600 'Lucite' Freestanding Bath Slimline Moulded Backrest - Matte White

- 1600L x 800W x 580H (255 litre capacity)
- Matte acrylic inside, Matte 2-pac outside
- Internal Depth 445mm
- Ergonomic Back Rests On Each End
- 8mm Slim Edge
- Adjustable Legs on Robust Frame
- 10 Years Product Replacement Warranty
- 40mm Waste Required for ARE1600FB
- All overflow baths have over flow kits with pop-up waste installed

Code	ex GST	inc GST
ARE1600FB-MW (no overflow kit)	\$2271.82	\$2499
ARE1600FB-MW-OF (white overflow kit comes standard)	\$2408.18	\$2649
BATHOFWUP -CH/BL/NI/GM (Upgrade to colour overflow kit)	\$45.45	\$50



Positano 1400/1600/1800 'Lucite' Freestanding Bath - Gloss White

- Cross linked sanitary grade acrylic sheet
- 100% Lucite Cross Linked Acrylic Sheet
- Adjustable legs on a robust frame
- 1400L x 800W x 580H (238 litre capacity)
- 1600L x 800W x 580H (303 litre capacity)
- 1800L x 800W x 580H (360 litre capacity)
- 25 Years Product Replacement Warranty
- 20mm wide edge
- 40mm waste required
- All overflow baths have over flow kits with pop-up waste installed

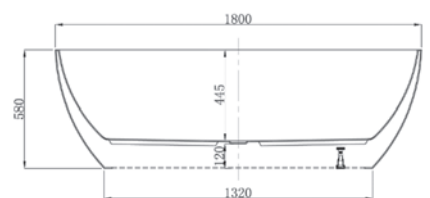
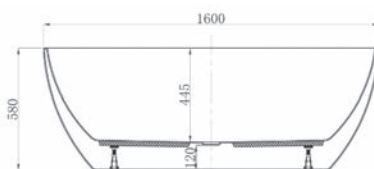
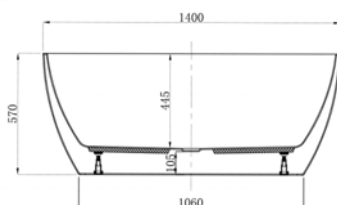
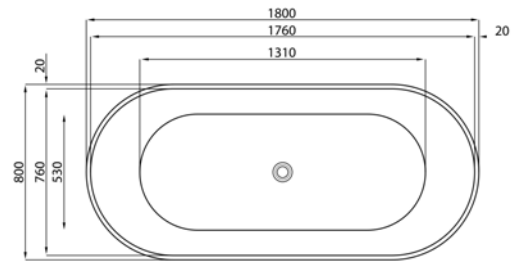
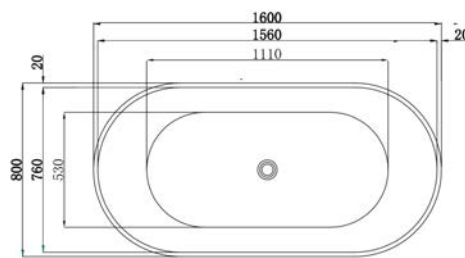
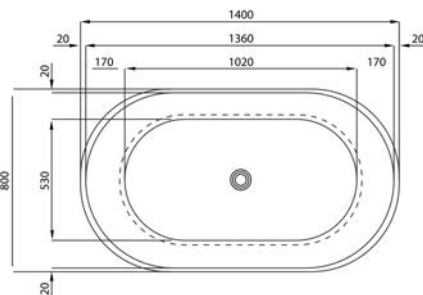
Code	ex GST	inc GST
POS1400FB	\$1999.09	\$2199
POS1600FB	\$2271.82	\$2499
POS1800FB	\$2453.64	\$2699
POS1400FB-OF	\$2135.45	\$2349
POS1600FB-OF	\$2408.18	\$2649
POS1800FB-OF	\$2590	\$2849
BATHOFWUP -CH/BL/NI/GM (Upgrade to colour overflow kit)	\$45.45	\$50



Positano 1400/1600/1800 'Lucite' Freestanding Bath - Matte White

- Cross linked sanitary grade acrylic sheet
- Matte acrylic inside, Matte 2-pac outside
- Adjustable legs on a robust frame
- 1400L x 800W x 580H (238 litre capacity)
- 1600L x 800W x 580H (303 litre capacity)
- 1800L x 800W x 580H (360 litre capacity)
- 10 Years Product Replacement Warranty
- 20mm wide edge
- 40mm waste required
- All overflow baths have over flow kits with pop-up waste installed

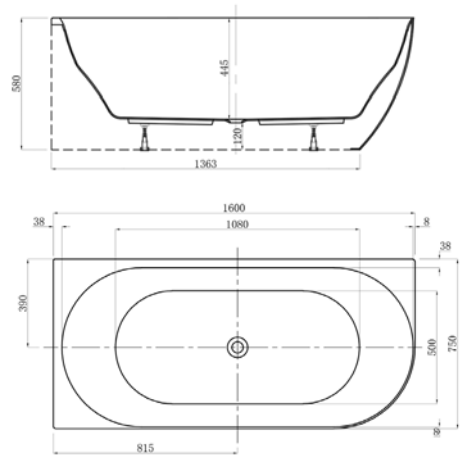
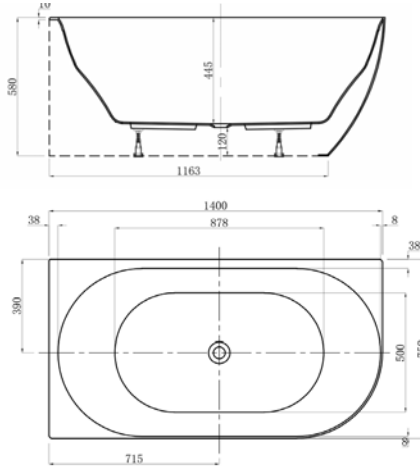
Code	ex GST	inc GST
POS1400FB-MW	\$1999.09	\$2199
POS1600FB-MW	\$2271.82	\$2499
POS1800FB-MW	\$2453.64	\$2699
POS1400FB-MW-OF	\$2135.45	\$2349
POS1600FB-MW-OF	\$1408.18	\$2649
POS1800FB-MW-OF	\$2590	\$2849
BATHOFWUP -CH/BL/NI/GM (Upgrade to colour overflow kit)	\$45.45	\$50



Positano 1400/1600 'Lucite' LH Corner Bath - Gloss White

- 1400L x 750W x 580H (275 litre capacity)
- 1600L x 750W x 580H (325 litre capacity)
- 100% Lucite Cross Linked Acrylic Sheet
- Ergonomic Backrest on both ends of the bath
- 8mm Slim Front Edge
- Adjustable Legs on Robust Frame
- 25 Year Product Replacement Warranty
- Not Suitable for shower bath for Positano 1600 and 1400 Corner Baths
- 40mm Waste Required

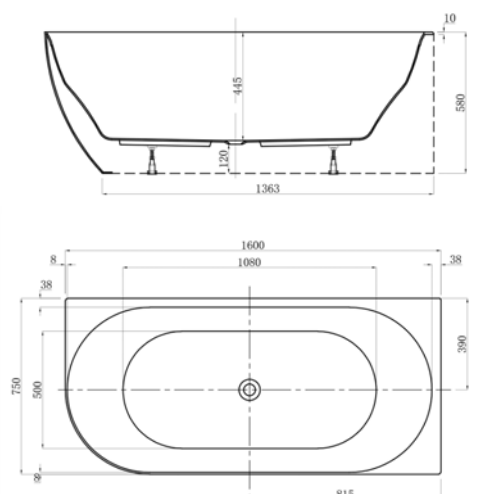
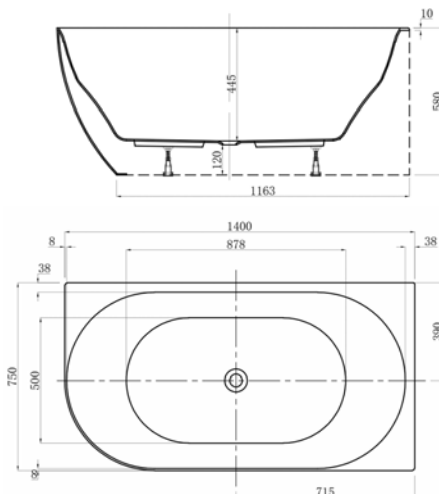
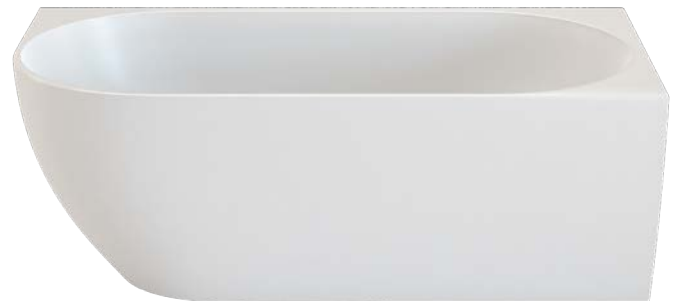
Code	ex GST	inc GST
POS1400CB-LH	\$1999.09	\$2199
POS1600CB-LH	\$2271.82	\$2499



Positano 1400/1600 'Lucite' RH Corner Bath - Gloss White

- 1400L x 750W x 580H (275 litre capacity)
- 1600L x 750W x 580H (325 litre capacity)
- 100% Lucite Cross Linked Acrylic Sheet
- Ergonomic Backrest on both ends of the bath
- 8mm Slim Front Edge
- Adjustable Legs on Robust Frame
- 25 Year Product Replacement Warranty
- Not Suitable for shower bath for Positano 1600 and 1400 Corner Baths
- 40mm Waste Required

Code	ex GST	inc GST
POS1400CB-RH	\$1999.09	\$2199
POS1600CB-RH	\$2271.82	\$2499

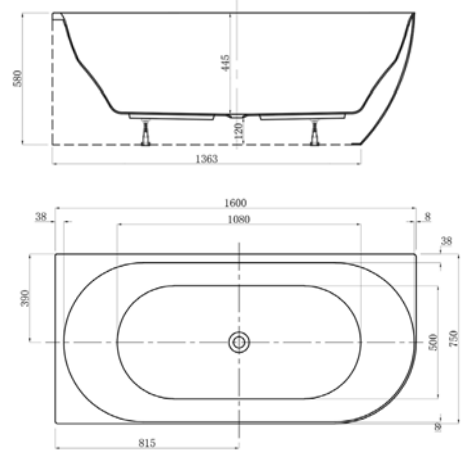
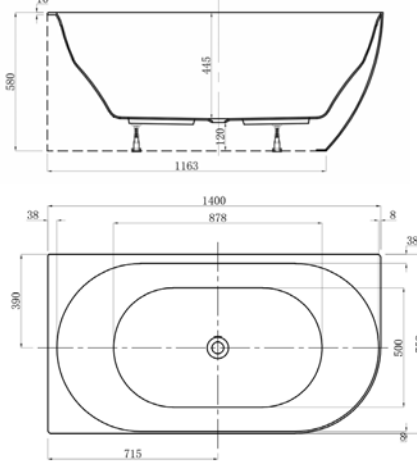


Positano 1400/1600 'Crosslinked' LH Corner Bath - Matte White

- 1400L x 750W x 580H (275 litre capacity)
- 1600L x 750W x 580H (325 litre capacity)
- Crosslinked sanitary grade acrylic
- Ergonomic Backrest on both ends of the bath
- 8mm Slim Front Edge
- Adjustable Legs on Robust Frame
- 10 Year Product Replacement Warranty
- Matte acrylic inside, Matte 2-pac outside
- Not Suitable for shower bath for Positano 1600 and 1400 Corner Baths
- 40mm Waste Required



Code	ex GST	inc GST
POS1400CB-LH-MW	\$1999.09	\$2199
POS1600CB-LH-MW	\$2271.82	\$2499

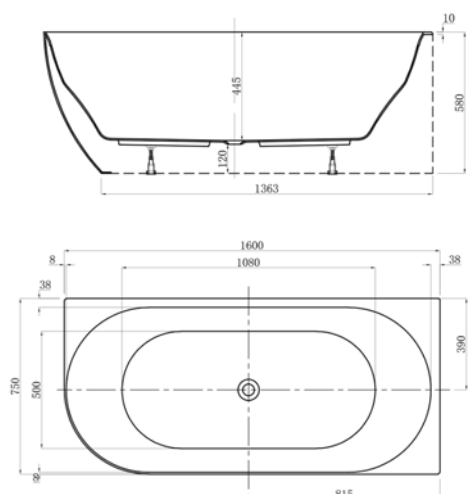
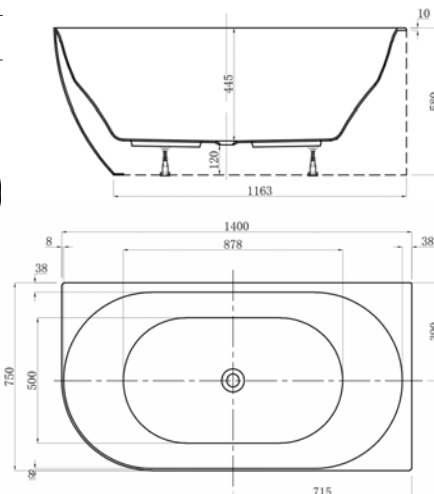


Positano 1400/1600 'Crosslinked' RH Corner Bath - Matte White

- 1400L x 750W x 580H (275 litre capacity)
- 1600L x 750W x 580H (325 litre capacity)
- Crosslinked sanitary grade acrylic
- Ergonomic Backrest on both ends of the bath
- 8mm Slim Front Edge
- Adjustable Legs on Robust Frame
- 10 Year Product Replacement Warranty
- Matte acrylic inside, Matte 2-pac outside
- Not Suitable for shower bath for Positano 1600 and 1400 Corner Baths
- 40mm Waste Required



Code	ex GST	inc GST
POS1400CB-RH-MW	\$1999.09	\$2199
POS1600CB-RH-MW	\$2271.82	\$2499



Positano 1660 'Lucite' Back To Wall Bath - Gloss White

- 1660L x 800W x 565H (293 litre capacity)
- 100% Lucite Cross Linked Acrylic Sheet
- 20mm Slim Front Edge design
- Adjustable Legs on Robust Frame
- 25 Year Product Replacement Warranty
- 40mm Waste Required

Code	ex GST	inc GST
POSBTW1660FB	\$2271.82	\$2499



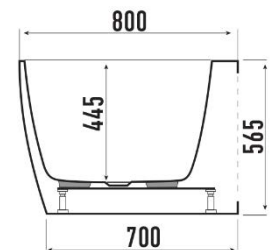
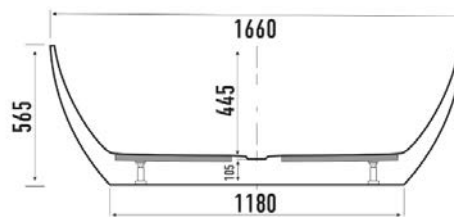
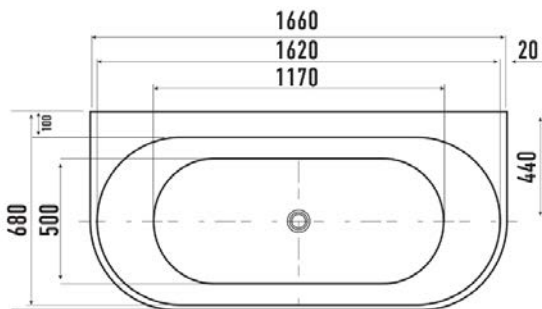
LUCITE[®]
The source of inspiration

CROSS LINKED

Positano 1660 Back to Wall Bath - Matt White

- 1660L x 800W x 565H (293 litre capacity)
- Cross linked sanitary grade acrylic sheet
- Matte acrylic inside, Matte 2-pac outside
- 20mm Slim Front Edge design
- Adjustable Legs on Robust Frame
- 10 Years Product Replacement Warranty
- 40mm Waste Required

Code	ex GST	inc GST
POSBTW1660FB-MW	\$2271.82	\$2499



CROSS LINKED

Monterosso 'Lucite' 1525/1675/1800 Drop in Bath

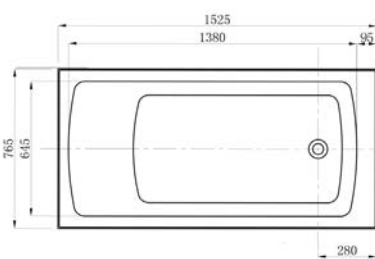
- 1525L x 765W x 420H (237 litre capacity)
- 1675L x 765W x 420H (267 litre capacity)
- 1800L x 800W x 470H (297 litre capacity)
- Able to fit shower screen panel to create shower bath
- 100% Lucite Cross Linked Acrylic Sheet
- 25 Years Product Replacement Warranty
- 40mm waste required
- 4 Sided Tiling Lip (5mm thick)



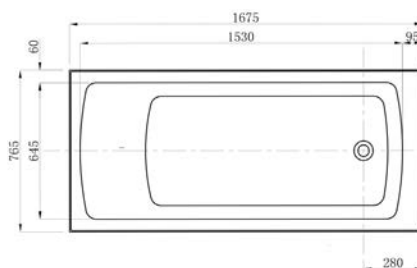
Code	ex GST	inc GST
MON1525B	\$526.36	\$579
MON1675B	\$571.82	\$629
MON1800B	\$708.18	\$779



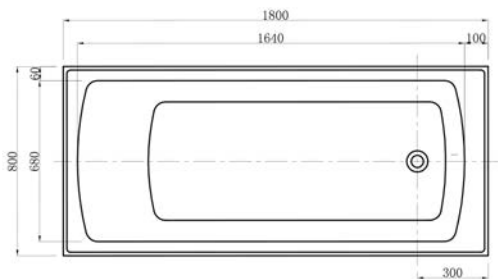
LUCITE® **CROSS LINKED**
The source of inspiration



MON1525B



MON1675B



MON1800B

Pop Up Bath Basket Pull Out Waste 40mm

- Not available for any baths that are already supplied with overflow kits (overflow & pop-up waste kit already installed)
- Chrome Plated/Matt Black/Brushed Nickel/Gunmetal/ Champagne Gold
- Available for all other baths
- 7 year product replacement warranty only
- Note that GM & GO wastes are chrome bases with GM or GO caps
- Pull out basket waste hair catcher



Code		ex GST	inc GST
POBBAS40C	Pop up BATH Basket PULLOUT waste 40mm Non Overflow - Chrome	\$44.54	\$49
POBBAS40-BL	Pop up BATH Basket PULLOUT waste 40mm Non Overflow - Black	\$71.82	\$79
POBBAS40-NI	Pop up BATH Basket PULLOUT waste 40mm Non Overflow - Chrome waste with Brushed Nickel Cap	\$71.82	\$79
POBBAS40-GM	Pop up BATH Basket PULLOUT waste 40mm Non Overflow - Chrome waste with Gunmetal Cap	\$71.82	\$79
POBBAS40-GO	Pop up BATH Basket PULLOUT waste 40mm Non Overflow - Chrome waste with Champagne Gold Cap	\$71.82	\$79
POBBAS40-GW	Pop up BATH Basket PULLOUT waste 40mm Non Overflow - Chrome waste with Gloss white Cap	\$71.82	\$79
POBBAS40-MW	Pop up BATH Basket PULLOUT waste 40mm Non Overflow - Chrome waste with Matte white Cap	\$71.82	\$79

SINKS & LAUNDRY

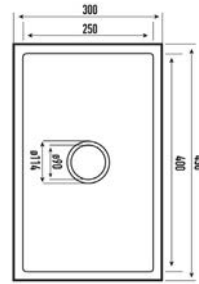
Castano



Calabria 300 Single Bowl Sink

- 300L x 450W x 250D - 25 litre capacity
- Underbowl protective coating
- 1.5 mm handmade heavy duty sink
- 304 Stainless Steel
- Topmount or undermount
- 90mm waste basket
- Smooth round edges R10
- 25 year product replacement warranty
- 1 year labour & basket warranty

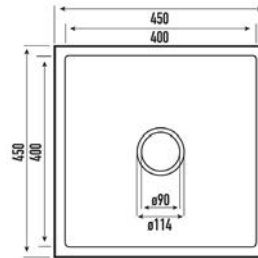
Code	ex GST	inc GST
CBM21	\$344.55	\$379



Calabria 450 Single Bowl Sink

- 450L x 450W x 250D - 40 litre capacity
- Underbowl protective coating
- 1.5 mm hand made heavy duty sink
- 304 Stainless Steel
- Topmount or undermount
- 90mm waste basket
- Smooth round edges R10
- 25 year product replacement warranty
- 1 year labour & basket warranty

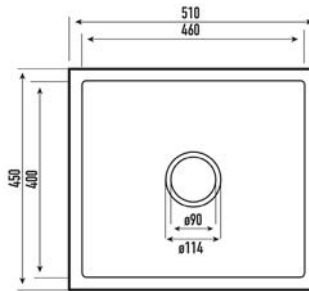
Code	ex GST	inc GST
CBM02	\$371.82	\$409



Calabria 510 Single Bowl Sink

- 510L x 450W x 250D - 46 litre capacity
- Underbowl protective coating
- 1.5 mm handmade heavy duty sink
- 304 Stainless Steel
- Topmount or undermount
- 90mm waste basket
- Smooth round edges R10
- 25 year product replacement warranty
- 1 year labour & basket warranty

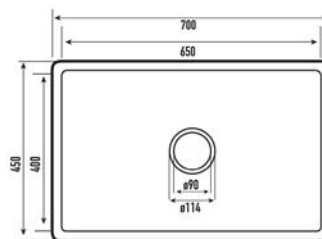
Code	ex GST	inc GST
CBM03	\$408.18	\$449



Calabria 700 Single Bowl Sink

- 700L x 450W x 250D - 60 litre capacity
- Underbowl protective coating
- 1.5 mm handmade heavy duty sink
- 304 Stainless Steel
- Topmount or undermount
- 90mm waste basket
- Smooth round edges R10
- 25 year product replacement warranty
- 1 year labour & basket warranty

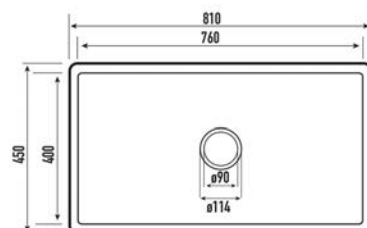
Code	ex GST	inc GST
CBM05	\$490	\$539



Calabria 810 Single Bowl Sink

- 810L x 450W x 250D - 76 litre capacity
- Underbowl protective coating
- 1.5 mm hand made heavy duty sink
- 304 Stainless Steel
- Topmount or undermount
- 90mm waste basket
- Smooth round edges R10
- 25 year product replacement warranty
- 1 year labour & basket warranty

Code	ex GST	inc GST
CBM07	\$590	\$649

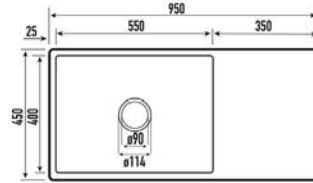




Calabria 950 Single Bowl Sink & Drainer

- 950L x 450W x 205D - 45 litre capacity
- Underbowl protective coating
- 1.5 mm hand made heavy duty sink
- 304 Stainless Steel
- Topmount or undermount
- 90mm waste basket
- Smooth round edges R10
- 25 year product replacement warranty
- 1 year labour & basket warranty

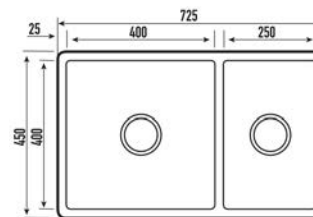
Code	ex GST	inc GST
CBM09	\$680.91	\$749



Calabria 725 1 & 1/2 Bowl Sink

- 725L x 450W x 205D - 53 litre capacity
- Underbowl protective coating
- 1.5 mm handmade heavy duty sink
- 304 Stainless Steel
- Topmount or undermount
- 90mm waste basket
- Smooth round edges R10
- 25 year product replacement warranty
- 1 year labour & basket warranty

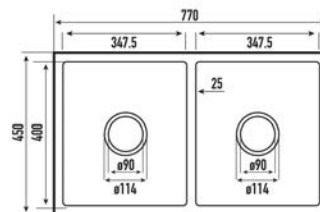
Code	ex GST	inc GST
CBM11	\$653.64	\$719



Calabria 770 Double Bowl Sink

- 770L x 450W x 205D - 57 litre capacity (CBM13)
- Underbowl protective coating
- 770L x 450W x 250D (CBM13D)
- 1.5 mm handmade heavy duty sink
- 304 Stainless Steel
- Topmount or undermount
- 90mm waste basket
- Smooth round edges R10
- 25 year product replacement warranty
- 1 year labour & basket warranty

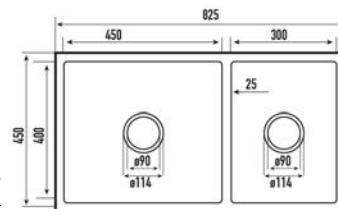
Code	ex GST	inc GST
CBM13	\$686.36	\$755



Calabria 825 1 & 3/4 Bowl Sink

- 825L x 450W x 205D - 61 litre capacity
- Underbowl protective coating
- 1.5 mm hand made heavy duty sink
- 304 Stainless Steel
- Topmount or undermount
- 90mm waste basket
- Smooth round edges R10
- 25 year product replacement warranty
- 1 year labour & basket warranty

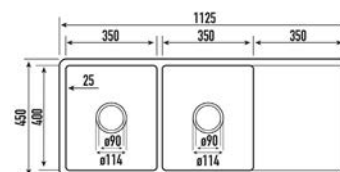
Code	ex GST	inc GST
CBM15	\$708.18	\$779



Calabria 1125 Double Bowl & Drainer

- 1125L x 450W x 205D - 57 litre capacity
- Underbowl protective coating
- 1.5 mm hand made heavy duty sink
- 304 Stainless Steel
- Topmount or undermount
- 90mm waste basket
- Smooth round edges R10
- 25 year product replacement warranty
- 1 year labour & basket warranty

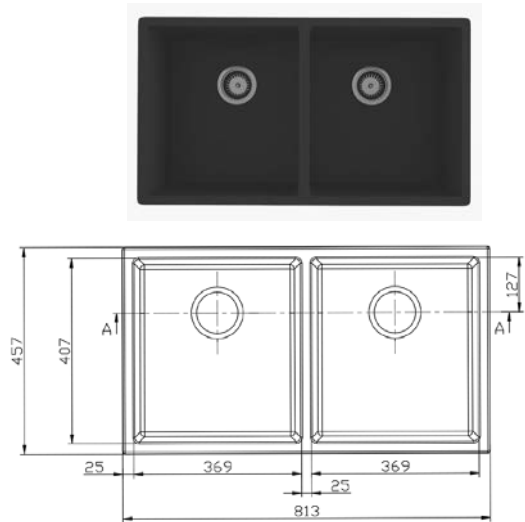
Code	ex GST	inc GST
CBM19	\$908.18	\$999



Comiso Double Bowl Sink Black Quartz

- Overall Size 813mm x 457mm x 247mm
- Manufactured from German sourced Quartz Material
- Top Mount or Undermount Installation
- Dual Stainless Steel Basket Wastes
- 15 year product replacement warranty
- 1 year labour warranty
- 75% Quartz Composition, 25% Resin

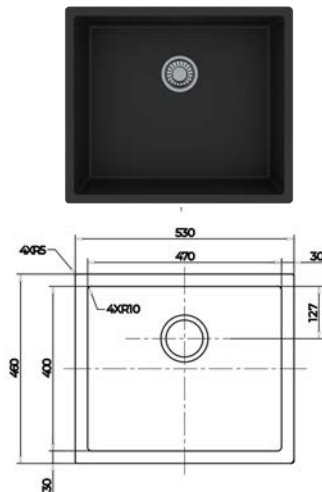
Code	ex GST	inc GST
COMDBS813	\$713.64	\$785



Comiso Large Single Bowl Sink Black Quartz

- Overall Size 530mm x 460mm x 215mm
- Manufactured from German sourced Quartz Material
- Top Mount or Undermount Installation
- Stainless Steel Basket Waste
- 15 year product replacement warrant
- 1 year labour warranty
- 75% Quartz Composition, 25% Resin

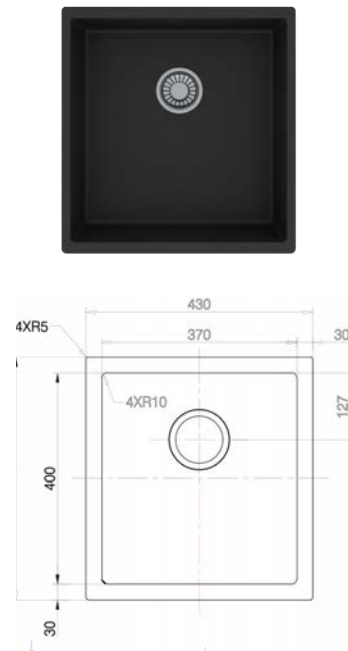
Code	ex GST	inc GST
COMSBL530	\$631.82	\$695



Comiso Small Single Bowl Sink Black Quartz

- Overall Size 430mm x 460mm x 215mm
- Manufactured from German sourced Quartz Material
- Top Mount or Undermount Installation
- Stainless Steel Basket Waste
- 15 year product replacement warranty
- 1 year labour warranty
- 75% Quartz Composition, 25% Resin

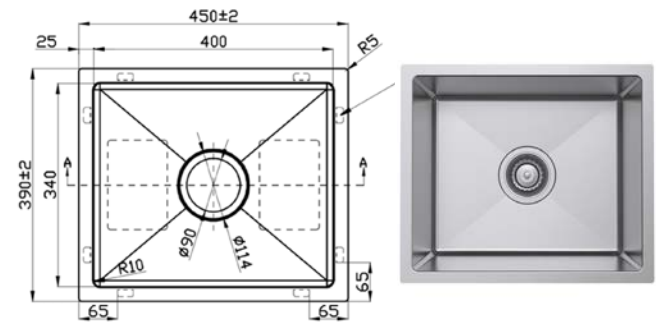
Code	ex GST	inc GST
COMSBS430	\$595.45	\$655



Lirio Single Bowl Sink

- 450L x 390W x 200D
- 1mm hand made sink
- SS304 Brushed Stainless Steel (1.0 Thickness)
- 90mm Basket Waste
- Top Mount or Undermount
- 10 year product replacement warranty
- 1 year labour & basket warranty

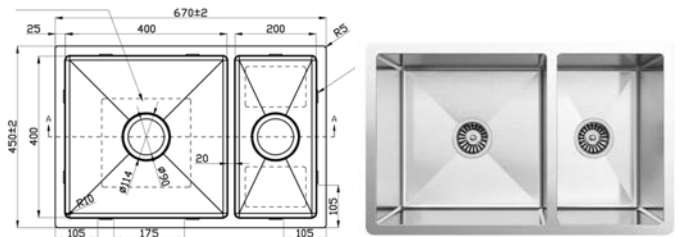
Code	ex GST	inc GST
SSLIRSB450	\$286.36	\$315



Lirio 1 & 1/2 Bowl Sink

- 670L x 450W x 200D
- 1mm hand made sink
- SS304 Brushed Stainless Steel (1.0 Thickness)
- Basket Waste/Clips/Sealing Tape Included
- 90mm Basket Waste
- Top Mount or Undermount
- 10 year product replacement warranty
- 1 year labour & basket warranty

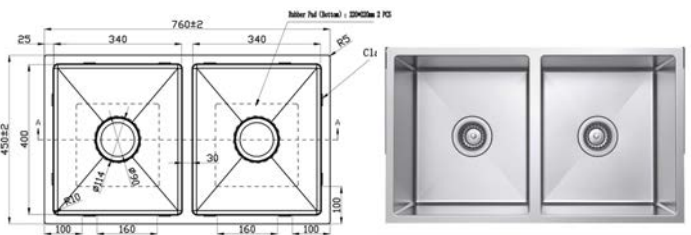
Code	ex GST	inc GST
SSLIRBH670	\$544.55	\$599



Lirio Double Bowl Sink

- 760L x 450W x 200D
- 1mm hand made sink
- SS304 Brushed Stainless Steel (1.0 Thickness)
- 90mm Basket Waste
- Top Mount or Undermount
- 10 year product replacement warranty
- 1 year labour & basket warranty

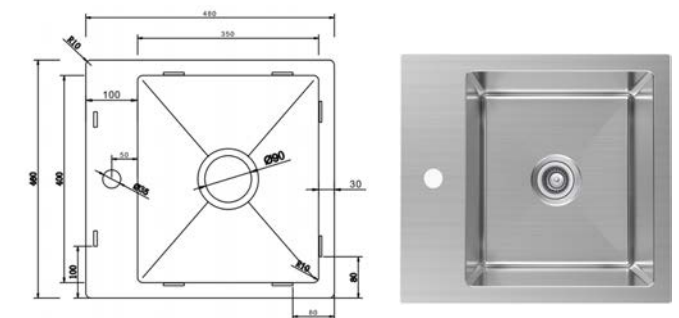
Code	ex GST	inc GST
SSLIRDB760	\$544.55	\$599



Lirio Care Single Bowl

- 480L x 460W x 145D
- 1mm hand made sink
- SS304 Brushed Stainless Steel (1.0 Thickness)
- 90mm Basket Waste
- Topmount
- Underbowl Heat Pad included
- 10 year product replacement warranty
- 1 year labour & basket warranty

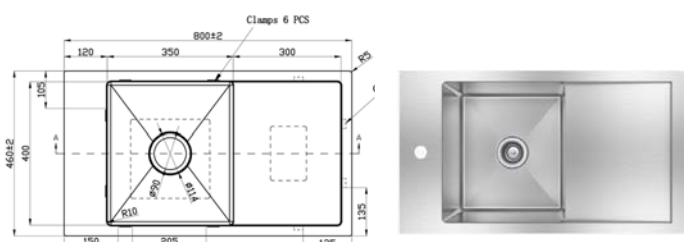
Code	ex GST	inc GST
SSLIRSB480	\$668.18	\$735



Lirio Care Single Bowl and Drainer

- 800L x 460W x 145D
- 1mm hand made sink
- SS304 Brushed Stainless Steel (1.0 Thickness)
- 90mm Basket Waste
- Topmount
- Underbowl Heat Pad included
- 10 year product replacement warranty
- 1 year labour & basket warranty

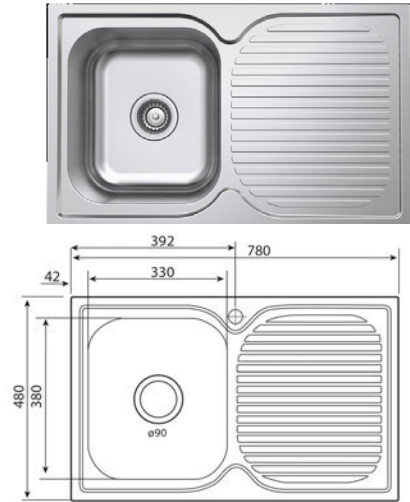
Code	ex GST	inc GST
SSLIRSB800	\$762.73	\$839



Turin 780 Single Bowl and Drainer

- Generous Single Bowl Capacity
- Designed to suit Laminated and Stone Benchtops
- Manufactured from 304 Stainless Steel, 0.9mm Thickness
- Australian Watermarked Basket Waste Standard
- 10 year product replacement warranty
- 1 year labour & basket warranty
- Silk Finish

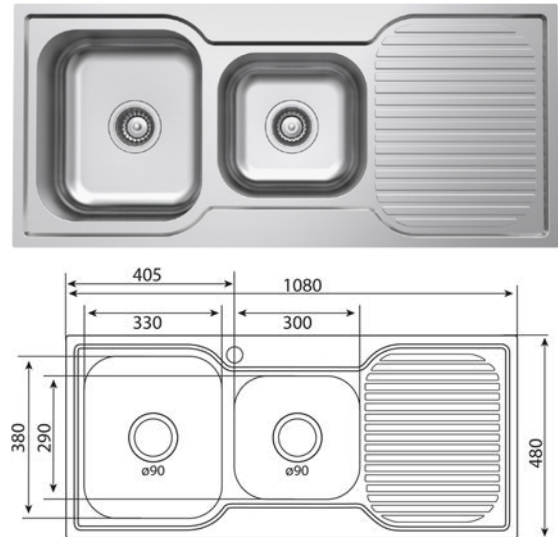
Code	ex GST	inc GST
TUSS780LH (Left Hand Bowl)	\$244.55	\$275
TUSS780RH (Right Hand Bowl)	\$244.55	\$275



Turin 1080 1 3/4 Left Hand Bowl Sink and Drainer

- Generous 1 3/4 Bowl Capacities
- Manufactured from 304 Stainless Steel, 0.9mm Thickness
- Designed to suit Laminated and Stone Benchtops
- Approved Australian Watermarked Basket Wastes, comply with WMTS-040 Standard
- 10 Year Product Replacement Warranty
- 1 year labour & basket warranty
- Silk Finish

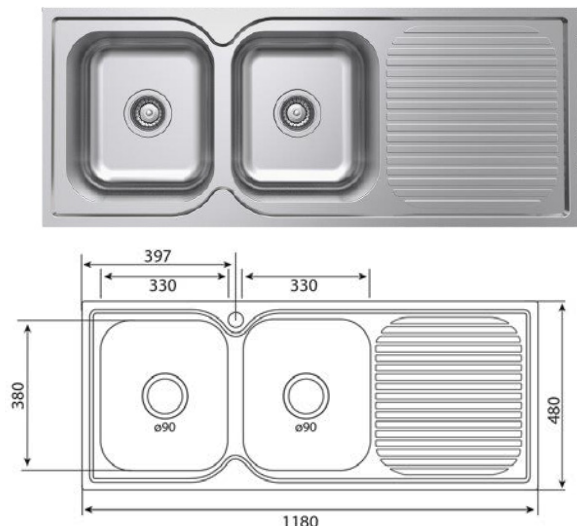
Code	ex GST	inc GST
TUSS1080LH (Left Hand Bowl)	\$304.55	\$335
TUSS1080RH (Right Hand Bowl)	\$304.55	\$335



Turin 1180 Double Bowl Sink with Drainer

- Double Bowl Sink
- 1180L x 480 W x 180D
- Basket Waste/Clips/Sealing Tape Included
- Available RH or LH Bowl
- SS304 (0.9 Thickness)
- Silk Finish
- 10 year product replacement warranty
- 1 year labour & basket warranty

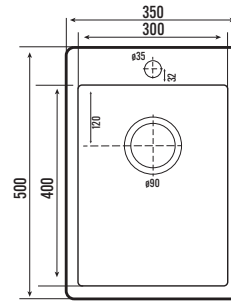
Code	ex GST	inc GST
TUSS1180LH (Left Hand Bowl)	\$340.91	\$375
TUSS1180RH (Right Hand Bowl)	\$340.91	\$375



Lavello Utility Sink 25lt with Tap Landing

- Overall Size 350L x 500W x 240D
- Bowl Size 300L x 400W x 230D
- Underbowl protective coating
- Top mounted
- 1.2mm handmade heavy duty sink
- 304 Stainless Steel
- Smooth round edges R10
- 90mm Basket Waste
- 10 year product replacement warranty
- 1 year labour & basket warranty

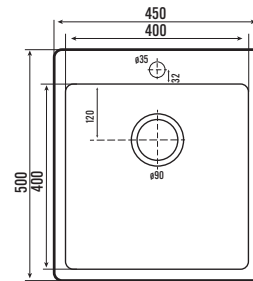
Code	ex GST	inc GST
SSLAVTL20	\$371.82	\$409



Lavello Utility Sink 35lt with Tap Landing

- Overall Size 450L x 500W x 240D
- Bowl Size 400L x 400W x 230D
- Underbowl protective coating
- Top mounted
- 1.2mm handmade heavy duty
- 304 Stainless Steel
- Smooth round edges R10
- 90mm Basket Waste
- 10 year product replacement warranty
- 1 year labour & basket warranty

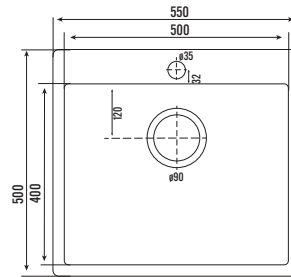
Code	ex GST	inc GST
SSLAVTL30	\$390	\$429



Lavello Utility Sink 45lt with Tap Landing

- Overall Size 550L x 500W x 240D
- Bowl Size 500L x 400W x 230D
- Underbowl protective coating
- Top mounted
- 1.2mm handmade heavy duty
- 304 Stainless Steel
- Smooth round edges R10
- 90mm Basket Waste
- 10 year product replacement warranty
- 1 year labour & basket warranty

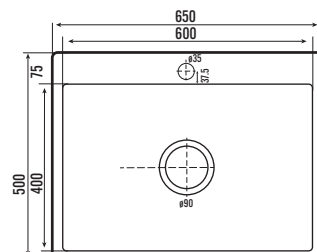
Code	ex GST	inc GST
SSLAVTL40	\$415.45	\$457



Lavello Utility Sink 70lt with Tap Landing

- Overall Size 650L x 500W x 310D
- Bowl Size 600L x 400W x 300D
- Underbowl protective coating
- Top mounted
- 1.2mm handmade heavy duty
- 304 Stainless Steel
- Smooth round edges R10
- 90mm Basket Waste
- 10 year product replacement warranty
- 1 year labour & basket warranty

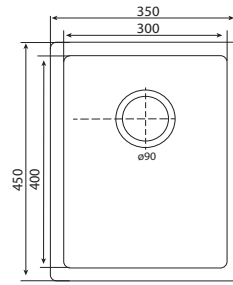
Code	ex GST	inc GST
SSLAVTL70	\$522.73	\$575



Lavello Utility Sink 25lt with Overflow

- Overall Size 350L x 450W x 240D- Bowl Size 300L x 400W x 230D
- Underbowl protective coating
- 1.2mm handmade heavy duty sink
- Undermount or Topmount Installation
- Watermarked Basket Waste and overflow included
- 304 Stainless Steel
- 90mm Basket Waste
- 10 year product replacement warranty
- 1 year labour & basket warranty

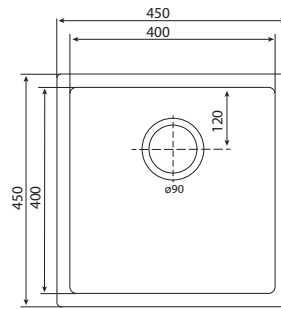
	Code	ex GST	inc GST
	SSLAVW020	\$371.82	\$436



Lavello Utility Sink 35lt with Overflow

- Overall Size 450L x 450W x 240D -Bowl Size 400L x 400W x 230D
- Underbowl protective coating
- 1.2 mm handmade heavy duty
- Undermount or Topmount Installation
- Watermarked Basket Waste and overflow included
- 304 Stainless Steel
- 90mm Basket Waste
- 10 year product replacement warranty
- 1 year labour & basket warranty

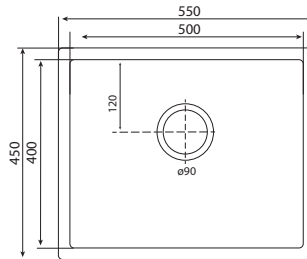
	Code	ex GST	inc GST
	SSLAVW030	\$408.18	\$449



Lavello Utility Sink 45lt with Overflow

- Overall Size 550L x 450W x 240D- Bowl Size 500L x 400W x 230D
- Underbowl protective coating
- 1.2 mm handmade heavy duty
- Undermount or Topmount Installation
- Watermarked Basket Waste and overflow included
- 304 Stainless Steel
- 90mm Basket Waste
- 10 year product replacement warranty
- 1 year labour & basket warranty

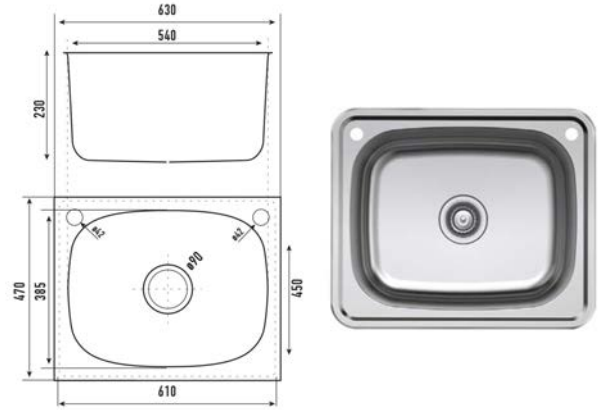
	Code	ex GST	inc GST
	SSLAVW040	\$459.09	\$505



Lagos 45L Inset Bowl with Double Bypass

- 635L x 475W x 230D
- 45L Inset Bowl
- Single By-Pass Kit/Basket Waste/Clips/Sealing Tape Included
- SS304 (0.8 Thickness)
- Silk Finish
- 90mm Basket Waste
- 10 year product replacement warranty
- 1 year labour & basket warranty

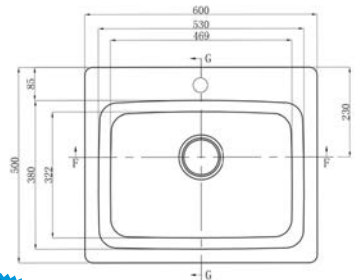
Code	ex GST	inc GST
SSLAG0S1010C	\$226.36	\$249



Arno 42L Utility Sink One Tap Hole

- 600mm x 500mm x 250mmD
- Supplied with Australian Watermarked 90mm Basket Waste
- Manufactured from 100% Lucite Crosslinked Acrylic Sheet
- Very Durable, Chemical Resistant, UV Resistant
- Scratches can be removed with Wet and Dry Sand Paper and Car Polish
- Designed for Wall Mounted or Bench Mounted Tapware
- 25 Year Product Replacement Warranty
- Gloss White Finish
- Fibreglass reinforced
- Will Not Rust
- Generous 240mm Internal Bowl Depth
- 42L Capacity
- 90mm Basket Waste
- 1 year labour & basket warranty

Code	ex GST	inc GST
ARN0421TH	\$335.45	\$369

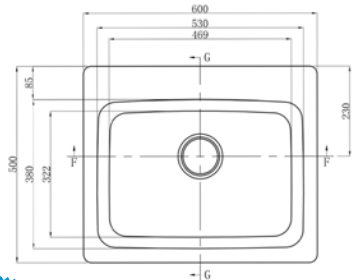


LUCITE
The source of inspiration

Arno 42L Utility Sink No Tap Hole

- 600mm x 500mm x 250mmD
- Supplied with Australian Watermarked 90mm Basket Waste
- Manufactured from 100% Lucite Crosslinked Acrylic Sheet
- Very Durable, Chemical Resistant, UV Resistant
- Scratches can be removed with Wet and Dry Sand Paper and Car Polish
- Designed for Wall Mounted or Bench Mounted Tapware
- 25 Year Product Replacement Warranty
- Gloss White Finish
- Fibreglass reinforced
- Will Not Rust
- Generous 240mm Internal Bowl Depth
- 42L Capacity
- 90mm Basket Waste
- 1 year labour & basket warranty

Code	ex GST	inc GST
ARN042NTH	\$335.45	\$369

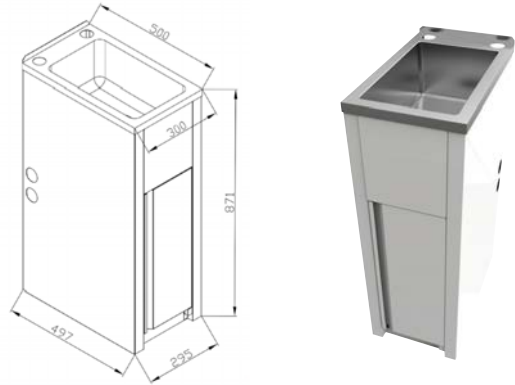


LUCITE
The source of inspiration

Vasca 20L Fingerpull Laundry Cabinet

- 20L Vasca Laundry Cabinet
- HANDMADE SINK
- White powder coated metal cabinet
- Cabinet 300L x 550W x 900H
- Classic Finger Pull Design
- Flexible Bypass Kit Included
- 10 year product replacement warranty
- 1 year basket warranty
- 304 grade stainless 1.0m steel sink
- 10mm radius
- Designer basket waste

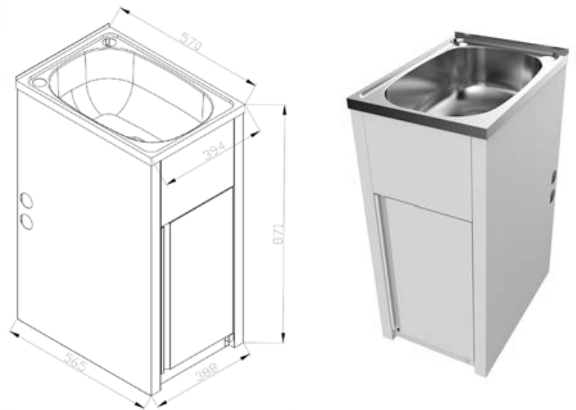
Code	ex GST	inc GST
SSVAS20L	\$499.09	\$549



Vasca 35L Fingerpull Laundry Cabinet

- 35L Vasca Laundry Cabinet
- White powder coated metal cabinet
- Cabinet 394L x 570W x 900H
- Classic Finger Pull Design
- Flexible Bypass Kit Included
- 10 year product replacement warranty
- 1 year basket warranty
- 304 grade stainless steel sink
- Designer basket waste
- Underbowl Protective Coating

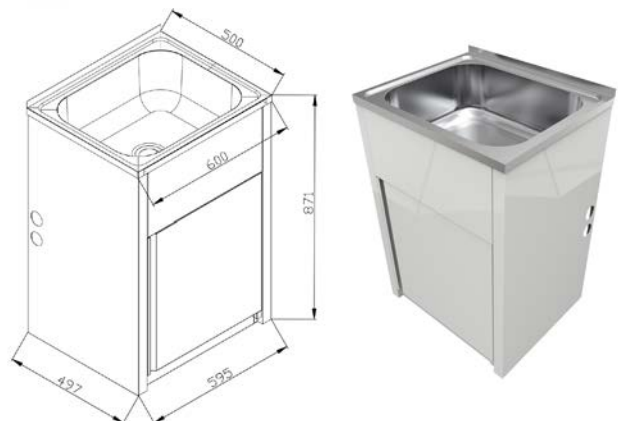
Code	ex GST	inc GST
SSVAS35L	\$435.45	\$479



Vasca 45L Fingerpull Laundry Cabinet

- 45L Vasca Laundry Cabinet
- White powder coated metal cabinet
- Cabinet 600L x 500W x 900H
- Classic Finger Pull Design
- Flexible Bypass Kit Included
- 10 year product replacement warranty
- 1 year basket warranty
- 304 grade stainless steel sink
- Designer basket waste
- Underbowl Protective Coating

Code	ex GST	inc GST
SSVAS45L	\$462.73	\$509



Calabria Chopping Board/Bamboo Chopping Board

Calabria Chopping Board

- 435 x 300 x 20
- Great accessory to the Calabria sinks
- Sits flush inside all models or inside stone. Not suitable for dishwasher



Code	ex GST	inc GST
SSORTACB	\$90	\$99

Calabria Roll Mat

- 400 x 430
- Great accessory to the Calabria sinks
- Sits on top of sink line or on top of stone
- 1 year warranty



Code	ex GST	inc GST
SSORTARM	\$90	\$99

Calabria Steel Colander

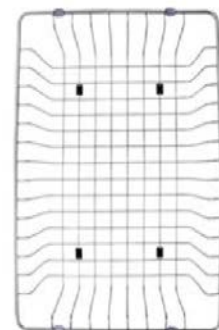
- 426 x 231 x 91
- Great accessory to the Calabria sinks
- Sits flush inside all models or inside stone
- 1 year warranty



Code	ex GST	inc GST
SSORTAWB	\$108.18	\$119

Calabria Dishrack

- 425 x 270 x 120 (Dishrack)
- Great accessory to the Calabria sinks
- Sits flush inside all models
- 1 year warranty



Code	ex GST	inc GST
DR425270120 (Dishrack)	\$90	\$99

Calabria Dish Drainer Tray

- 440 x 322 x 15 (Drainer Tray)
- Great accessory to the Calabria sinks
- Sits flush inside all models or inside stone
- 1 year warranty

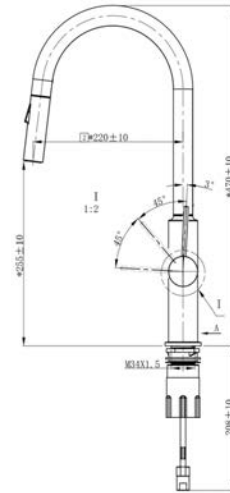


Code	ex GST	inc GST
SSORTADT5037L	\$108.18	\$119

Valerno Pull Out Sink Mixer Brushed Stainless Steel

- Manufactured from 304 Stainless Steel
- Brushed Stainless Steel Finish
- Lead Free Tap Body
- 35mm Cold Start Cartridge Position
- 2 Function Pattern Spray Head
- Flexible Ball Joint Spray Head - Stainless Steel
- Great alternative to Brushed Nickel Brass construction tapware
- Lifetime Warranty Construction of the Tap Body
- Cartridge - 15 Year Product Replacement Warranty
- Finish - Lifetime Warranty
- Labour 2 Year In House Warranty
- WELS 5 Star 5.5L/Minl
- PEX Flexible Tails

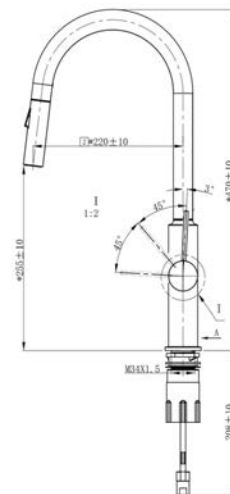
Code	ex GST	inc GST
VALPOSSIS	\$459	\$505



Valerno Pull Out Sink Mixer Coal

- Manufactured from 304 Stainless Steel
- Finish - Black with Nano Coating
- Lead Free Tap Body
- 35mm Cold Start Cartridge Position
- 2 Function Pattern Spray Head
- Flexible Ball Joint Spray Head - Stainless Steel
- Finish Warranty 5 Years
- Lifetime Warranty Construction of the Tap Body
- Cartridge - 15 Year Product Replacement Warranty
- Labour 2 Year In House Warranty
- WELS 5 Star 5.5L/Minl
- PEX Flexible Tails

Code	ex GST	inc GST
VALPOSSIS-BL	\$563	\$619



BASINS

BASINS

Castano

Positano Oval Solid Surface Basin Above Counter Snow

- 100% Solid Surface Material
- 505mm x 355mm x 110mm H
- Snow Finish
- 5 Year Product Replacement Warranty
- 1 Year Labour Warranty
- 32mm Non-Overflow Waste Not Included

Code	ex GST	inc GST
POSOVSSBS (snow)	\$522.73	\$575



Positano Oval Solid Surface Basin Above Counter Pebble

- 100% Solid Surface Material
- 505mm x 355mm x 110mm
- Pebble Finish
- 5 Year Product Replacement Warranty
- 1 Year Labour Warranty
- 32mm Non-Overflow Waste Not Included

Code	ex GST	inc GST
POSOVSSBP (pebble)	\$522.73	\$575



Positano Oval Solid Surface Basin Above Counter Concrete

- 100% Solid Surface Material
- 505mm x 355mm x 110mm
- Concrete Colour Finish
- 5 Year Product Replacement Warranty
- 1 Year Labour Warranty
- 32mm Non-Overflow Waste Not Included

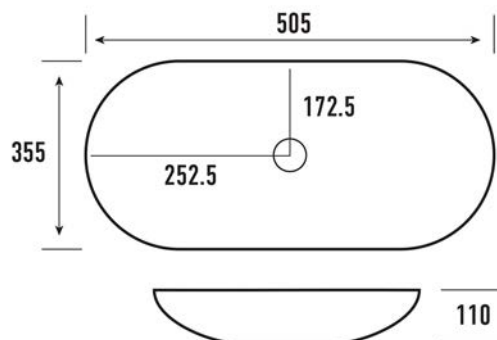
Code	ex GST	inc GST
POSOVSSBC (concrete)	\$522.73	\$575



Positano Oval Solid Surface Basin Above Counter White

- 100% Solid Surface Material
- 505mm x 355mm x 110mm
- Matte White Colour Finish
- 5 Year Product Replacement Warranty
- 1 Year Labour Warranty
- 32mm Non-Overflow Waste Not Included

Code	ex GST	inc GST
POSOVSSBW (white)	\$522.73	\$575



Solid Surface Above Counter Basins (100% Silca Free)

Mykonos Round Solid Surface Basin Above Counter Snow

- 100% Solid Surface Material
- 415mm DIA x 90mm
- Snow Finish
- 5 Year Product Replacement Warranty
- 1 Year Labour Warranty
- 32mm Non-Overflow Waste Not Included

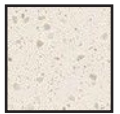
Code	ex GST	inc GST
MYKSSSW (snow)	\$522.73	\$575



Mykonos Round Solid Surface Basin Above Counter Pebble

- 100% Solid Surface Material
- 415mm DIA x 90mm
- Pebble Finish
- 5 Year Product Replacement Warranty
- 1 Year Labour Warranty
- 32mm Non-Overflow Waste Not Included

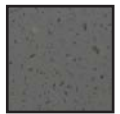
Code	ex GST	inc GST
MYKSSPB (pebble)	\$522.73	\$575



Mykonos Round Solid Surface Basin Above Counter Concrete

- 100% Solid Surface Material
- 415mm DIA x 90mm
- Concrete Colour Finish
- 5 Year Product Replacement Warranty
- 1 Year Labour Warranty
- 32mm Non-Overflow Waste Not Included

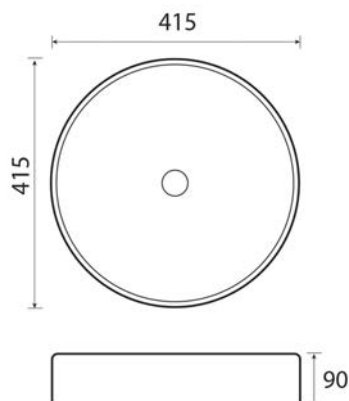
Code	ex GST	inc GST
MYKSSCO (concrete)	\$522.73	\$575



Mykonos Round Solid Surface Basin Above Counter White

- 100% Solid Surface Material
- 415mm DIA x 90mm
- Matte White Colour Finish
- 5 Year Product Replacement Warranty
- 1 Year Labour Warranty
- 32mm Non-Overflow Waste Not Included

Code	ex GST	inc GST
MYKSSWH (white)	\$522.73	\$575



Silver Sunset Oval or Round Glass Basin

- 420Ø x 150H (round)
- 495W x 390D x 140H (oval)
- "45mm hole only" to be cut into benchtop for this basin to allow for spacer
- Supplied with spacer for basin to sit on
- 5 year product replacement only warranty
- 1 year labour warranty
- 32mm Non overflow waste required

Code	ex GST	inc GST
SSRDGB (round)	\$380.91	\$419
SSOVGB (oval)	\$380.91	\$419



Gold Oval or Round Glass Basin

- 420Ø x 150H (round)
- 495W x 390D x 140H (oval)
- "45mm hole only" to be cut into benchtop for this basin to allow for spacer
- Supplied with spacer for basin to sit on
- 5 year product replacement only warranty
- 1 year labour warranty
- 32mm Non overflow waste required

Code	ex GST	inc GST
GOLDRDGB (round)	\$380.91	\$419
GOLDOVGB (oval)	\$380.91	\$419



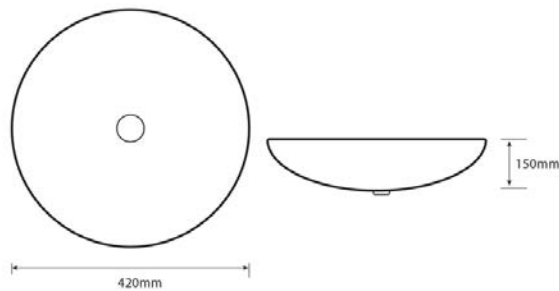
Black Marble Oval or Round Glass Basin

- 420Ø x 150H (round)
- 495W x 390D x 140H (oval)
- "45mm hole only" to be cut into benchtop for this basin to allow for spacer
- Supplied with spacer for basin to sit on
- 5 year product replacement only warranty
- 1 year labour warranty
- 32mm Non overflow waste required

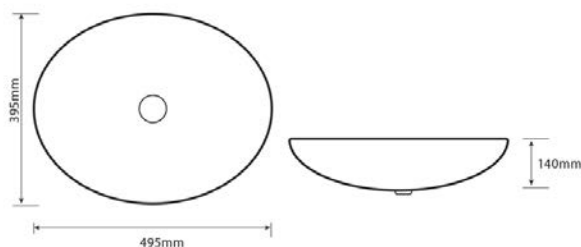
Code	ex GST	inc GST
BMRDGB (round)	\$380.91	\$419
BMOVGB (oval)	\$380.91	\$419



Round specification



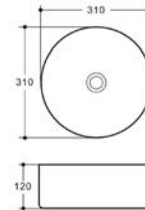
Oval specification



Mini Siera Round Slimline 310mm Ceramic Above Counter Basin Matte White

- 310Ø x 120H (round)
- Vitreous China
- 5 Year Product Replacement Warranty
- 1 Year Labour Warranty
- 32mm Non overflow waste required
- Also available in Gloss White

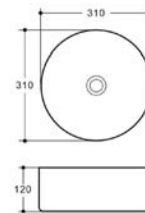
Code	ex GST	inc GST
MINISIERVB-MW	\$299.09	\$329



Mini Siera Round Slimline 310mm Ceramic Above Counter Basin Matte Black

- 310Ø x 120H (round)
- Vitreous China
- 5 Year Product Replacement Warranty
- 1 Year Labour Warranty
- 32mm Non overflow waste required

Code	ex GST	inc GST
MINISIERVB-MB	\$299.09	\$329



Mini Siera Round Slimline 310mm Ceramic Above Counter Basin Matte Grey

- 310Ø x 120H (round)
- Vitreous China
- 5 Year Product Replacement Warranty
- 1 Year Labour Warranty
- 32mm Non overflow waste required

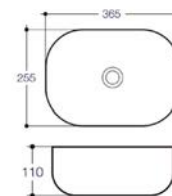
Code	ex GST	inc GST
MINISIERVB-MG	\$299.09	\$329



Mini Urbino Slimline Ceramic Above Counter Basin Matte White

- 365W x 255D x 110H
- 32mm Non overflow waste required
- Matte White
- 5 Year Product Replacement Warranty
- 1 Year Labour Warranty

Code	ex GST	inc GST
LDAMINIURBSL-MW	\$299.09	\$329



Roma Mini Round Ceramic Above Counter Basin Matte White

- Vitreous China
- 320 (round) x 110H
- 5 Year Product Replacement Warranty
- 1 Year Labour Warranty
- 32mm Non overflow waste required
- Also available in Gloss White

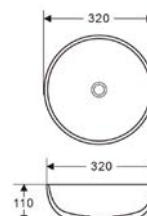
Code	ex GST	inc GST
MINIROMA-MW	\$299.09	\$329



Roma Mini Round Ceramic Above Counter Basin Matte Black

- Vitreous China
- 320 (round) x 110H
- 5 Year Product Replacement Warranty
- 1 Year Labour Warranty
- 32mm Non overflow waste required
- Also available in Gloss White

Code	ex GST	inc GST
MINIROMA-MB	\$299.09	\$329

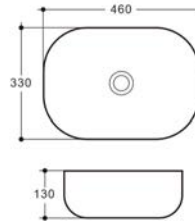


Matte Finish Ceramic Basins

Positano 460 Oval Slimline Ceramic Above Counter Basin Matte White

- 460W x 330D x 130H
- 5 Year Product Replacement Warranty
- 1 Year Labour Warranty
- 32mm Non overflow waste required
- Also available in Gloss White

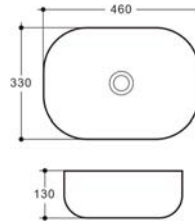
Code	ex GST	inc GST
POSITANO460-MW	\$299.09	\$329



Positano 460 Oval Slimline Ceramic Above Counter Basin Matte Black

- 460W x 330D x 130H
- 5 Year Product Replacement Warranty
- 1 Year Labour Warranty
- 32mm Non overflow waste required
- Also available in Gloss White

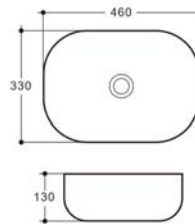
Code	ex GST	inc GST
POSITANO460-MB	\$299.09	\$329



Positano 460 Oval Slimline Ceramic Above Counter Basin Matte Grey

- 460W x 330D x 130H
- 5 Year Product Replacement Warranty
- 1 Year Labour Warranty
- 32mm Non overflow waste required
- Also available in Gloss White

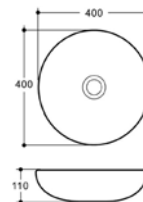
Code	ex GST	inc GST
POSITANO460-MG	\$299.09	\$329



Roma Round Ceramic Above Counter Basin Matte White

- Vitreous China
- 400 (round) x 110H
- 5 Year Product Replacement Warranty
- 1 Year Labour Warranty
- 32mm Non overflow waste required
- Also available in Gloss White

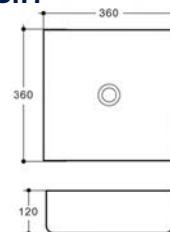
Code	ex GST	inc GST
ROMAVB-MW	\$299.09	\$329



Piazza Square Slimline Ceramic Above Counter Basin

- Vitreous China
- 360W x 360D x 120H
- 5 Year Product Replacement Warranty
- 1 Year Labour Warranty
- 32mm Non overflow waste required
- Also available in Gloss White

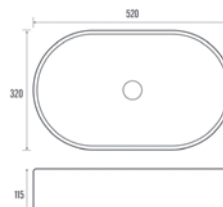
Code	ex GST	inc GST
PIAVB-MW	\$299.09	\$329



Louise Vessel Basin Matte White

- Vitreous China
- 520W x 320D x 115H
- 32mm Non overflow waste required
- Also available in gloss white
- Matte White
- 5 Year Product Replacement Warranty
- 1 Year Labour Warranty

Code	ex GST	inc GST
LDALOUVB-MW	\$299.09	\$329



Siera Flute Round 360mm Ceramic Above Counter Basin Matte White

- Vitreous China
- 365W x 120H
- 5 Year Product Replacement Warranty
- 1 Year Labour Warranty
- 32mm waste required
- Also available in Gloss White

Code	ex GST	inc GST
SIEFLVB-MW	\$299.09	\$329



Siera Flute Round 360mm Ceramic Above Counter Basin Matte Black

- Vitreous China
- 365W x 120H
- 5 Year Product Replacement Warranty
- 1 Year Labour Warranty
- 32mm waste required
- Also available in Gloss White

Code	ex GST	inc GST
SIEFLVB-MB	\$299.09	\$329



Siera Round Slimline 360mm Ceramic Above Counter Basin Matte White

- 360Ø x 120H (round)
- Vitreous China
- 5 Year Product Replacement Warranty
- 1 Year Labour Warranty
- 32mm Non overflow waste required
- Also available in Gloss White

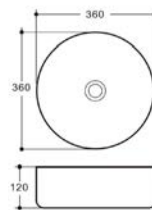
Code	ex GST	inc GST
SIERVB-MW	\$299.09	\$329



Siera Round Slimline 360mm Ceramic Above Counter Basin Matte Black

- 360Ø x 120H (round)
- Vitreous China
- 5 Year Product Replacement Warranty
- 1 Year Labour Warranty
- 32mm Non overflow waste required
- Also available in Gloss White

Code	ex GST	inc GST
SIERVB-MB	\$299.09	\$329



Siera Round Slimline 360mm Ceramic Above Counter Basin Matte Grey

- 360Ø x 120H (round)
- Vitreous China
- 5 Year Product Replacement Warranty
- 1 Year Labour Warranty
- 32mm Non overflow waste required
- Also available in Gloss White

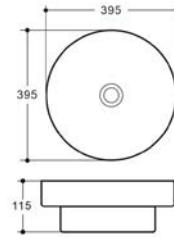
Code	ex GST	inc GST
SIERVB-MG	\$299.09	\$329



Thames Semi Inset Round Ceramic Basin Matte Black

- Vitreous China
- 395Ø x 115H (round)
- 65mm LIP
- 32mm Non overflow waste required
- Can be used as above counter basin or inset basin
- 5 Year Product Replacement Warranty
- 1 Year Labour Warranty
- Also available in Gloss White

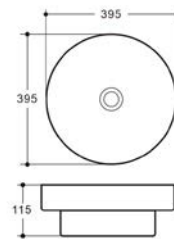
Code	ex GST	inc GST
THASIVB-MB	\$299.09	\$329



Thames Semi Inset Round Ceramic Basin Matte White

- Vitreous China
- 395Ø x 115H (round)
- 32mm Non overflow waste required
- Can be used as above counter basin or inset basin
- 5 Year Product Replacement Warranty
- 1 Year Labour Warranty
- 65mm LIP
- Also available in Gloss White

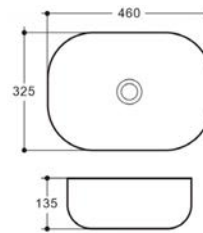
Code	ex GST	inc GST
THASIVB-MW	\$299.09	\$329



Urbino 460 Slimline Ceramic Above Counter Basin Matte White

- 460W x 325D x 135H
- Vitreous China
- 5 Year Product Replacement Warranty
- 1 Year Labour Warranty
- 32mm Non overflow waste required
- Also available in Gloss White

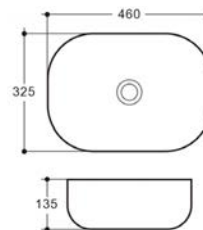
Code	ex GST	inc GST
URBSL460-MW	\$299.09	\$329



Urbino 460 Slimline Ceramic Above Counter Basin Matte Black

- 460W x 325D x 135H
- Vitreous China
- 5 Year Product Replacement Warranty
- 1 Year Labour Warranty
- 32mm Non overflow waste required
- Also available in Gloss White

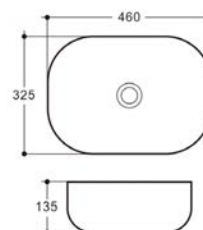
Code	ex GST	inc GST
URBSL460-MB	\$299.09	\$329



Urbino 460 Slimline Ceramic Above Counter Basin Matte Grey

- 460W x 325D x 135H
- Vitreous China
- 5 Year Product Replacement Warranty
- 1 Year Labour Warranty
- 32mm Non overflow waste required
- Also available in Gloss White

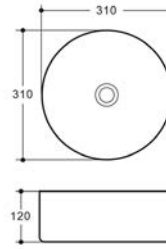
Code	ex GST	inc GST
URBSL460-MG	\$299.09	\$329



Siera Mini Siera Round Slimline Black Edge Ceramic Above Counter Basin

- Vitreous China
- Gloss white with black edge
- 310Ø x 120H
- 5 Year Product Replacement Warranty
- 1 Year Labour Warranty
- 32mm Non overflow waste required

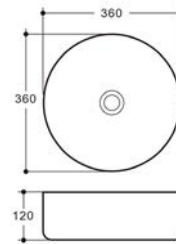
Code	ex GST	inc GST
MINISIERVB-EDGE	\$271.82	\$299



Siera Round Slimline Black Edge Ceramic Above Counter Basin

- Vitreous China
- Gloss white with black edge
- 360Ø x 120H (round)
- 5 Year Product Replacement Warranty
- 1 Year Labour Warranty
- 32mm Non overflow waste required

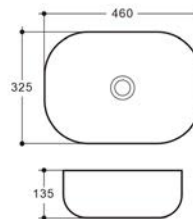
Code	ex GST	inc GST
SIERVB-EDGE	\$271.82	\$299



Urbino 460 Slimline Black Edge Ceramic Above Counter Basin

- Vitreous China
- Gloss white with black edge
- 460W x 325D x 135H
- 5 Year Product Replacement Warranty
- 1 Year Labour Warranty
- 32mm Non overflow waste required

Code	ex GST	inc GST
URBSL460-EDGE	\$271.82	\$299

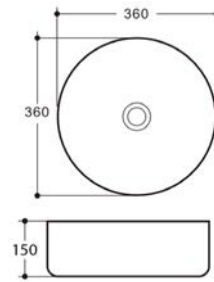


White Gloss Above Counter Vessel Basins with Overflow

Halo Round 360 Ceramic Above Counter Basin

- Vitreous China 1TH
- 360 Diameter 150H
- 32mm overflow waste required
- 5 Year Replacement Warranty
- 1 Year Labour

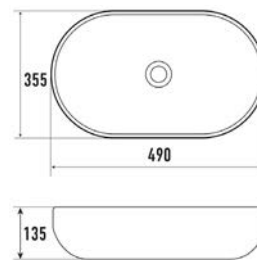
Code	ex GST	inc GST
HALWOF	\$199.09	\$219



Jaqui Oval Slimline Ceramic Above Counter Basin with Overflow

- Vitreous China 1TH
- 490W x 355D x 135H
- 32mm Non overflow waste required
- Gloss White
- 5 Year Replacement Warranty
- 1 Year Labour

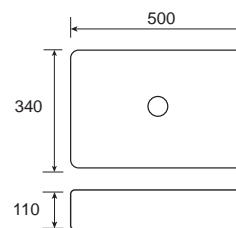
Code	ex GST	inc GST
LDAJVB	\$226.36	\$249



Isabella Rectangle Slimline Ceramic Above Counter Basin

- Vitreous China
- 500W x 340D x 110H
- 32mm Overflow waste required
- 5 Year Replacement Warranty
- 1 Year Labour

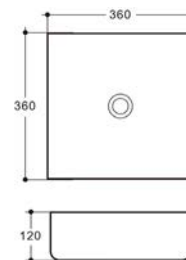
Code	ex GST	inc GST
ISAVSVB	\$199.09	\$219



Piazza Square Slimline Ceramic Above Counter Basin

- Vitreous China
- 360W x 360D x 120H
- 5 Year Product Replacement Warranty
- 1 Year Labour Warranty
- 32mm Non overflow waste required
- Also available in Matte White

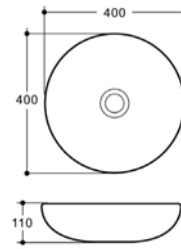
Code	ex GST	inc GST
PIAVB	\$199.09	\$219



Roma Round Slimline Ceramic Above Counter Basin

- Vitreous China 1TH
- 400 (round) x 110H
- Available Matt White
- 32mm Non overflow waste required
- Gloss White
- 5 Year Product Replacement Warranty
- 1 Year Labour Warranty

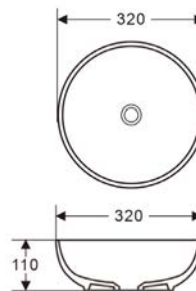
Code	ex GST	inc GST
ROMAVB	\$199.09	\$219



Mini Siera Round Slimline Ceramic Above Counter Basin

- Vitreous China
- 320mm DIA x 110mm H
- Suits Basin Wall Mixer or Mid Tower Basin Mixers
- Suits 460mm Depth Vanities or Ensuite Depth Vanities
- Gloss White Finish
- 5 Year Replacement Warranty
- 1 Year Labour

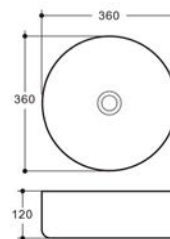
Code	ex GST	inc GST
MINIROMAVB	\$199.09	\$219



Siera Round Slimline Above Counter Basin

- Vitreous China
- 360Ø x 120H (round)
- 5 Year Product Replacement Warranty
- 1 Year Labour Warranty
- 32mm Non overflow waste required
- Also available in matte colours
- (see matte basins)

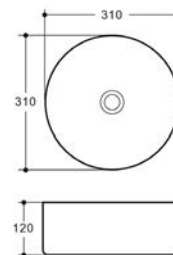
Code	ex GST	inc GST
SIERAVB	\$199.09	\$219



Mini Siera Round Slimline Ceramic Above Counter Basin

- Vitreous China
- 310Ø x 120H
- 5 year product replacement only
- 1 year labour
- 32mm Non overflow waste required
- Also available in matte colours
- (see matte basins)

Code	ex GST	inc GST
MINISIERAVB	\$199.09	\$219



Siera Flute Round Slimline Ceramic Above Counter Basin

- Vitreous China
- 365 Diameter x 120H
- Also available in Matte White and Matte Black
- 5 Year Product Replacement Warranty
- 1 Year Labour Warranty
- 32mm Non overflow waste required

Code	ex GST	inc GST
SIEFLVB	\$226.36	\$249

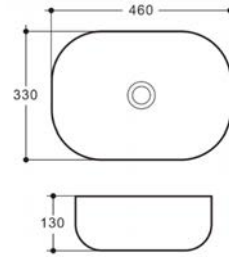


White Gloss Above Counter Vessel Basins

Positano 460 Oval Slimline Ceramic Above Counter Basin

- 460W x 330D x 130H
- 5 Year Product Replacement Warranty
- 1 Year Labour Warranty
- 32mm Non overflow waste required
- Also available in matte colours
(see matte basins)

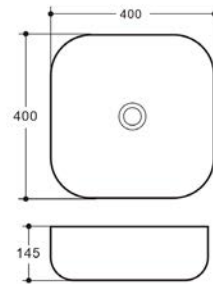
Code	ex GST	inc GST
POSITANO460	\$199.09	\$219



Urbino 400 Rectangle Slimline Ceramic Above Counter Basin

- Manufactured from Vitreous China
- Designed to suit Wall or Tower Basin Mixer
- 400W x 400D x 145H
- Thin Edge Design
- 5 Year Product Replacement Warranty
- 1 Year Labour Warranty
- 32mm Non Overflow Waste Not Included

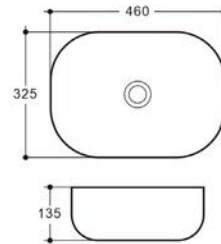
Code	ex GST	inc GST
URBSL400	\$199.09	\$219



Urbino 460 Rectangle Slimline Ceramic Above Counter Basin

- Vitreous China
- 460W x 325D x 135H
- 5 Year Product Replacement Warranty
- 1 Year Labour Warranty
- 32mm Non overflow waste required
- Also available in matte colours
(see matte basins)

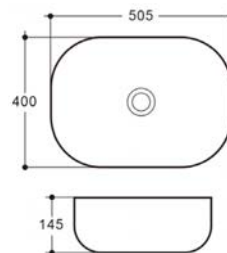
Code	ex GST	inc GST
URBSL460	\$199.09	\$219



Urbino 500 Rectangle Slimline Ceramic Above Counter Basin

- Vitreous China
- 505W x 400D x 145H
- 5 Year Product Replacement Warranty
- 1 Year Labour Warranty
- 32mm Non overflow waste required
- Also available in matte colours
(see matte basins)

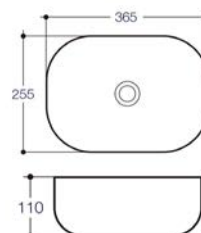
Code	ex GST	inc GST
URBSL500	\$199.09	\$219



Mini Urbino Rectangle Slimline Ceramic Above Counter Basin

- Manufactured from Vitreous China
- 32mm Non overflow waste required
- Gloss White
- 365W x 255D x 110H
- 5 Year Replacement Warranty
- 1 Year Labour

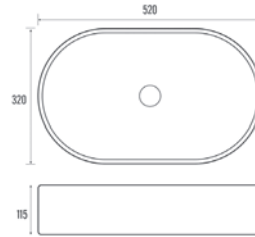
Code	ex GST	inc GST
LDAMINIURBSL	\$199.09	\$219



Louise Oval Ceramic Above Counter Basin

- Vitreous China 1TH
- 520W x 320D x 115H
- 32mm Non overflow waste required
- Also available in matte white
- Gloss White
- 5 Year Product Replacement Warranty
- 1 Year Labour Warranty

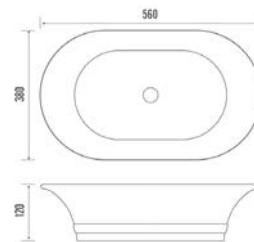
Code	ex GST	inc GST
LDALOUVB	\$226.36	\$249



Sophia Oval Federation Style Ceramic Above Counter Basin

- Vitreous China 1TH
- 560W x 380D x 120H
- 32mm Non overflow waste required
- Gloss White
- 5 Year Replacement Warranty
- 1 Year Labour

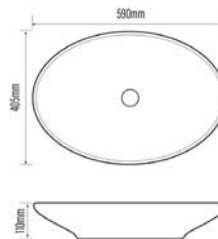
Code	ex GST	inc GST
LDASOPVB	\$244.55	\$249



Grande Large Eclipse Ceramic Above Counter Basin

- Vitreous China 1TH
- 590W x 405D x 110H
- 32mm Non overflow waste required
- Gloss White
- 5 Year Replacement Warranty
- 1 Year Labour

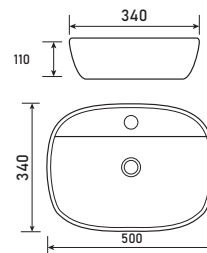
Code	ex GST	inc GST
LDAGRAVB	\$226.36	\$249



Jodie Oval Slimline Ceramic Above Counter Basin

- Vitreous China
- Rear of basin IS glazed and enclosed for mirror installation
- 500W x 380D x 120H
- 5 Year Replacement Warranty
- 1 Year Labour

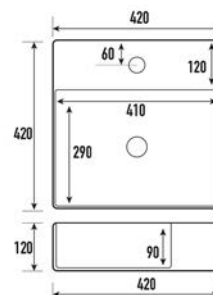
Code	ex GST	inc GST
JODVB	\$199.09	\$219



Romeo 420 Ceramic Slimline Fully Glazed Back Ceramic Above Counter Basin with Overflow

- Vitreous China
- 420W x 420D x 120H
- Can NOT be wall hung
- Rear of basin is glazed and enclosed for mirror installation
- 32mm Non overflow waste required

Code	ex GST	inc GST
ROME0VB	\$199.09	\$219

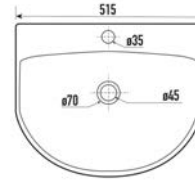


White Gloss Wall Hung Basins / Above Counter Basins

Cura Care Wall Hung Slimline Ceramic Basin with Overflow

- Vitreous China 1TH
- 515W x 430D
- 5 Year Product Replacement Warranty
- 1 Year Labour Warranty
- Comes with wall fixing bolts
- 32mm Overflow waste required

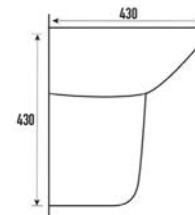
Code	ex GST	inc GST
CURACBW	\$226.36	\$249



Cura Care Ceramic Shroud

- Vitreous China
- Bolts included
- 5 Year Product Replacement Warranty
- 1 Year Labour Warranty

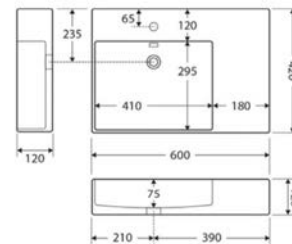
Code	ex GST	inc GST
CURACASH	\$131.82	\$145



Riviera Ceramic Wall Hung Shelf Basin with Overflow

- Manufactured from Vitreous China
- 600W x 400D x 120H
- 32mm overflow waste required
- Wall bolts supplied
- 1 tap hole

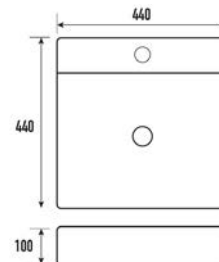
Code	ex GST	inc GST
RIVSHWHB-LHB (left hand bowl)	\$362.73	\$399
RIVSHWHB-RHB (right hand bowl)	\$362.73	\$399



Mini Madrid Basin & Madrid Basin Wall Hung/Above Counter Ceramic Basin

- Vitreous China 1TH
- 440W x 340D x 100H
- 440W x 440D x 100H
- Can be wall hung
- Rear of basin IS NOT glazed and enclosed for mirror installation
- Wall bolts **NOT** included
- 5 Year Product Replacement Warranty
- 1 Year Labour Warranty
- 32mm Non overflow waste required

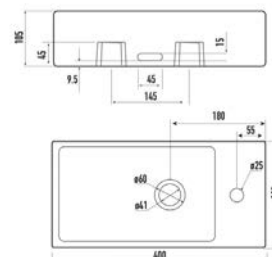
Code	ex GST	inc GST
MINIMADSQVB	\$180.91	\$199
MADSQVB	\$199.09	\$219



Minimo Mini Ceramic Wall Basin

- Vitreous China 1TH
- 440W x 340D x 105H
- One Tap Hole
- Wall Fixing Bolts included
- Gloss White
- Right Hand Tap Hole Only
- 5 Year Product Replacement Warranty
- 1 Year Labour Warranty
- 32mm Waste Not Included

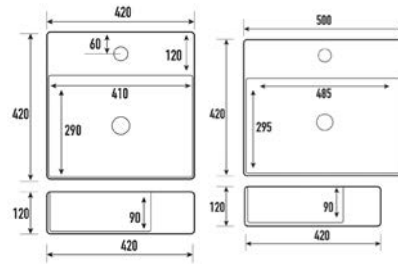
Code	ex GST	inc GST
MINIWB	\$180.91	\$199



Riviera 420/500 Ceramic Wall Hung Above Counter Basin with Overflow

- Vitreous China 1TH
- 420W x 420D x 120H
- 500W x 420D x 120H
- Rear of basin IS NOT glazed and enclosed for mirror installation
- **Wall hung or countertop basin**
- Wall bolts **NOT** included
- 5 Year Product Replacement Warranty
- 1 Year Labour Warranty
- 32mm Overflow waste required

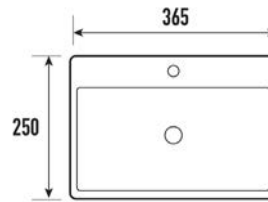
Code	ex GST	inc GST
RIV420VB	\$199.09	\$219
RIV500VB	\$226.36	\$249
DRILLCHARGE (3 TH)		\$50



Riviera Mini Ceramic Wall Hung/Above Counter Basin

- Vitreous China 1TH
- 365W x 250D
- **Wall hung or countertop basin**
- Wall bolts **NOT** included
- Rear of basin IS NOT glazed and enclosed for mirror installation
- 5 Year Product Replacement Warranty
- 1 Year Labour Warranty
- 32mm Non overflow waste required

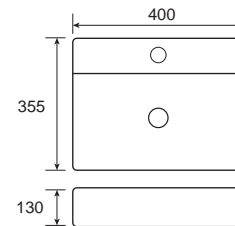
Code	ex GST	inc GST
RIVMINIVB	\$180.91	\$199



Riviera Maxi Ceramic Wall Hung Above Counter Basin with Overflow

- Vitreous China 1TH
- 400W x 355D x 130H
- **Wall hung or countertop basin**
- Wall bolts **NOT** included
- Rear of basin IS NOT glazed and enclosed for mirror installation
- 5 Year Product Replacement Warranty
- 1 Year Labour Warranty
- 32mm Non overflow waste required

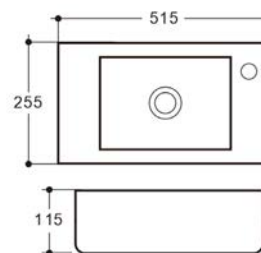
Code	ex GST	inc GST
RIVMAXIVB	\$199.09	\$219



Toni Wall Hung Ceramic Basin with Overflow

- Vitreous China 1TH
- 515W x 255D x 115H
- Comes with wall fixing bolts
- 5 Year Product Replacement Warranty
- 1 Year Labour Warranty
- Right hand tap only
- 32mm Overflow waste required

Code	ex GST	inc GST
TONIWB	\$180.91	\$199

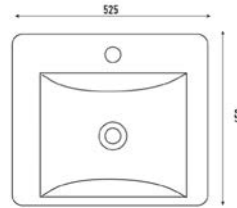


NOUIWP-AH

Belinda Rectangle Drop In Ceramic basin with Overflow

- Vitreous China
- 525W x 450D
- 5 Year Product Replacement Warranty
- 1 Year Labour Warranty
- 32mm Overflow waste required

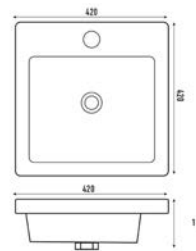
Code	ex GST	inc GST
BELSQVB	\$226.36	\$249
LLCHARGE (3 TH)		\$50



Bianca Square Drop In Ceramic Basin with Overflow

- Vitreous China
- 420W x 420D
- 5 Year Product Replacement Warranty
- 1 Year Labour Warranty
- 32mm Overflow waste required

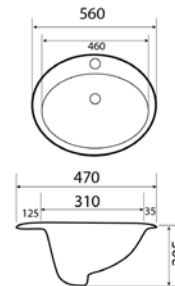
Code	ex GST	inc GST
BISQVB	\$190	\$209
LLCHARGE (3 TH)		\$50



Sarah Oval Drop In Ceramic Basin with Overflow

- Vitreous China
- 560W x 470D x 205H
- 5 Year Product Replacement Warranty
- 1 Year Labour Warranty
- 32mm Overflow waste required

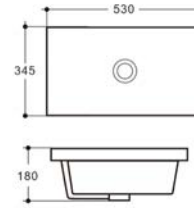
Code	ex GST	inc GST
SARQVB	\$135.45	\$149



Sotto Ceramic Undermount Basin with Overflow

- Vitreous China
- 530W x 335D x 180H (30mm edge)
- 5 Year Product Replacement Warranty
- 1 Year Labour Warranty
- 32mm Overflow waste required

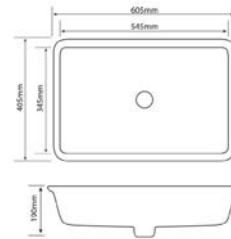
Code	ex GST	inc GST
SOTUMVB	\$180.91	\$199



Garda 12 Litre Undermount Ceramic Basin with Overflow

- Vitreous China
- 605W x 405D x 190H
- 12 Litre basin capacity to overflow
- 30mm Edge
- 32mm overflow waste required
- Gloss White
- 5 Year Product Replacement Warranty
- 1 Year Labour Warranty

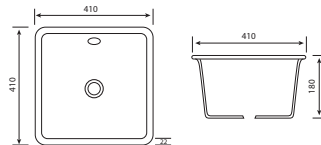
Code	ex GST	inc GST
GARDAVB	\$226.36	\$249



Piazza Square Ceramic Undermount Basin with Overflow

- Vitreous China
- 460W x 325D x 140H
- 5 Year Product Replacement Warranty
- 1 Year Labour Warranty
- 32mm Non overflow waste required

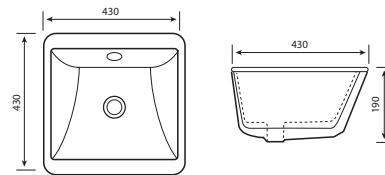
Code	ex GST	inc GST
PIAUMVB	\$190	\$209



Orta Undermount Basin

- Vitreous China
- 430W x 430D x 140H
- 5 Year Product Replacement Warranty
- 1 Year Labour Warranty
- 32mm Non overflow waste required

Code	ex GST	inc GST
ORTUMVB	\$226.36	\$249

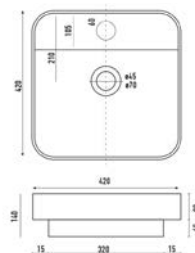


White Gloss Semi Inset Basins

Madonna Inset Basin

- Vitreous China 1TH
- 420W x 420D x140H
- 60mm lip
- Rear of basin is glazed and enclosed for mirror installation
- 5 Year Product Replacement Warranty
- 1 Year Labour Warranty
- 32mm non overflow waste required

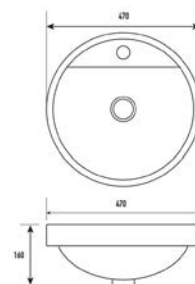
Code	ex GST	inc GST
MADOIB	\$226.36	\$249



Simone Inset Basin with Overflow

- Vitreous China 1TH
- 470mm diameter x 80H lip
- Rear of basin is glazed and enclosed for mirror installation
- 5 Year Product Replacement Warranty
- 1 Year Labour Warranty
- 32mm Overflow waste required

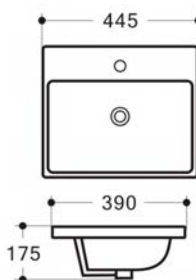
Code	ex GST	inc GST
SIMIB	\$226.36	\$249



Elva Semi Inset Basin with Overflow

- Vitreous China
- 445W x 390D x 175H
- 65mm lip
- Rear of basin is glazed and enclosed for mirror installation
- 32mm Overflow waste required
- Gloss White
- 5 Year Product Replacement Warranty
- 1 Year Labour Warranty

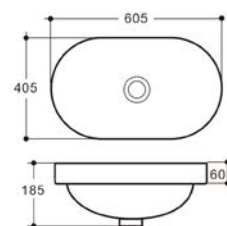
Code	ex GST	inc GST
ELVSIVB	\$226.36	\$249



Positano Inset Basin with Overflow

- Vitreous China
- 605W x 405D x 185H
- 60mm lip
- 5 Year Product Replacement Warranty
- 1 Year Labour Warranty
- 32mm overflow waste required

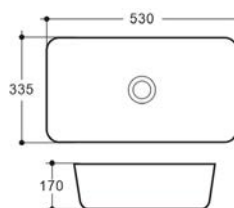
Code	ex GST	inc GST
POSINSET	\$226.36	\$249



Shania Inset Basin

- Vitreous China
- 530W x 335D x 170H
- 70mm lip
- 5 Year Product Replacement Warranty
- 1 Year Labour Warranty
- 32mm Non overflow waste required

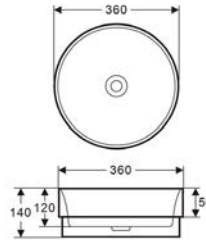
Code	ex GST	inc GST
SHAINVB	\$226.36	\$249



Siera Inset Round Basin White

- Vitreous China 1TH
- 360Ø x 140H (round)
- 55mm LIP
- Also available in Matte White and Matte Black
- 5 Year Product Replacement Warranty
- 1 Year Labour Warranty
- 32mm Non overflow waste required

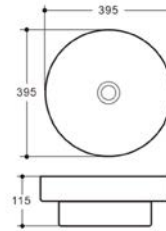
Code	ex GST	inc GST
SIESIVB	\$226.36	\$249



Thames Semi Inset Round Basin White

- Vitreous China
- 395Ø x 115H (round)
- 70mm LIP
- Also available in Matte White and Matte Black
- 5 Year Product Replacement Warranty
- 1 Year Labour Warranty
- 32mm Non overflow waste required
- Can be used as vessel basin or inset basin

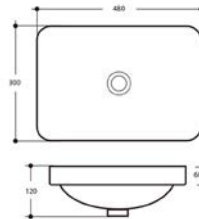
Code	ex GST	inc GST
THASIVB	\$226.36	\$249



Urbino Inset Basin

- Vitreous China
- 480W x 300D x 120H
- 60mm lip
- 32mm Non overflow waste required
- 5 Year Product Replacement Warranty
- 1 Year Labour Warranty

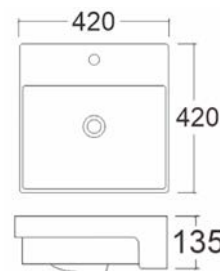
Code	ex GST	inc GST
URBINSET	\$226.36	\$249



Riviera 420 Semi Recessed Basin

- Vitreous China 1TH
- 420W x 420L
- Rear of basin is glazed and enclosed for mirror installation
- 5 Year Product Replacement Warranty
- 1 Year Labour Warranty
- 32mm overflow waste required

Code	ex GST	inc GST
RIV420SRB	\$226.36	\$249



Uni-Pop Pop-up Waste Chrome/Black/Brushed Nickel

- Universal to suit with or without overflow basins
- Multifit 32mm top with 40mm base
- Chrome plated solid brass, Matte Black, Brushed Nickel, Gunmetal or Champagne Gold
- 7 year product replacement only
- 2 year warranty on black finish

Code	ex GST	inc GST
UNIPOP-CH	\$35.45	\$39
UNIPOP-BL	\$44.54	\$49
UNIPOP-NI	\$44.54	\$49
UNIPOP-GM	\$53.63	\$59
UNIPOP-GO	\$53.63	\$59



Ceramic Cap - To Only Suit Unipop Waste

Code	ex GST	inc GST
CWC-GW Gloss White Ceramic Cap	\$31.82	\$35
CWC-MW Matte White Ceramic Cap	\$31.82	\$35
CWC-MG Matte Grey Ceramic Cap	\$31.82	\$35
CWC-MB Matte Black Ceramic Cap	\$31.82	\$35



Bottle Traps

Code	ex GST	inc GST
MILBT Milan Bottle trap (Chrome)	\$99.09	\$109
MILBT-B Milan Bottle Trap (Black)	\$126.36	\$139
MILBT-NI Milan Bottle Trap (Brushed Nickel)	\$150	\$165
MILBT-GM Milan Bottle Trap (Gunmetal)	\$177.27	\$195



TOILETS



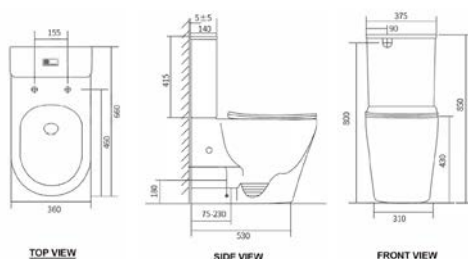
Castano

Toilet Warranty

- 20 year on vitreous china product replacement only
- 5 year on UV resistance product replacement only
- 3 year internal value product replacement only
- 1 year product replacement and labour (does not cover loose seat)

NOUVO Wall Faced Rimless Tornado Flush Toilet Suite

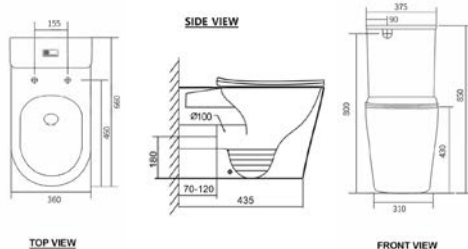
- 660D x 375W x 850H S-Trap : 75-180mm (Included inside pan box)
- P-trap : 180mm Rough-in
- For Ambulant height thick seat please use code NOUWFPW-AH
- Hygenic Nano-glaze protection
- Optional button & cap colours (Stainless supplied as standard)
- MatteBlack/Brushed Nickel/Gunmetal/Brushed Gold
- Cistern is set up for Left top rear inlet and right hand bottom inlet (can be changed by plumber to bottom left hand inlet)
- Quiet whirlpool flush design
- Smooth rimless interior and sleek exterior designs
- UF quick release soft close seat
- R&T flush mechanism
- Stainless steel hinges
- Includes floor mounting screws
- 3.5L Average Flush



Code	ex GST	inc GST
NOUWFPW	\$726.36	\$799

NOUVO Ambulant Height Wall Faced Rimless Tornado Flush Toilet Suite

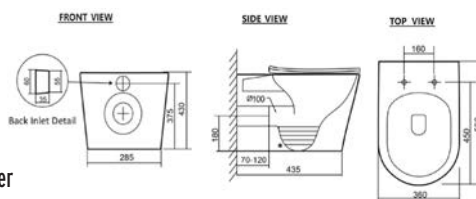
- 660D x 375W x 850H S-Trap : 75-180mm (Included inside pan box)
- P-trap : 180mm Rough-in
- Thick PP seat supplied to reach ambulant height
- Hygenic Nano-glaze protection
- Optional button colours only (Stainless supplied as standard)
- Matte Black/Brushed Nickel/Gunmetal/Brushed Gold
- Cistern is set up for Left top rear inlet and right hand bottom inlet (can be changed by plumber to bottom left hand inlet)
- Quiet whirlpool flush design
- Smooth rimless interior and sleek exterior designs
- R&T flush mechanism
- Stainless steel hinges
- Includes floor mounting screws
- 3.5L Average Flush



Code	ex GST	inc GST
NOUWFPW-AH	\$744.55	\$819

NOUVO Tornado Rimless Wall Faced Pan Only

- 560D x 360W x 430H
- Smooth rimless interior and sleek exterior designs
- UF quick release soft close seat
- Optional cap colours (Stainless supplied as standard)
- Matte Black/Brushed Nickel/Gunmetal/Brushed Gold
- Quiet whirlpool flush design
- Product Warranty-For warranty protection use a licensed plumber
- 20 Years Warranty on Ceramic
- 1 Years product replacement on parts
- Includes floor mounting screws
- Gloss White finish



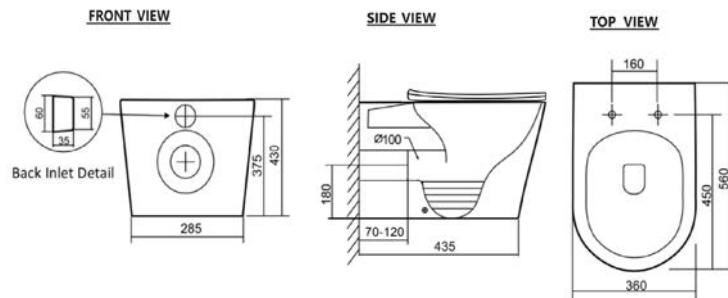
Code	ex GST	inc GST
NOUIWP	\$544.55	\$599

NOUVO Ambulant Height Tornado Rimless Wall Faced Pan Only

- 560D x 360W x 430H
- Smooth rimless interior and sleek exterior designs
- Thick PP seat supplied to reach ambulant height
- Stainless Steel Cap colour only
- Quiet whirlpool flush design
- Product Warranty-For warranty protection use a licensed plumber
- 20 Years Warranty on Ceramic
- 1 Years product replacement on parts
- Stainless steel hinges
- Includes floor mounting screws
- Gloss White finish



Code	ex GST	inc GST
NOUIWP-AH	\$562.73	\$619

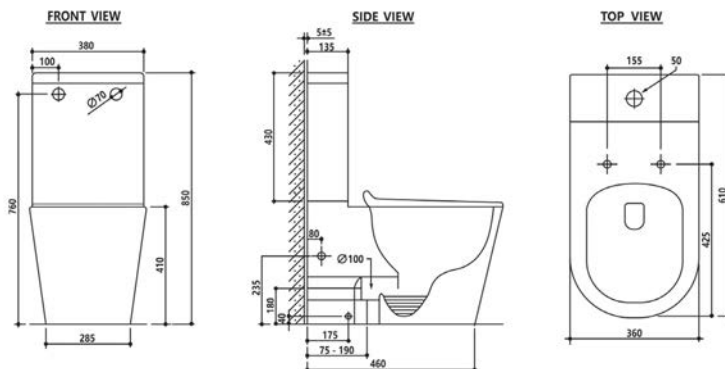


AMALFI Rimless Short projection Wall Faced Toilet Suite with slimline UF Seat and vario bend Back Inlet/bottom inlet

- 610D x 350W x 850H mm
- S-Trap : 75-190mm (Included inside pan box)
- P-trap : 180mm Rough-in
- Hygenic Nano-glaze protection
- Quiet whirlpool flush design
- Smooth rimless interior and sleek exterior designs
- UF quick release soft close seat
- Optional button & cap colours (Chrome supplied as standard)
- Matte Black/Brushed Nickel/Gunmetal/Brushed Gold
- R&T flush mechanism
- Stainless steel hinges
- Includes floor mounting screws

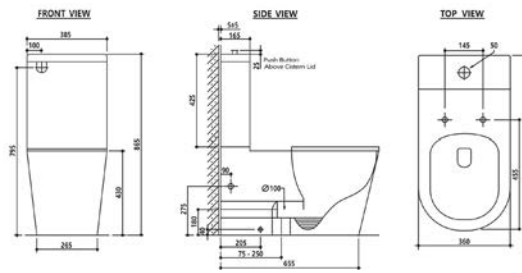


Code	ex GST	inc GST
AMAWFPW	\$544.55	\$599



Cara Care Back To Wall Rimless Toilet Suite

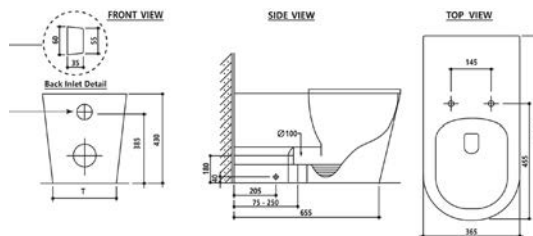
- Cara Care Back To Wall Rimless Toilet Suite
- 800D x 865W x 430H mm
- 3.5L Average Flush
- Color Of Button and Seat: Grey
- S-trap:75-250 mm
- P-trap:180 mm



Code	ex GST	inc GST
CS-6098	\$1362.73	\$1499

Cara Inwall Care 800 Pan with Grey Seat and Pan Adaptor (optional cistern with care button)

- Cara Care Back To Wall Rimless Toilet Suite
- 800D x 865W x 430H mm
- 3.5L Average Flush
- S-trap:75-250 mm
- P-trap:180 mm



Code	ex GST	inc GST
CS-6078 Pan Only	\$1090	\$1199
CS-6078WH Pan and cistern an button package	\$2180.91	\$2399

Nouvo/Amalfi Flush Button Assembly & Matching Hinge Covers

- 2 year warranty
- Available in Black, Brushed Nickel, Gunmetal or Champagne Gold

Code	ex GST	inc GST
NFBA-B+NSH-B Nouvo/Amalfi flush button assembly and seat hinge covers - Matte Black	\$95.45	\$105
NFBA-NI Nouvo/Amalfi flush button assembly only (already comes with covers) - Brushed Nickel	\$95.45	\$105
NFBA-GM+NSH-GM Nouvo/Amalfi flush button assembly and seat hinge covers - Gunmetal	\$95.45	\$105
NFBA-GO+NSH-GO Nouvo/Amalfi flush button assembly and seat hinge covers - Brushed Gold	\$95.45	\$105



Geberit Sigma 8 Inwall Cistern

- WELS 4 Star 3.5 L/3L average flush
- 15 Year warranty
- Suitable for S or P trap back to wall pans
- Fits standard 90mm walls
- Made in Germany

Code	ex GST	inc GST
GSIG8IWC	\$499	\$549



■ GEBERIT

Geberit Sigma 20 Round Button

- 2 year warranty
- Available in Chrome/Matte Chrome (115.882.KH.1)
- Available in Matte Black (115.882.16.1)
- Available in Matte White (115.882.01.1)

Code	ex GST	inc GST
GSIG20RB-C	\$244.55	\$269
GSIG20RB-MB	\$244.55	\$269
GSIG20RB-MW	\$244.55	\$269



■ GEBERIT

Geberit Sigma 30 Square Button

- 2 year warranty
- Available in Chrome/Matte Chrome (115.883.KH.1)
- Available in Matte Black(115.883.16.1)
- Available in Matte White(115.883.01.1)

Code	ex GST	inc GST
GSIG30SB-C	\$244.55	\$269
GSIG30SB-MB	\$244.55	\$269
GSIG30SB-MW	\$244.55	\$269



■ GEBERIT

R&T Inwall Cistern with Brackets

Code	ex GST	inc GST
G30032	\$417.27	\$459



R&T Sensor Inwall Cistern with Glass Sensor Button (special order)

Code	ex GST	inc GST
G30032GY	\$1362.73	\$1499



R&T ABS or Stainless Button Round

• 2 year warranty

Code		ex GST	inc GST
G3004111D	R&T Chrome ABS button round	\$208.18	\$229
G3004111H	R&T Matt Black ABS button round	\$208.18	\$229
G3004111WH	R&T Matt White ABS button round	\$208.18	\$229
G3004118BN	R&T Stainless/Brushed Nickel round	\$317.27	\$349
G3004118GM	R&T Brushed Gunmetal Stainless round	\$317.27	\$349
G3004118BG	R&T Brushed Champagne Gold Stainless round	\$317.27	\$349



ABS Design

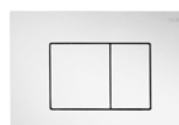


Stainless Design

R&T ABS or Stainless Button Square

• 2 year warranty

Code		ex GST	inc GST
G3004109D	R&T Chrome ABS button square	\$208.18	\$229
G3004109H	R&T Matt Black ABS button square	\$208.18	\$229
G3004109WH	R&T Matt White ABS button square	\$208.18	\$229
G31000121BN	R&T Stainless/Brushed Nickel square	\$317.27	\$349
G31000121GM	R&T Brushed Gunmetal Stainless square	\$317.27	\$349
G31000121BG	R&T Brushed Champagne Gold Stainless square	\$317.27	\$349



ABS Design



Stainless Design

Positano Vario Bend

- 2 year warranty
- Suits Napoli inwall & Positano inwall suites 45mm to 55mm
- Suits Positano and Siera wall faced suites 90-180mm

Code	ex GST	inc GST
POSCOL	\$62.73	\$69



Napoli Vario Bend

- 2 year warranty
- Suits Napoli inwall & Positano inwall suites 100mm
- Suits Positano and Siera wall face suites 100-180mm

Code	ex GST	inc GST
NAPCOL	\$62.73	\$69



Siera Extended Vario Bend

- 2 year warranty
- Suits Siera suite 140mm to 220mm
- Suits Napoli inwall & Positano inwall suites 135mm to 145mm
- Suits Positano suite 140mm to 200mm
- Suits Rossi wall face suite 140 to 180mm

Code	ex GST	inc GST
SIEXCOL	\$62.73	\$69



UFSEAT for Nouvo & Amalfi (UF seat)

- 5 year UV resistance warranty
- Easy to clean
- Push button quick release
- Hard ceramic look (UF seat)
- High scratch resistance (UF seat)
- Easy to clean (UF seat)
- Soft & Comfortable PP seat

Code	ex GST	inc GST
NOUSEAT (UF Slimline seat)	\$80	\$88
AMASEAT (UF seat)	\$80	\$88
AMBSEAT (PP Ambulant seat)	\$80	\$88



R&T rear Inlet Valve for Nouvo & Amalfi Toilets

- 2 year warranty

Code	ex GST	inc GST
RTIV	\$36.36	\$40



R&T Outlet Valve for Nouvo & Amalfi Toilets

- 2 year warranty

Code	ex GST	inc GST
ROTV	\$90	99



TAPWARE & SHOWERS

Castano

Capri 35mm Wall Mixer or Shower Diverter Chrome

- 35mm cartridge
- 1/2 turn ceramic disc diverter
- 7 year warranty on cartridge
- 1 year parts and labour

Code	ex GST	inc GST
CAWAC35 (Mixer)	\$90	\$99
CAWDIC35 (Diverter)	\$144.55	\$159



Capri 35mm Swivel Basin Mixer Chrome

- 35mm cartridge
- 7 year warranty on cartridge
- 1 year parts and labour
- 10 years on flexible tails, product replacement only
- 2 pin fixing kit
- PEX tails
- 4 stars 7L/Min

Code	ex GST	inc GST
CABAC35	\$99.09	\$109



Capri 35mm Fixed Basin Mixer Chrome

- 35mm cartridge
- 7 year warranty on cartridge
- 1 year parts and labour
- 10 years on flexible tails, product replacement only
- 2 pin fixing kit
- PEX tails
- 5 stars 6.0L/Min

Code	ex GST	inc GST
CAF BMC35	\$99.09	\$109



Capri 35mm Sink Mixer Chrome

- 35mm cartridge
- 7 year warranty on cartridge
- 1 year parts and labour
- 10 years on flexible tails, product replacement only
- 2 pin fixing kit
- PEX tails
- 4 stars 7L/Min

Code	ex GST	inc GST
CASIC35	\$99.09	\$109



Capri 35mm CARE Wall Mixer Chrome

- 35mm cartridge
- 1/2 turn ceramic disc diverter
- 7 year warranty on cartridge
- 1 year warranty on parts and labour

Code	ex GST	inc GST
CAWAC35-CARE (Mixer)	\$135.45	\$149
CAWDIC35-CARE (Diverter)	\$190	\$209



Capri 35mm CARE Swivel Basin Mixer Chrome

- 35mm cartridge
- 7 year warranty on cartridge
- 1 year parts and labour
- 10 years on flexible tails, product replacement only
- 2 pin fixing kit
- PEX tails
- 4 stars 7L/Min

Code	ex GST	inc GST
CABAC35-CARE	\$144.55	\$159



Capri 35mm CARE Fixed Basin Mixer Chrome

- 35mm cartridge
- 7 year warranty on cartridge
- 1 year parts and labour
- 10 years on flexible tails, product replacement only
- 2 pin fixing kit
- PEX tails
- 5 stars 6.0L/Min

Code	ex GST	inc GST
CAFBMC35-CARE	\$144.55	\$159



Capri 35mm CARE Sink Mixer Chrome

- 35mm cartridge
- 7 year warranty on cartridge
- 1 year parts and labour
- 10 years on flexible tails, product replacement only
- 2 pin fixing kit
- PEX tails
- 4 stars 7L/Min

Code	ex GST	inc GST
CASIC35-CARE	\$144.55	\$159



Capri 35mm CARE Handle Chrome

- 35mm handle suits Capri35/Milan/Siera
- 1 year parts and labour
- Suits Capri 35mm/Milan/Siera/Elba

Code	ex GST	inc GST
CADISHC35	\$44.55	\$49



Milan Pin Lever Wall Mixer or Shower Diverter Chrome

- 35mm cartridge
- Also available as a Shower Diverter Mixer
- 1/2 turn ceramic disc diverter
- 15 year warranty on cartridge
- 2 year warranty parts and labour

Code	ex GST	inc GST
MIWAC (Mixer)	\$104.55	\$115
MISDIC2 (Diverter)	\$136.36	\$150



Milan 'reverse' Pin Lever Wall Mixer Chrome

- 35mm cartridge
- 15 year warranty on cartridge
- 2 year warranty parts and labour

Code	ex GST	inc GST
MIWAREVC	\$104.55	\$115



Milan Round Wall & Spout Mixer Chrome '6 STAR RATED'

- 35mm cartridge
- 5 stars 6L/Min
- 6 star options available
- Reverse handle option available
- Spout length 205mm
- 15 year warranty on cartridge
- 2 year warranty parts and labour

Code	ex GST	inc GST
MIWBS6S	\$244.55	\$269



Milan Wall Bend Spout and Mixer Chrome

- 35mm cartridge
- 5 stars 6L/Min
- 6 star options available
- Reverse handle option available
- Spout length 205mm
- 15 year warranty on cartridge
- 2 year warranty parts and labour

Code	ex GST	inc GST
MIBSWBSC	\$244.55	\$269



Milan Wall Bend Spout with 60mm Plates & Wall Mixer Chrome

- 35mm cartridge
- Matching 60mm round cover plates
- 5 stars 6L/Min
- Reverse handle option available
- 6 star options available
- Spout length 205mm
- 15 year warranty on cartridge
- 2 year warranty parts and labour

Code	ex GST	inc GST
MIBSWB60C	\$244.55	\$269



Milan Round Pin Lever Basin Mixer Chrome '6 STAR RATED'

- 35mm cartridge
- 50mm & 100mm extensions available to adjust height
- 15 year warranty on cartridge
- 2 year warranty parts and labour
- 10 years on flexible tails, product replacement only
- 6 stars 4L/Min
- PEX tails

Code	ex GST	inc GST
MIBAC6S	\$145.45	\$160



Milan Pin Lever Curved Spout Basin Mixer

- 35mm cartridge
- 50mm & 100mm extensions available to adjust height
- 15 year warranty on cartridge
- 2 year warranty parts and labour
- 10 years on flexible tails, product replacement only
- PEX tails
- 6 stars 4.0L/Min

Code	ex GST	inc GST
MICUBAC	\$145.45	\$160



Milan Basin Mixer Extension Chrome

- Used to create Hi-Rise Tower basin mixer
- Mixer extension with Connector rod and copper extensions
- Available as 50mm or 100mm mixer extension
- Suitable for MIBAC, MICUBAC, MIMIRUBAC, MIMIRUSIC

Code	ex GST	inc GST
MIL50SP	\$45.45	\$50
MIL100SP	\$54.55	\$60



Milan Pin Lever Round Neck Gooseneck Sink Mixer Chrome 6 STAR RATED

- 35mm cartridge
- 15 year warranty on cartridge
- 2 year warranty parts and labour
- 10 years on flexible tails, product replacement only
- PEX tails
- 4 stars 7L/Min

Code	ex GST	inc GST
MIGNSIC6S	\$199.09	\$219



Milan Pin Lever Suared Neck Gooseneck Sink mixer Chrome 6 STAR RATED

- 35mm cartridge
- 15 year warranty on cartridge
- 2 year warranty parts and labour
- 10 years on flexible tails, product replacement only
- PEX tails
- 4 stars 7L/Min

Code	ex GST	inc GST
MISGNSC	\$199.09	\$219



Milan Thick Round/Straight Bend Bath Spout Chrome

- Spout length 200mm
- Straight Thick spout length 200mm
- 10 year product replacement only

Code	ex GST	inc GST
MILBSC	\$95.45	\$105
MILBBSC	\$95.45	\$105



Milan Round Swivel 250mm Bath Spout Chrome

- Spout length 250mm
- 230mm to aerator
- 10 year product replacement only

Code	ex GST	inc GST
MISWBSC	\$95.45	\$105



Milan 300mm Ceiling Mounted Arm Chrome

- Arm length 300mm
- 10 year product replacement only

Code	ex GST	inc GST
MILCA300	\$53.64	\$59



Milan Round Upswept Shower Arm Chrome

- 10 year product replacement only
- 310mm height x 350mm reach

Code	ex GST	inc GST
MIWMUPSA	\$126.36	\$139



Milan Round 400mm Wall Mounted Arm Chrome

- 10 year product replacement only
- 82mm height x 400mm reach

Code	ex GST	inc GST
MWMSA	\$95.45	\$105



Milan Round Thin 4mm 200mm/250mm/300mm Shower Head Chrome

- 200mm Polished Stainless Steel (4mm thick)
- 250mm Polished Stainless Steel (4mm thick)
- 300mm Polished Stainless Steel (4mm thick)
- 10 year product replacement only
- 4 stars 7.0L/Min (MISHTH200)

Code	ex GST	inc GST
MISHTH200	\$144.55	\$159
MISHTH250	\$199.09	\$219
MISH300	\$177.27	\$259



Milan Round Shower on Rail Chrome

- Metal fixing posts
- Adjustable posts for retro fitting
- 5 stars 6.0L/Min
- 3 function ABS handpiece
- 10 year product replacement only
- 1 year hose product replacement only
- 1 year labour

Code	ex GST	inc GST
MISORC	\$180.91	\$199





Milan Round Twin Shower on Rail Chrome 250mm Head

- Top water diverter entry
- 3 function ABS handpiece
- Adjustable bottom post
- 4 stars 8.5L/Min
- 250mm Showerhead
- 10 year product replacement only
- 1 year hose product replacement only
- 1 year labour
- Also Available as 200mm Head Model MITWSOR200-C

Code	ex GST	inc GST
MITWSORC	\$522.73	\$575
MITWSOR200-C	\$495.45	\$545

Milan CARE Pin Lever Wall Mixer or Shower Diverter Chrome

- 35mm cartridge
- 160mm Handle
- Also available as a Shower Diverter Mixer
- 1/2 turn ceramic disc diverter
- 15 year warranty on cartridge
- 2 year warranty parts and labour

Code	ex GST	inc GST
MIWAC-CARE (Mixer)	\$177.27	\$195
MISDIC2-CARE (Diverter)	\$208.18	\$229



Milan CARE Basin Mixer Chrome 6 STAR RATED

- 35mm cartridge
- 160mm Handle
- 15 year warranty on cartridge
- 2 year warranty parts and labour
- 5 stars 5.5L/Min
- PEX tails

Code	ex GST	inc GST
MIBAC6S-CARE	\$190	\$209



Milan CARE Wall & Bend Spout Mixer 60mm Plate Chrome

- 35mm cartridge
- 160mm Handle
- 15 year warranty on cartridge
- 2 year warranty parts and labour
- 5 stars 6.0L/Min
- Spout length 205mm

Code	ex GST	inc GST
MIBSWBS60C-CARE	\$299.09	\$329



Milan CARE Gooseneck Sink Mixer Chrome

- 35mm cartridge
- 160mm Handle
- 15 year warranty on cartridge
- 2 year warranty parts and labour
- 4 stars 7.0L/Min
- PEX tails

Code	ex GST	inc GST
MIGNSIC-CARE	\$253.64	\$279



Milan CARE Handle Chrome

- 160mm Handle
- MIDISHC-CARE to suit wall/basin/sink mixer (SISIC)
- MIDISHSINK-CARE to suit gooseneck sink mixer
- 2 year warranty

Code	ex GST	inc GST
MIDISHC-CARE (wall/basin)	\$90	\$99
MIDISHSINK-CARE (sink)	\$90	\$99



Milan Pin Lever Wall Mixer or Shower Diverter Black

- 35mm cartridge
- 1/2 turn ceramic disc diverter
- Matte Black finish
- 2 year warranty parts and labour
- 2 year warranty on Black finish

Code	ex GST	inc GST
MIWAC-B (Mixer)	\$122.73	\$135
MISDIC2-B (Diverter)	\$172.73	\$190



Milan 'Reverse' Pin Lever Wall Mixer Black

- 35mm cartridge
- Matte Black finish
- 15 year warranty on cartridge
- 2 year warranty parts and labour
- 2 year warranty on Black finish

Code	ex GST	inc GST
MIWAREVC-B	\$122.73	\$135



Milan Pin Lever Wall & Spout Mixer Black

- 35mm cartridge
- 5 stars 6L/Min
- Matte Black finish
- Spout length 205mm
- 15 year warranty on cartridge
- 2 year warranty parts and labour
- 2 year warranty on Black finish

Code	ex GST	inc GST
MIWBSC-B	\$268.18	\$295



Milan Pin Lever Wall & Bend Spout Mixer Black

- 35mm cartridge
- 5 stars 6L/Min
- Matte black finish
- Spout length 205mm
- 15 year warranty on cartridge
- 2 year warranty parts and labour
- 2 year warranty on Black finish

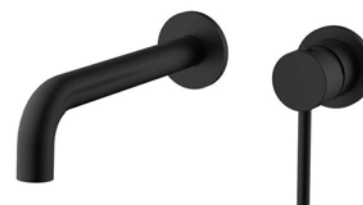
Code	ex GST	inc GST
MIBSWBS-B	\$268.18	\$295



Milan Wall Bend Spout with 60mm Plates & Wall Mixer Black

- 35m 6L/Min
- 5 stars 6L/Min
- Matching 60mm round cover plates
- Matte black finish
- Spout length 205mm
- 15 year warranty on cartridge
- 2 year warranty parts and labour
- 2 year warranty on Black finish

Code	ex GST	inc GST
MIBSWBS60-B	\$268.18	\$295



Milan Round Pin Lever Basin Mixer Black '6 STAR RATED'

- 35mm cartridge
- 50mm & 100mm extensions available to adjust height
- 15 year warranty on cartridge
- 2 year warranty parts and labour
- 10 years on flexible tails, product replacement only
- Matte Black finish
- 6 stars 4L/Min
- PEX tails

Code	ex GST	inc GST
MIBAC6S-B	\$159	\$175



Milan Basin Mixer Extension Black

- Used to create Hi-Rise Tower basin mixer
- Mixer extension with Connector rod and copper extensions
- Available as 50mm or 100mm mixer extension
- Suitable for MIBA-B, MICUBA-B

Code	ex GST	inc GST
MIL50SP-B	\$54.55	\$60
MIL100SP-B	\$63.64	\$70



Milan Pin Lever Round Neck Gooseneck Sink Mixer Black '6 STAR RATED'

- 15 year warranty on cartridge
- 2 year warranty parts and labour
- 2 year warranty on Black finish
- 10 years on flexible tails, product replacement only
- 35mm cartridge
- PEX tails
- 6 stars 4.5L/Min
- Matte Black finish

Code	ex GST	inc GST
MIGNSIC6S-B	\$227.27	\$250



Milan Pin Lever Square Neck Gooseneck Sink Mixer Black '6 STAR RATED'

- 15 year warranty on cartridge
- 2 year warranty parts and labour
- 2 year warranty on Black finish
- 10 years on flexible tails, product replacement only
- 35mm cartridge
- PEX tails
- 6 stars 4.5L/Min
- Matte Black finish

Code	ex GST	inc GST
MISGN-B	\$227.27	\$250



Milan Round Swivel 250mm Bath Spout Black

- Matte Black finish
- 10 year product replacement only
- 2 year warranty on Black finish

Code	ex GST	inc GST
MISWBSC-B	\$126.36	\$139



Milan 200mm Round Bend/Straight Thick Bath Spout Black

- Matte Black finish
- 10 year product replacement only
- 2 year warranty on Black finish
- 200mm Thick Spout

Code	ex GST	inc GST
MILBBS-B (Bent)	\$113.64	\$125
MILBSC-B (Straight)	\$113.64	\$125



Milan Round 300mm Ceiling Arm Black

- Matte Black finish
- 10 year product replacement only
- 2 year warranty on Black finish

Code	ex GST	inc GST
MILCA300-B	\$68.18	\$75



Milan Upswept Shower Arm Black

- Matte Black finish
- 10 year product replacement only
- 2 year warranty on Black finish

Code	ex GST	inc GST
MILUPSA-B	\$150	\$165



Milan Round Wall Mounted Shower Arm Black

- Matte Black finish
- 82mm height x 400mm reach (Mounted Shower Arm) MWMSA400-BL
- 10 year product replacement only
- 2 year warranty on Black finish

Code	ex GST	inc GST
MWMSA400-BL	\$108.18	\$119



Milan 200mm/250mm/300mm Shower Head Black

- Matte Black finish
- 10 year product replacement only
- 2 year warranty on Black finish
- Black rubber nipples

Code	ex GST	inc GST
MISHTH200-B	\$171.82	\$189
MISHTH250-B	\$226.36	\$249
MISHTH300-B	\$271.82	\$299



Milan Round Shower on Rail Black

- Matte Black finish
- Black rubber nipples
- Metal fixing posts
- Adjustable post for retro fitting
- 5 stars 6.0L/Min
- 3 function ABS handpiece
- 10 year product replacement only
- 2 year warranty on Black finish
- 1 year hose product replacement only
- 6 star option available

Code	ex GST	inc GST
MISOR-BL	\$226.36	\$249



Milan Round Twin Shower on Rail Black

- Matte Black finish
- 4 stars 8.5L/Min
- Black rubber nipples
- 250mm Showerhead
- ABS handpiece
- 3 function ABS handpiece
- Top water diverter entry
- 10 year product replacement only
- 2 year warranty on Black finish
- 1 year hose product replacement only

Code	ex GST	inc GST
MITWSOR200-B (200mm Head)	\$559.45	\$615
MITWSOR-B (250mm Head)	\$595.45	\$655



Milan CARE Wall Mixer Black

- 35mm cartridge
- 160mm Handle
- Also available as a Shower Diverter Mixer
- 1/2 turn ceramic disc diverter
- 15 year warranty on cartridge
- 2 year warranty parts and labour

Code	ex GST	inc GST
MIWAC-BCARE(Mixer)	\$195.45	\$215
MISDIC2-BCARE(Diverter)	\$226.36	\$249



Milan CARE Basin Mixer Black

- 35mm cartridge
- 160mm Handle
- 15 year warranty on cartridge
- 2 year warranty parts and labour
- 4 stars 8.5L/Min

Code	ex GST	inc GST
MIBAC6S-BCARE	\$200	\$220



Milan CARE Wall & Bend Spout Mixer 60mm Plate Black

- 35mm cartridge
- 160mm Handle
- 15 year warranty on cartridge
- 2 year warranty parts and labour

Code	ex GST	inc GST
MIBSWBS60-BCARE	\$317.27	\$349



Milan CARE Gooseneck Sink Mixer Black

- 35mm cartridge
- 160mm Handle
- 15 year warranty on cartridge
- 2 year warranty parts and labour

Code	ex GST	inc GST
MIGNSIC-BCARE	\$281.82	\$310



Milan CARE Handle Black

- 35mm cartridge
- 160mm Handle
- 15 year warranty on cartridge
- 2 year warranty parts and labour

Code	ex GST	inc GST
MIDISH-BCARE (wall/basin)	\$104.55	\$115
MIDISHSINK-BCARE (sink)	\$104.55	\$115



Milan Wall Mixer Brushed Nickel

- 35mm cartridge
- Brushed Nickel finish
- 2 year warranty on Nickel Finish

Code	ex GST	inc GST
MIWA-NI (Mixer)	\$136.36	\$150
MIWAREV-NI (Reverse)	\$136.36	\$150



Milan Basin Mixer & Extension Brushed Nickel

- 35mm cartridge
- 6 stars 4L/Min(MIBA6S-NI)
- Mixer extension with Connector rod and copper extensions
- 50mm or 100mm mixer extension (SOLD SEPERATELY)
- Suitable for MIBA6S-NI
- Brushed Nickel finish
- 15 year warranty on cartridge
- 2 year warranty parts and labour
- 2 year warranty on Nickel Finish

Code	ex GST	inc GST
MIBA6S-NI	\$172.73	\$190
MIL50SP-NI (50mm)	\$63.64	\$70
MIL100SP-NI (100mm)	\$72.73	\$80



Milan Wall & Spout Mixer Brushed Nickel

- 35mm cartridge
- 5 stars 6L/Min
- Brushed Nickel finish
- Spout length 205mm
- 15 year warranty on cartridge
- 2 year warranty parts and labour
- 2 year warranty on Nickel Finish

Code	ex GST	inc GST
MIWBS-NI	\$286.36	\$315



Milan Wall & Bend Spout Mixer Brushed Nickel

- 35mm cartridge
- 5 stars 6L/Min
- Brushed Nickel finish
- Spout length 205mm
- 15 year warranty on cartridge
- 2 year warranty parts and labour
- 2 year warranty on Nickel Finish

Code	ex GST	inc GST
MIBSWBS-NI	\$286.36	\$315



Milan 60mm Wall Plate & Bend Spout Mixer Brushed Nickel

- 35mm cartridge
- Matching 60mm round cover plates
- 5 stars 6L/Min
- Brushed Nickel finish
- Spout length 205mm
- 15 year warranty on cartridge
- 2 year warranty parts and labour
- 2 year warranty on Nickel Finish

Code	ex GST	inc GST
MIBSWBS60-NI	\$286.36	\$315



Milan 'Round' Gooseneck Sink Mixer Brushed Nickel '6 STAR RATED'

- 35mm cartridge
- PEX tails
- 5 stars 6.0L/Min
- Brushed Nickel finish
- 15 year warranty on cartridge
- 2 year warranty parts and labour
- 10 years on flexible tails, product replacement only
- 2 year warranty on Nickel Finish

Code	ex GST	inc GST
MIGNS16S-NI	\$245.45	\$270



Milan Swivel Bath Spout Brushed Nickel

- 10 year product replacement only
- 2 year warranty on Nickel Finish

Code	ex GST	inc GST
MISWBS-NI	\$181.82	\$200



Milan 200mm Round Straight Thick Bath Spout Brushed Nickel

- Matte Black finish
- 200mm Thick Spout
- 10 year product replacement only
- 2 year warranty on Black finish

Code	ex GST	inc GST
MILBS-NI	\$144.55	\$159



Milan 200mm Round Bend Thick Bath Spout Brushed Nickel

- Matte Black finish
- Available as 170mm or 230mm
- 10 year product replacement only
- 2 year warranty on Black finish
- 6 star option available

Code	ex GST	inc GST
MILBBS-NI	\$131.82	\$145



Milan 400mm Wall Shower Arm Brushed Nickel

- 10 year product replacement only
- 2 year warranty on Nickel Finish

Code	ex GST	inc GST
MWMSA-NI	\$126.36	\$139



Milan 200mm & 250mm Thin Shower Head Brushed Nickel

- 35mm cartridge
- 10 year product replacement only
- 4mm thin Stainless steel
- 2 year warranty on Nickel Finish

Code	ex GST	inc GST
MISHTH200-NI	\$186.36	\$205
MISHTH250-NI	\$244.54	\$269



Milan 300mm ceiling Mounted Arm Brushed Nickel

- 10 year product replacement only
- 2 year warranty on Nickel Finish

Code	ex GST	inc GST
MILCA300-NI	\$86.36	\$95



Milan Handshower On Rail Brushed Nickel

- Metal fixing posts
- Adjustable post for retro fitting
- 5 stars 6.0L/Min
- 3 function ABS handpiece
- 10 year product replacement only
- 2 year warranty on Nickel Finish
- 1 year hose product replacement only

Code	ex GST	inc GST
MISOR-NI	\$262.73	\$289



Milan Twin Shower On Rail Brushed Nickel

- 4 stars 8.5L/Min
- ABS handpiece
- Top water diverter entry
- 250mm Showhead
- 10 year product replacement only
- 2 year warranty on Nickel Finish
- 1 year hose product replacement only

Code	ex GST	inc GST
MITWSOR200-NI (200mm Head)	\$635.45	\$699
MITWSOR-NI (250mm Head)	\$671.81	\$739



Milan Wall Mixer Gunmetal

- 35mm cartridge
- Gunmetal finish
- 2 year warranty on Gunmetal Finish

Code	ex GST	inc GST
MIWA-GM (Mixer)	\$153.64	\$169
MIWAREV-GM (Reverse)	\$153.64	\$169



Milan Basin Mixer & Extension Gunmetal

- 35mm cartridge
- Mixer extension with Connector rod and copper extensions
- 50mm or 100mm mixer extension (SOLD SEPERATELY)
- Suitable for MIBA6S-GM
- Gunmetal finish
- 15 year warranty on cartridge
- 2 year warranty parts and labour
- 2 year warranty on Gunmetal Finish
- 6 stars 4L/Min(MIBA6S-GM)

Code	ex GST	inc GST
MIBA6S-GM	\$195.45	\$215
MIL50SP-GM (50mm)	\$63.64	\$70
MIL100SP-GM (100mm)	\$72.73	\$80



Milan Basin Mixer & Extension Gunmetal

- 35mm cartridge
- 5 stars 6L/Min
- Gunmetal finish
- Spout length 205mm
- 15 year warranty on cartridge
- 2 year warranty parts and labour
- 2 year warranty on Gunmetal Finish

Code	ex GST	inc GST
MIWBS-GM	\$331.82	\$365



Milan Wall & Bend Spout Mixer Gunmetal

- 35mm cartridge
- 5 stars 6L/Min
- Gunmetal finish
- Spout length 205mm
- 15 year warranty on cartridge
- 2 year warranty parts and labour
- 2 year warranty on Gunmetal Finish

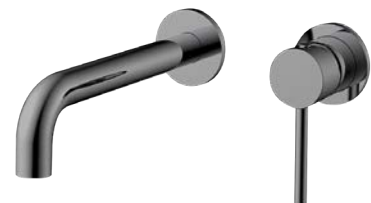
Code	ex GST	inc GST
MIBSWBS-GM	\$331.82	\$365



Milan Wall Bend Spout with 60mm Plates & Wall Mixer Gunmetal

- 35mm cartridge
- Matching 60mm round cover plates
- 5 stars 6L/Min
- Gunmetal finish
- Spout length 205mm
- 15 year warranty on cartridge
- 2 year warranty parts and labour
- 2 year warranty on Gunmetal Finish

Code	ex GST	inc GST
MIBSWBS60-GM	\$331.82	\$365



Milan Round Gooseneck Sink Mixer Gunmetal

- 35mm cartridge
- PEX tails
- Gunmetal finish
- 15 year warranty on cartridge
- 2 year warranty parts and labour
- 10 years on flexible tails, product replacement only
- 2 year warranty on Gunmetal Finish

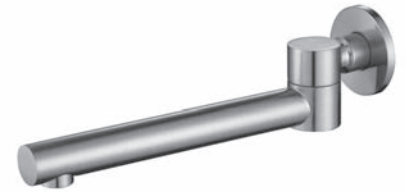
Code	ex GST	inc GST
MIGNS16S-GM	\$281.82	\$310



Milan Swivel Bath Spout Gunmetal

- Gunmetal finish
- 10 year product replacement only
- 2 year warranty on Gunmetal finish

Code	ex GST	inc GST
MISWBS-GM	\$209.09	\$230



Milan 200mm Round Straight Thick Bath Spout Gunmetal

- Gunmetal finish
- 200mm Thick Spout
- 10 year product replacement only
- 2 year warranty on Gunmetal finish

Code	ex GST	inc GST
MILBS-GM	\$150	\$165



Milan 200mm Round Bend Thick Bath Spout Gunmetal

- Gunmetal finish
- Available as 170mm or 230mm
- 10 year product replacement only
- 2 year warranty on Gunmetal finish
- 6 star option available

Code	ex GST	inc GST
MILBBS-GM	\$150	\$165



Milan 400mm Wall Shower Arm Gunmetal

- Gunmetal finish
- 10 year product replacement only
- 2 year warranty on Gunmetal finish

Code	ex GST	inc GST
MWMSA-GM	\$140.91	\$155



Milan 200mm Thin Shower Head Gunmetal

- 10 year product replacement only
- 4mm thin
- 2 year warranty on Gunmetal finish

Code	ex GST	inc GST
MISHTH200-GM	\$213.64	\$235
MISHTH250-GM	\$250	\$275



Milan 300mm Ceiling Mounted Arm Gunmetal

- 10 year product replacement only
- 2 year warranty on Gunmetal finish

Code	ex GST	inc GST
MILCA300-GM	\$95.45	\$105



Milan Handshower On Rail Gunmetal

- Metal fixing posts
- Adjustable post for retro fitting
- 5 stars 6.0L/Min
- 3 function ABS handpiece
- 10 year product replacement only
- 2 year warranty on Gunmetal finish
- 1 year hose product replacement only

Code	ex GST	inc GST
MISOR-GM	\$290	\$319



Milan Twin Shower On Rail Gunmetal

- 4 stars 8.5L/Min
- ABS handpiece
- Top water diverter entry
- 10 year product replacement only
- 250mm Showerhead
- 2 year warranty on Gunmetal finish
- 1 year hose product replacement only

Code	ex GST	inc GST
MITWSOR200-GM (200mm Head)	\$726.36	\$799
MITWSOR-GM (250mm Head)	\$762.72	\$839



Siera Wall Mixer or Shower Diverter Chrome

- 35mm cartridge
- 1/2 turn ceramic disc diverter
- 15 year warranty on cartridge
- 2 year warranty parts and labour

Code	ex GST	inc GST
SIWAC (Mixer)	\$104.55	\$115
SISDIC (Diverter)	\$136.36	\$150



Siera 'Reverse' Pin Lever Wall Mixer Chrome

- 35mm cartridge
- 15 year warranty on cartridge
- 2 year warranty parts and labour

Code	ex GST	inc GST
SIWAREVC	\$104.55	\$115



Siera Wall & Spout Mixer Chrome

- 35mm cartridge
- 5 stars 6.0L/Min
- Spout length 205mm
- 15 year warranty on cartridge
- 2 year warranty parts and labour

Code	ex GST	inc GST
SIWBSC	\$244.55	\$269



Siera Round Wall & Bend Spout Mixer Chrome

- 35mm cartridge
- 15 year warranty on cartridge
- 2 year warranty parts and labour
- Spout length 205mm
- 5 stars 6.0L/Min

Code	ex GST	inc GST
SIBSWBSC	\$244.55	\$269



Siera Wall Bend Spout with 60mm Plates & Wall Mixer Chrome

- 35mm cartridge
- 15 year warranty on cartridge
- 2 year warranty parts and labour
- Spout length 205mm
- 5 stars 6.0L/Min

Code	ex GST	inc GST
SIBSWBS60C	\$244.55	\$269



Siera Basin Mixer Chrome

- 35mm cartridge
- 50mm & 100mm extensions available to adjust height
- 15 year warranty on cartridge
- 2 year warranty parts and labour
- 10 years on flexible tails, product replacement only
- PEX tails
- 5 stars 5.5L/Min

Code	ex GST	inc GST
SIBAC	\$145.45	\$160



Siera Curved Spout Basin Mixer Chrome

- 35mm cartridge
- 50mm & 100mm extensions available to adjust height
- 15 year warranty on cartridge
- 2 year warranty parts and labour
- 10 years on flexible tails, product replacement only
- PEX tails
- 6 stars 4.0L/Min

Code	ex GST	inc GST
SICUBAC	\$145.45	\$160



Siera Basin Mixer Extension Chrome

- Used to create Hi-Rise Tower basin mixer
- Spacer mixer with Connector rod and copper extensions
- Available as 50mm or 100mm mixer extension
- Suitable for SIBAC, SICUBAC.

Code	ex GST	inc GST
MIL50SP (50mm)	\$45.45	\$50
MIL100SP (100mm)	\$54.55	\$60



Siera Round Neck Gooseneck Sink Mixer Chrome

- 35mm cartridge
- 15 year warranty on cartridge
- 2 year warranty parts and labour
- 10 years on flexible tails, product replacement only
- PEX tails
- 6 stars 4.5L/Min (SIGNSIC)

Code	ex GST	inc GST
SIGNSIC	\$199.09	\$219



Siera Wall Mixer or Shower Diverter Black

- 35mm cartridge
- 15 year warranty on cartridge
- 10 years on flexible tails, product replacement only
- 2 year warranty parts and labour
- 2 year warranty on Black finish
- 1/2 turn ceramic disc diverter

Code	ex GST	inc GST
SIWA-B (Mixer)	\$122.73	\$135
SISDI-B (Diverter)	\$172.73	\$190



Siera 'Reverse' Pin Lever Wall Mixer Black

- 35mm cartridge
- 15 year warranty on cartridge
- 10 years on flexible tails, product replacement only
- 2 year warranty parts and labour
- 2 year warranty on Black finish

Code	ex GST	inc GST
SIWAREV-B	\$122.73	\$135



Siera Wall & Spout Mixer Black

- 35mm cartridge
- 15 year warranty on cartridge
- 2 year warranty parts and labour
- 2 year warranty on Black finish
- 5 stars 6.0L/Min
- Spout length 205mm

Code	ex GST	inc GST
SIWBS-B	\$268.18	\$295



Siera Round Wall & Bend Spout Mixer Black

- 35mm cartridge
- 15 year warranty on cartridge
- 2 year warranty parts and labour
- 2 year warranty on Black finish
- 5 stars 6.0L/Min
- Spout length 205mm

Code	ex GST	inc GST
SIBSWBS-B	\$268.18	\$295



Siera Round Wall Bend Spout with 60mm Plates & Wall Mixer Black

- 35mm cartridge
- 15 year warranty on cartridge
- 2 year warranty parts and labour
- 2 year warranty on Black finish
- 5 stars 6.0L/Min
- Spout length 205mm

Code	ex GST	inc GST
SIBSWBS60-B	\$268.18	\$295



Siera Basin Mixer Black

- 35mm cartridge
- 50mm & 100mm extensions available to adjust height
- 15 year warranty on cartridge
- 10 years on flexible tails, product replacement only
- 2 year warranty parts and labour
- 2 year warranty on Black finish
- PEX tails
- 5 stars 5.5L/Min

Code	ex GST	inc GST
SIBA-B	\$159.09	\$175



Siera Curved Spout Basin Mixer Black

- 35mm cartridge
- 50mm & 100mm extensions available to adjust height
- 15 year warranty on cartridge
- 10 years on flexible tails, product replacement only
- 2 year warranty parts and labour
- 2 year warranty on Black finish
- PEX tails
- 6 stars 4.0L/Min

Code	ex GST	inc GST
SICUBA-B	\$159.09	\$175



Siera Basin Mixer Extension Black

- Spacer extension with Connector rod and copper extensions
- Available as 50mm or 100mm spacer extension
- Suitable for SIBA-B, SICUBA-B

Code	ex GST	inc GST
MIL50SP-B	\$54.55	\$60
MIL100SP-B	\$63.64	\$70



Siera Round Neck Gooseneck Sink Mixer Black

- 15 year warranty on cartridge
- 10 years on flexible tails, product replacement only
- 2 year warranty parts and labour
- 2 year warranty on Black finish
- 35mm cartridge
- PEX tails
- 4 stars 7.0L/Min

Code	ex GST	inc GST
SIGNSI-B	\$227.27	\$250



Siera Wall Mixer Brushed Nickel

- 35mm cartridge
- 15 year warranty on cartridge
- 2 year warranty parts and labour
- 2 year warranty on Brushed Nickel finish

Code	ex GST	inc GST
SIWA-NI (Mixer)	\$136.36	\$150



Siera 'Reverse' Pin Lever Wall Mixer Brushed Nickel

- 35mm cartridge
- 15 year warranty on cartridge
- 10 years on flexible tails, product replacement only
- 2 year warranty parts and labour
- 2 year warranty on Brushed Nickel finish

Code	ex GST	inc GST
SIWAREV-NI	\$136.36	\$150



Siera Basin Mixer Brushed Nickel

- 35mm cartridge
- 15 year warranty on cartridge
- 10 years on flexible tails, product replacement only
- 2 year warranty parts and labour
- 2 year warranty on Brushed Nickel finish
- 5 stars 6L/Min

Code	ex GST	inc GST
SIBA-NI	\$172.73	\$190



Siera Basin Mixer Extension Brushed Nickel

- Mixer extension with Connector rod and copper extensions
- Available as 50mm or 100mm mixer extension
- 2 year warranty on Brushed Nickel finish
- Suitable for SIBA-B

Code	ex GST	inc GST
MIL50SP-NI	\$63.64	\$70
MIL100SP-NI	\$72.73	\$80



Siera Wall & Spout Mixer Brushed Nickel

- 35mm cartridge
- 15 year warranty on cartridge
- 2 year warranty parts and labour
- 2 year warranty on Brushed Nickel finish
- 5 stars 6L/Min

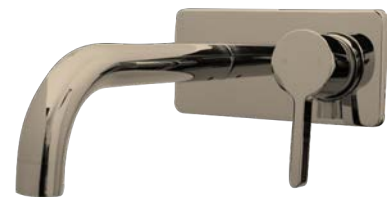
Code	ex GST	inc GST
SIWBS-NI	\$286.36	\$315



Siera Wall & Bend Spout Mixer Brushed Nickel

- 35mm cartridge
- 15 year warranty on cartridge
- 2 year warranty parts and labour
- 2 year warranty on Brushed Nickel finish
- 5 stars 6L/Min

Code	ex GST	inc GST
SIBSWBS-NI	\$286.36	\$315



Siera Wall & Bend Spout Mixer 60mm Plate Brushed Nickel

- 35mm cartridge
- 15 year warranty on cartridge
- 2 year warranty parts and labour
- 2 year warranty on Brushed Nickel finish
- 5 stars 6L/Min

Code	ex GST	inc GST
SIBSWBS60-NI	\$286.36	\$315



Siera Wall & Bend Spout Mixer Brushed Nickel

- 35mm cartridge
- 15 year warranty on cartridge
- 10 years on flexible tails, product replacement only
- 2 year warranty parts and labour
- 2 year warranty on Brushed Nickel finish
- 4 stars 7.0L/Min

Code	ex GST	inc GST
SIGNSI-NI	\$245.45	\$270



Siera Wall Mixer Gunmetal

- 35mm cartridge
- 15 year warranty on cartridge
- 2 year warranty parts and labour
- 2 year warranty on Gunmetal finish

Code	ex GST	inc GST
SIWA-GM	\$153.64	\$169



Siera 'Reverse' Pin Lever Wall Mixer Gunmetal

- 35mm cartridge
- 15 year warranty on cartridge
- 10 years on flexible tails, product replacement only
- 2 year warranty parts and labour
- 2 year warranty on Gunmetal finish

Code	ex GST	inc GST
SIWAREV-GM	\$153.64	\$169



Siera Basin Mixer Gunmetal

- 35mm cartridge
- 15 year warranty on cartridge
- 10 years on flexible tails, product replacement only
- 2 year warranty parts and labour
- 2 year warranty on Gunmetal finish
- 5 stars 6L/Min

Code	ex GST	inc GST
SIBA-GM	\$195.45	\$215



Siera Basin Mixer Extension Gunmetal

- Mixer extension with Connector rod and copper extensions
- Available as 50mm or 100mm mixer extension
- Suitable for SIBA-B
- 2 year warranty on Gunmetal finish

Code	ex GST	inc GST
MIL50SP-GM	\$63.64	\$70
MIL100SP-GM	\$72.73	\$80



Siera Wall & Spout Mixer Gunmetal

- 35mm cartridge
- 15 year warranty on cartridge
- 2 year warranty parts and labour
- 2 year warranty on Gunmetal finish
- Spout length 205mm
- 5 stars 6.0L/Min

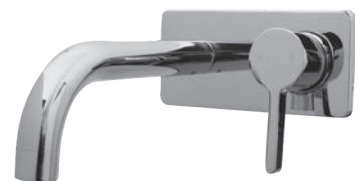
Code	ex GST	inc GST
SIWBS-GM	\$331.82	\$365



Siera Wall & Bend Spout Mixer Gunmetal

- 35mm cartridge
- 15 year warranty on cartridge
- 2 year warranty parts and labour
- 2 year warranty on Gunmetal finish
- Spout length 205mm
- 5 stars 6.0L/Min

Code	ex GST	inc GST
SIBSWBS-GM	\$331.82	\$365



Siera Wall & Bend Spout Mixer 60mm Plate Gunmetal

- 35mm cartridge
- 15 year warranty on cartridge
- 2 year warranty parts and labour
- 2 year warranty on Gunmetal finish
- Spout length 205mm
- 5 stars 6.0L/Min

Code	ex GST	inc GST
SIBSWBS60-GM	\$331.82	\$365



Siera Wall & Bend Spout Mixer Brushed Nickel

- 35mm cartridge
- 15 year warranty on cartridge
- 10 years on flexible tails, product replacement only
- 2 year warranty parts and labour
- 2 year warranty on Gunmetal finish
- 4 stars 7.0L/Min

Code	ex GST	inc GST
SIGNSI-GM	\$281.82	\$310



Elba Square Wall Mixer or Shower Diverter Chrome

- 35mm cartridge
- 1/2 turn ceramic disc diverter
- 7 year warranty on cartridge
- 1 year warranty parts and labour

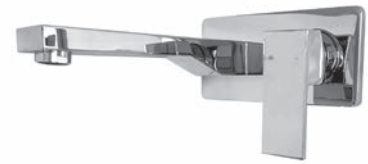
Code	ex GST	inc GST
ELWAC (Mixer)	\$104.55	\$115
ELWDIC (Diverter)	\$150	\$165



Elba Wall Spout and Mixer Chrome

- 35mm cartridge
- 5 stars 5.5L/Min
- Spout length 200mm
- 7 year warranty on cartridge
- 1 year warranty parts and labour

Code	ex GST	inc GST
ELWBSC	\$209.09	\$230



Elba Square Basin Mixer Chrome

- 35mm cartridge
- 7 year warranty on cartridge
- 1 year warranty parts and labour
- 10 years on flexible tails, product replacement only
- PEX tails
- 5 stars 6.0L/Min

Code	ex GST	inc GST
ELBAC2	\$180.91	\$199



Elba Basin Mixer Extension Chrome

- Used to create Hi-Rise Tower basin mixer
- Mixer extension with Connector rod and copper extensions
- Available as 50mm or 100mm mixer extension
- Suitable for ELBAC2

Code	ex GST	inc GST
EL50SP	\$63.64	\$70
EL100SP	\$153.64	\$80



Elba Square Gooseneck Sink Mixer Chrome

- 35mm cartridge
- 7 year warranty on cartridge
- 1 year warranty parts and labour
- 10 years on flexible tails, product replacement only
- PEX tails
- 4 stars 6.5L/Min

Code	ex GST	inc GST
ELGNSIC	\$226.36	\$249



Elba Square 185mm Bath Spout Chrome

- Spout length 185mm
- 10 year product replacement only

Code	ex GST	inc GST
ELBSC	\$72.73	\$80



Elba Swivel Bath Spout Chrome

- Spout length 260mm
- 10 year product replacement only

Code	ex GST	inc GST
ELBSWBSC	\$118.18	\$130



Elba Ceiling Shower Arm Chrome

- Available in 150mm, 300mm, 400mm, 600mm
- 10 year product replacement only

Code	ex GST	inc GST
ELCA300	\$63.64	\$70



Elba 400mm Wall Shower Arm Chrome

- 10 year product replacement only

Code	ex GST	inc GST
ELWSA400	\$104.55	\$115



Elba Upswept Shower Arm Chrome

- 10 year product replacement only

Code	ex GST	inc GST
ELWMUPSA	\$168.18	\$185



Elba 4mm Thin Square Shower Head Chrome

- 200mm Polished Stainless Steel (4mm Thin)
- 300mm Polished Stainless Steel (4mm Thin)
- 10 year product replacement only
- 4 stars 9.0L/Min (ELSHTH200)
- 3 stars 8.5L/Min (ELSH300)

Code	ex GST	inc GST
ELSHTH200 (200mm)	\$144.55	\$159
ELSH300 (300mm)	\$244.55	\$269



Elba Single Function Shower On Rail Chrome

- 4 stars 7.0L/Min
- Complete metal construction
- ABS single function handpiece
- 10 year product replacement only
- 1 year hose product replacement only
- 1 year labour

Code	ex GST	inc GST
ELSOR	\$208.18	\$229



Elba Twin Head Shower On Rail Chrome

- Top water diverter entry
- Polished stainless head
- Adjustable bottom fixing post
- ABS 3 function hand piece
- 250mm Showerhead
- 4 stars 7.0L/Min
- 10 year product replacement only
- 1 year hose product replacement only
- 1 year labour

Code	ex GST	inc GST
ELTWSOR	\$559.09	\$615



Elba Square Wall Mixer or Shower Diverter Black

- 35mm cartridge
- 5 stars 6.0L/Min
- Also available as a Shower Diverter Mixer
- Matte Black finish
- Half Turn Ceramic disc diverter
- 7 year warranty on cartridge
- 1 year warranty on parts and labour
- 2 year warranty on Black finish

Code	ex GST	inc GST
ELWAC-B (Mixer)	\$131.82	\$145
ELWDIC-B (Diverter)	\$172.73	\$190



Elba Wall Spout and Mixer Black

- 35mm cartridge
- 7 year warranty on cartridge
- 1 year warranty on parts and labour
- 2 year warranty on colour finish
- 5 stars 5.5L/Min
- Spout length 200mm
- Matte Black finish

Code	ex GST	inc GST
ELWBSC-B	\$268.18	\$295



Elba Square Basin Mixer Black

- 35mm cartridge
- 7 year warranty on cartridge
- 1 year warranty parts and labour
- 2 year warranty on Black finish
- 10 years on flexible tails, product replacement only
- PEX tails
- 5 stars 6.0L/Min
- Matte Black finish

Code	ex GST	inc GST
ELBAC2-B	\$227.27	\$250



Elba Square Basin Mixer Black

- 35mm cartridge
- 7 year warranty on cartridge
- 1 year warranty parts and labour
- 2 year warranty on Black finish
- 10 years on flexible tails, product replacement only
- PEX tails
- 4 stars 6.5L/Min
- Matte Black finish

Code	ex GST	inc GST
ELGNSI-B	\$277.27	\$305



Elba Basin Mixer Extension Black

- Spacer extension with Connector rod and copper extensions
- Available as 50mm or 100mm spacer extension
- 2 year warranty on Black finish
- Suitable for ELBAC2-B

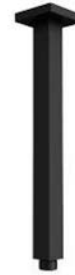
Code	ex GST	inc GST
EL50SP-B	\$72.73	\$80
EL100SP-B	\$81.82	\$90



Elba 300mm Ceiling Shower Arm Black

- Matte Black finish
- 10 year product replacement only
- 2 year warranty on Black finish
- 1 year labour

Code	ex GST	inc GST
ELCA300-B	\$81.82	\$90



Elba Square 400mm Wall Shower Arm Black

- Matte Black finish
- 10 year product replacement only
- 2 year warranty on Black finish
- 1 year labour

Code	ex GST	inc GST
ELWSA400-B	\$118.18	\$130



Elba Square Upswept Shower Arm Black

- Matte Black finish
- 10 year product replacement only
- 2 year warranty on Black finish
- 1 year labour

Code	ex GST	inc GST
ELWMUPSA-B	\$227.27	\$250



Elba 4 mm Thin Shower Head Black

- Black nipples
- Matte Black finish
- 10 year product replacement only
- 2 year warranty on Black finish
- 1 year labour
- 4 stars 9.0L/Min (ELSHTH200-B)
- 3 stars 8.5L/Min (ELSHTH300-B)

Code	ex GST	inc GST
ELSHTH200-B	\$161.82	\$178
ELSHTH300-B	\$266.36	\$293



Elba Single Function Shower on Rail Black

- 3 stars 9.0L/Min
- Matte Black finish
- Single function ABS hand piece
- Metal rail and posts
- Black rubber nipples
- 10 year product replacement only
- 2 year warranty on Black finish
- 1 year labour

Code	ex GST	inc GST
ELSOR-B	\$226.36	\$249



Elba Square Twin Shower on Rail Black

- 3 stars 9.0L/Min
- Matte Black finish
- ABS 3 function hand piece
- Black stainless head
- 250mm Showerhead
- Top water diverter entry
- Black rubber nipples
- 10 year product replacement only
- 2 year warranty on Black finish
- 1 year labour

Code	ex GST	inc GST
ELTWSOR-B	\$591.82	\$651



ACCESSORIES

Castano

Capri Robe Hook Chrome

- Polished Stainless Steel
- 2 screw fixing system
- 10 year product replacement only

Code	ex GST	inc GST
CARHC	\$25.45	\$28



Capri Toilet Roll Holder Chrome

- Polished Stainless Steel
- 2 screw fixing system
- 10 year product replacement only

Code	ex GST	inc GST
CATRHC	\$33.64	\$37



Capri Straight Toilet Roll Holder Chrome

- Polished Stainless Steel
- 2 screw fixing system
- 10 year product replacement only

Code	ex GST	inc GST
CATRHC2	\$44.55	\$49



Capri Round Towel Ring Chrome

- Polished Stainless Steel
- 2 screw fixing system
- 10 year product replacement only

Code	ex GST	inc GST
CATRC	\$50	\$55



Capri 250mm Guest Towel Rail Chrome

- Polished Stainless Steel
- 2 screw fixing system
- 10 year product replacement only

Code	ex GST	inc GST
CA250GTRC	\$53.64	\$59



Capri Single Towel Rail Chrome

- Polished Stainless Steel
- 2 screw fixing system
- 10 year product replacement only
- Rail length can be cut down to required size

Code	ex GST	inc GST
CASTR600C (600mm)	\$59.09	\$65
CASTRC (850mm)	\$68.18	\$75



Capri Double Towel Rail Chrome

- Rail length can be cut down to required size
- Polished Stainless Steel
- 2 screw fixing system
- 10 year product replacement only

Code	ex GST	inc GST
CADTR600C (600mm)	\$71.82	\$79
CADTRC (850mm)	\$81.82	\$90



Capri Metal Deluxe Soap Dish Chrome

- Slotted dish for water drainage
- Polished Stainless Steel
- 2 screw fixing system
- 10 year product replacement only

Code	ex GST	inc GST
CAMSDC	\$59.09	\$65



Capri 450mm Shower Shelf Chrome

- Slotted dish for water drainage
- Polished Stainless Steel
- 2 screw fixing system
- 10 year product replacement only

Code	ex GST	inc GST
CAMS450C	\$113	\$125



Capri Glass Shelf Chrome

- Slotted dish for water drainage
- Polished Stainless Steel
- 2 screw fixing system
- 10 year product replacement only

Code	ex GST	inc GST
CAGSSC	\$85.45	\$94



Capri Robe Hook Black

- 2 screw fixing system
- Matte Black finish
- 10 year product replacement only
- 2 year warranty on Black finish

Code	ex GST	inc GST
CARHB	\$37.27	\$41



Capri Straight Toilet Roll Holder Black

- 2 screw fixing system
- Matte Black finish
- 10 year product replacement only
- 2 year warranty on Black finish

Code	ex GST	inc GST
CATRRB	\$50	\$55



Capri Towel Ring Black

- 2 screw fixing system
- Matte Black finish
- 10 year product replacement only
- 2 year warranty on Black finish

Code	ex GST	inc GST
CATRRB	\$66.36	\$73



Capri Single Towel Rail Black

- Rail length can be cut down to required size
- 2 screw fixing system
- Matte Black finish
- 10 year product replacement only
- 2 year warranty on Black finish

Code	ex GST	inc GST
CASTR600B (600mm)	\$72.73	\$80
CASTRB (850mm)	\$81.82	\$90



Capri Double Towel Rail Black

- Rail length can be cut down to required size
- 2 screw fixing system
- Matte Black finish
- 10 year product replacement only
- 2 year warranty on Black finish

Code	ex GST	inc GST
CADTR600B (600mm)	\$90	\$99
CADTRB (850mm)	\$104.55	\$115



Capri Metal Deluxe Soap Dish Black

- Slotted dish for water drainage
- 2 screw fixing system
- Matte Black finish
- 10 year product replacement only
- 2 year warranty on Black finish

Code	ex GST	inc GST
CAMDSDB	\$90.91	\$100



Capri 450mm Shower Shelf Black

- Solid Stainless Steel construction
- 10 year product replacement only
- 2 year warranty on Black finish

Code	ex GST	inc GST
CAMS450-B	\$117.27	\$129



Capri Glass Shelf Black

- Solid Stainless Steel posts
- Matte black finish
- 10 year product replacement only
- 2 year warranty on BLACK finish

Code	ex GST	inc GST
CAGSSCB	\$94.55	\$104



Capri Robe Hook Brushed Nickel

- 2 screw fixing system
- Brushed Nickel finish
- 10 year product replacement only

Code	ex GST	inc GST
CARH-NI	\$45.45	\$50



Capri Straight Toilet Roll Holder Brushed Nickel

- 2 screw fixing system
- Brushed Nickel finish
- 10 year product replacement only

Code	ex GST	inc GST
CATRHC2-NI	\$62.73	\$69



Capri 450mm Shower Shelf Brushed Nickel

- 2 screw fixing system
- Brushed Nickel finish
- 10 year product replacement only

Code	ex GST	inc GST
CAMS450-NI	\$123.64	\$136



Capri Single Towel Rail Brushed Nickel

- Rail length can be cut down to required size
- 2 screw fixing system
- Brushed Nickel finish
- 10 year product replacement only

Code	ex GST	inc GST
CASTR600-NI (600mm)	\$75.45	\$83
CASTR-NI (850mm)	\$85.84	\$94



Capri Double Towel Rail Brushed Nickel

- Rail length can be cut down to required size
- 2 screw fixing system
- Brushed Nickel finish
- 10 year product replacement only

Code	ex GST	inc GST
CADTR600-NI (600mm)	\$108.18	\$119
CADTR-NI (850mm)	\$123.64	\$136



Capri Robe Hook Gunmetal

- 2 screw fixing system
- Gunmetal finish
- 10 year product replacement only

Code	ex GST	inc GST
CARH-GM	\$50	\$55



Capri Straight Toilet Roll Holder Gunmetal

- 2 screw fixing system
- Gunmetal finish
- 10 year product replacement only

Code	ex GST	inc GST
CATRHC2-GM	\$69.09	\$76



Capri 450mm Shower Shelf Gunmetal

- 2 screw fixing system
- Gunmetal finish
- 10 year product replacement only

Code	ex GST	inc GST
CAMS450-GM	\$156.36	\$172



Capri Single Towel Rail Gunmetal

- Rail length can be cut down to required size
- 2 screw fixing system
- Gunmetal finish
- 10 year product replacement only

Code	ex GST	inc GST
CASTR600-GM (600mm)	\$83.64	\$92
CASTR-GM (850mm)	\$94.55	\$104



Capri Double Towel Rail Gunmetal

- Rail length can be cut down to required size
- 2 screw fixing system
- Gunmetal finish
- 10 year product replacement only

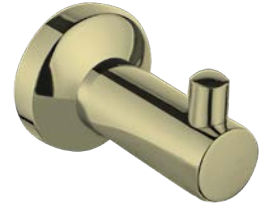
Code	ex GST	inc GST
CADTR600-GM (600mm)	\$120.91	\$133
CADTR-GM (850mm)	\$136.36	\$150



Capri Robe Hook Champagne Gold

- 2 screw fixing system
- Champagne Gold finish
- 10 year product replacement only

Code	ex GST	inc GST
CARH-GO	\$53.64	\$59



Capri Straight Toilet Roll Holder Champagne Gold

- 2 screw fixing system
- Champagne Gold finish
- 10 year product replacement only

Code	ex GST	inc GST
CATRHC2-GO	\$71.82	\$79



Capri 450mm Shower Shelf Champagne Gold

- 2 screw fixing system
- Champagne Gold finish
- 10 year product replacement only

Code	ex GST	inc GST
CAMS450-GO	\$168.18	\$185



Capri Single Towel Rail Champagne Gold

- Rail length can be cut down to required size
- 2 screw fixing system
- Champagne Gold finish
- 10 year product replacement only

Code	ex GST	inc GST
CASTR600-GO (600mm)	\$90	\$99
CASTR-GO (850mm)	\$104.55	\$115



Capri Double Towel Rail Champagne Gold

- Rail length can be cut down to required size
- 2 screw fixing system
- Champagne Gold finish
- 10 year product replacement only

Code	ex GST	inc GST
CADTR600-GO (600mm)	\$131.82	\$145
CADTR-GO (850mm)	\$153.64	\$169



Elba Robe Hook Chrome

- Polished Stainless Steel finish
- 2 screw fixing system
- 10 year product replacement only

Code	ex GST	inc GST
ELRHC	\$33.64	\$37



Elba Toilet Roll Holder Chrome

- Polished Stainless Steel finish
- 2 screw fixing system
- 10 year product replacement only

Code	ex GST	inc GST
ELTRHC	\$50	\$55



Elba Towel Holder Chrome

- Polished Stainless Steel finish
- 2 screw fixing system
- 10 year product replacement only

Code	ex GST	inc GST
ELTHC	\$59.09	\$65



Elba 610mm & 810mm Single & Double Towel Rail Chrome

- Polished Stainless Steel finish
- 2 screw fixing system
- 10 year product replacement only

Code	ex GST	inc GST
EL600STR	\$77.27	\$85
ELSTRC	\$86.36	\$95
EL600DTRC	\$85.45	\$94
ELDTRC	\$104.55	\$115



Elba Glass Shelf Chrome

- Polished Stainless Steel finish
- 2 screw fixing system
- 10 year product replacement only

Code	ex GST	inc GST
ELGSC	\$100.91	\$111



Elba Robe Hook Black

- 2 screw fixing system
- Matte Black finish
- 10 year product replacement only
- 2 year warranty on Black finish

Code	ex GST	inc GST
ELRH-B	\$37.27	\$41



Elba Toilet Roll Holder Black

- 2 screw fixing system
- Matte Black finish
- 10 year product replacement only
- 2 year warranty on Black finish

Code	ex GST	inc GST
ELTRH-B	\$59.09	\$65



Elba Towel Holder Black

- 2 screw fixing system
- Matte Black finish
- 10 year product replacement only
- 2 year warranty on Black finish

Code	ex GST	inc GST
ELTH-B	\$68.18	\$75



Elba 610mm & 810mm Single & Double Towel Rail Black

- Matte Black finish
- 2 screw fixing system
- 10 year product replacement only
- 2 year warranty on Black finish

Code	ex GST	inc GST
EL600STR-B	\$94.55	\$104
ELSTR-B	\$104.55	\$115
EL600DTR-B	\$110	\$121
ELDTR-B	\$123.64	\$136



Elba Glass Shelf Black

- Matte Black finish
- 2 screw fixing system
- 10 year product replacement only
- 2 year warranty on Black finish

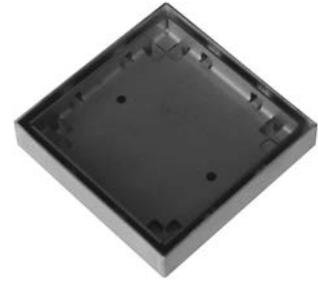
Code	ex GST	inc GST
ELGS-B	\$142.73	\$157



100mm Tile Insert Floor Grate

- Lifetime warranty
- 10 year warranty on colour finish
- 80mm outlet
- Australian Made 304 Grade
- 100L x 100W x 22D
- Available Matte Black finish

Code	ex GST	inc GST
FG100TI-80	\$77.27	\$85
FG100TI-B80	\$168.18	\$185



100mm Heel Guard Floor Grate

- Lifetime warranty
- 10 year warranty on colour finish
- 80mm outlet
- Australian Made 304 Grade
- Available Matte Black finish
- 100L x 100W x 22D

Code	ex GST	inc GST
FG100HM-80	\$108.18	\$119
FG100HM-B80	\$177.27	\$195



VANITIES



Castano Vanity Collection



Tirami 400 x 220 Ensuite Vanity

• Sold complete with top in box

- Includes 50mm Polymarble top (1TH)
- Reversible door
- 1 door
- 5 year warranty
- 32mm non-overflow waste required
- 400w x 220d x 870h

Model on Kicker

(price includes top)



Code	ex GST	inc GST
TIR400KRWH	\$438.18	\$482



Code	ex GST	inc GST
TIR400KROAK	\$438.18	\$482

Wall Hung Model

(price includes top)



Code	ex GST	inc GST
TIR400HWH	\$438.18	\$482



Code	ex GST	inc GST
TIR400WHOAK	\$438.18	\$482

Tirami 400mm Polymarble Top Only

Code	ex GST	inc GST
VEREN400TOP	\$186.36	\$205



Janine 360mm Ensuite Vanity - Cabinet Only

- Cabinet price only - options for separate top options
- See page 108 & 110 for top options
- See MINI basins for basin options
- 360mm deep
- 600mm/750mm/900mm
- Soft close doors
- 5 year warranty
- Double extendable draws
- Removable kicker to allow vanity to be wall hung



VANITY TOPS

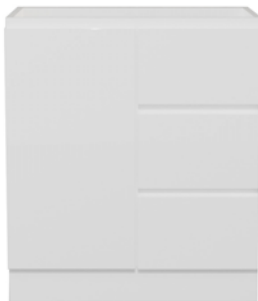
Choose a top to match Vanity, either an integrated bowl top OR a 'Sheet' benchtop AND Basin (with waste/taphole drill location diagram if required). EITHER 10/12/2 o'clock tap hole location (BENCH MIXER) or NO Tap hole for WALL BASIN MIXER



Code	ex GST	inc GST
JANEN600WH (cab only)	\$417.27	\$459



Code	ex GST	inc GST
JANEN6000AK (cab only)	\$417.27	\$459



Code	ex GST	inc GST
JANEN750WH (cab only)	\$526.36	\$579



Code	ex GST	inc GST
JANEN7500AK (cab only)	\$526.36	\$579



Code	ex GST	inc GST
JANEN900WH (cab only)	\$553.64	\$609



Code	ex GST	inc GST
JANEN9000AK (cab only)	\$553.64	\$609

Janine 460mm Full Depth Vanity - Cabinet Only

- Cabinet price only - options for separate top options
- See page 108, 109 & 110 for top options
- Double extendable draws
- Removable kicker to allow vanity to be wall hung
- 600mm/750mm/900mm/1200mm
- 460mm deep
- Soft close doors
- 5 year warranty



VANITY TOPS

Choose a top to match Vanity, either an integrated bowl top OR a 'Sheet' bench-top AND Basin (with waste/taphole drill location diagram if required. EITHER 10/12/2 o'clock tap hole location (BENCH MIXER) or NO Tap hole for WALL BASIN MIXER



Code	ex GST	inc GST
JANFD600WH (cab only)	\$435.45	\$479



Code	ex GST	inc GST
JANFD600AK (cab only)	\$435.45	\$479



Code	ex GST	inc GST
JANFD750WH (cab only)	\$544.55	\$599



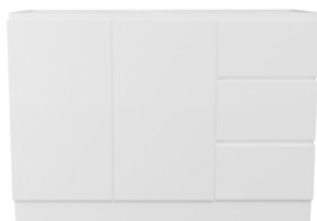
Code	ex GST	inc GST
JANFD750AK (cab only)	\$544.55	\$599



Code	ex GST	inc GST
JANFD900WH (cab only)	\$571.82	\$629



Code	ex GST	inc GST
JANFD900AK (cab only)	\$571.82	\$629



Code	ex GST	inc GST
JANFD1200WH (cab only)	\$726.36	\$799



Code	ex GST	inc GST
JANFD1200AK (cab only)	\$726.36	\$799

Hannah 460mm Full Depth Vanity- Cabinet Only

- Cabinet price only - options for separate top options
- See page 108, 109 & 110 for top options
- 600mm/750mm/900mm/1200mm/1500mm
- 460mm deep
- Soft close doors and draws
- 5 year warranty



VANITY TOPS

Choose a top to match Vanity, either an integrated bowl top OR a 'Sheet' benchtop AND Basin (with waste/taphole drill location diagram if required. EITHER 10/12/2 o'clock tap hole location (BENCH MIXER) or NO Tap hole for WALL BASIN MIXER



Code	ex GST	inc GST
HAN750WH (cab only)	\$544.55	\$599



Code	ex GST	inc GST
HAN750WAL (cab only)	\$544.55	\$599



Code	ex GST	inc GST
HAN900WH (cab only)	\$571.82	\$629



Code	ex GST	inc GST
HAN900WAL (cab only)	\$571.82	\$629



Code	ex GST	inc GST
HAN1200WH (cab only)	\$726.36	\$799



Code	ex GST	inc GST
HAN1200WAL (cab only)	\$726.36	\$799



Code	ex GST	inc GST
HAN1500WH (cab only)	\$908.18	\$999



Code	ex GST	inc GST
HAN1500WAL (cab only)	\$908.18	\$999

Positano Curved Fluted Full Depth Vanity- Cabinet Only

- Cabinet price only - options for separate top options
- See page 109 & 110 for top options
- See basin page for basin options
- Basin will be centre unless specified
- Soft close doors and draws
- 900mm/1200mm/1500mm
- 900mm model has internal drawer
- 460mm depth



VANITY TOPS
 Choose a top to match Vanity, either an integrated bowl top OR a 'Sheet' benchtop AND Basin (with waste/taphole drill location diagram if required). EITHER 10/12/2 o'clock tap hole location (BENCH MIXER) or NO Tap hole for WALL BASIN MIXER



Code	ex GST	inc GST
POS900SAT	\$817.27	\$899



Code	ex GST	inc GST
POS1200SAT	\$999.09	\$1099



Code	ex GST	inc GST
POS1500SAT	\$1271.82	\$1399



Code	ex GST	inc GST
POS900WAL	\$817.27	\$899



Code	ex GST	inc GST
POS1200WAL	\$999.09	\$1099



Code	ex GST	inc GST
POS1500WAL	\$1271.82	\$1399



Code	ex GST	inc GST
POS9000AK	\$817.27	\$899



Code	ex GST	inc GST
POS12000AK	\$999.09	\$1099



Code	ex GST	inc GST
POS15000AK	\$1271.82	\$1399

Ceramic 360mm Ensuite Tops

		ex GST	inc GST
LDA30396	Jane 600 x 360mm ENSUITE Vitreous China Top 1TH	\$240.91	\$265
LDA30397	Jane 750 x 360mm ENSUITE Vitreous China Top 1TH	\$268.18	\$295
LDA30399	Jane 900 x 360mm ENSUITE Vitreous China Top 1TH	\$304.55	\$335



Genoa Ceramic 460mm Full Depth Tops

- Vitreous china integral bowl top (1 TH)
- 3 Tap hole available - DRILL CHARGE \$50
- Easy to clean (warm soapy water)
- 5 year product replacement only
- Requires 32mm overflow waste
- Not available for Positano Vanities or Jane Ensuite



		ex GST	inc GST
GEN600TOP	600 x 460 Genoa Vitreous China Top Only - 1 Tap hole	\$259.09	\$285
GEN750TOP	750 x 460 Genoa Vitreous China Top Only - 1 Tap hole	\$277.27	\$305
GEN900TOP	900 x 460 Genoa Vitreous China Top Only - 1 Tap Hole	\$309.09	\$340
GEN1200TOP	1200 x 460 Genoa Vitreous China Top Only (single bowl) - 1 Tap hole	\$413.64	\$455

Valencia Ceramic 460mm Full Depth Tops

- Vitreous china integral bowl top (1 TH)
- 3 Tap hole available - DRILL CHARGE \$50
- Easy to clean (warm soapy water)
- 5 year warranty
- Requires 32mm overflow waste
- Not available for Positano Vanities or Jane Ensuite



		ex GST	inc GST
VAL60TOP	600 x 460 Valencia Vitreous China Top Only - 1 Tap hole	\$259.09	\$285
VAL75TOP	750 x 460 Valencia Vitreous China Top Only - 1 Tap hole	\$277.27	\$305
VAL90TOP	900 x 460 Valencia Vitreous China Top Only - 1 Tap hole	\$309.09	\$340
VAL120TOP	1200 x 460 Valencia Vitreous China SINGLE BOWL Top Only - 1 Tap hole	\$413.64	\$455

Universal Solid Surface Moulded Bowl Top (100% Silica Free)

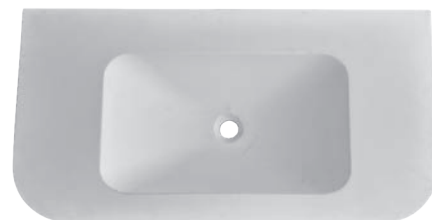
Universal 460mm Solid Surface Moulded Bowl Full Depth Tops

- Non Porous
- Easy to clean (warm soapy water)
- Same colour all the way through sheet
- Scratches can be sanded out (wet & dry)
- Cuts and sands to desired lengths
- Available in Pebble or White
- Available as No Taphole or Taphole
- Curved top option

Universal Curved Solid Surface Moulded Bowl Top

*FOR POSITANO VANITY ONLY

Code		ex GST	inc GST
UNICU9046P	Universal CURVED Moulded Bowl Top 900mm x 460 PEBBLE - 1 Tap hole	\$739.09	\$813
UNICU9046P-OTH	Universal CURVED Moulded Bowl Top 900mm x 460 PEBBLE - NO Tap hole	\$739.09	\$813
UNICU9046W	Universal CURVED Moulded Bowl Top 900mm x 460 WHITE - 1 Tap hole	\$739.09	\$813
UNICU9046W-OTH	Universal CURVED Moulded Bowl Top 900mm x 460 WHITE - NO Tap hole	\$739.09	\$813
UNICU1246P	Universal CURVED Moulded Bowl Top 1200mm x 460 PEBBLE - 1 Tap hole	\$814.55	\$896
UNICU1246P-OTH	Universal CURVED Moulded Bowl Top 1200mm x 460 PEBBLE - NO Tap hole	\$814.55	\$896
UNICU1246W	Universal CURVED Moulded Bowl Top 1200mm x 460 WHITE - 1 Tap hole	\$814.55	\$896
UNICU1246W-OTH	Universal CURVED Moulded Bowl Top 1200mm x 460 WHITE - NO Tap hole	\$814.55	\$896
UNICU1546P	Universal CURVED Moulded Bowl Top 1500mm x 460 PEBBLE - 1 Tap hole	\$1261.82	\$1,388
UNICU1546P-OTH	Universal CURVED Moulded Bowl Top 1500mm x 460 PEBBLE - NO Tap hole	\$1261.82	\$1,388
UNICU1546W	Universal CURVED Moulded Bowl Top 1500mm x 460 1 Tap hole	\$1261.82	\$1,388
UNICU1546W-OTH	Universal CURVED Moulded Bowl Top 1500mm x 460 NO Tap hole	\$1261.82	\$1,388



750 Universal Solid Surface Moulded Bowl Top

Code		ex GST	inc GST
UNI7546P	Universal Top 750mm Solid surface. PEBBLE - 1 Tap hole	\$596.36	\$656
UNI7546P-OTH	Universal Top 750mm Solid surface. PEBBLE - NO Tap hole	\$596.36	\$656
UNI7546W	Universal Top 750mm Solid surface. WHITE - 1 Tap hole	\$596.36	\$656
UNI7546W-OTH	Universal Top 750mm Solid surface. WHITE - NO Tap hole	\$596.36	\$656



900 Universal Solid Surface Moulded Bowl Top

Code		ex GST	inc GST
UNI9046P	Universal Top 900mm Solid surface. PEBBLE - 1 Tap hole	\$596.36	\$713
UNI9046P-OTH	Universal Top 900mm Solid surface. PEBBLE - NO Tap hole	\$596.36	\$713
UNI9046W	Universal Top 900mm Solid surface. WHITE - 1 Tap hole	\$596.36	\$713
UNI9046W-OTH	Universal Top 900mm Solid surface. WHITE - NO Tap hole	\$596.36	\$713



1200 Universal Solid Surface Moulded Bowl Top

Code		ex GST	inc GST
UNI1246P	Universal Top 1200mm Solid surface. PEBBLE - 1 Tap hole	\$723.64	\$796
UNI1246P-OTH	Universal Top 1200mm Solid surface. PEBBLE - NO Tap hole	\$723.64	\$796
UNI1246W	Universal Top 1200mm Solid surface. WHITE - 1 Tap hole	\$723.64	\$796
UNI1246W-OTH	Universal Top 1200mm Solid surface. WHITE - NO Tap hole	\$723.64	\$796



1500 Universal Solid Surface Double Moulded Bowl Top

Code		ex GST	inc GST
UNI1546P	Universal Top 1500mm Solid surface Double Bowl. PEBBLE - 1 Tap hole	\$1170.91	\$1288
UNI1546P-OTH	Universal Top 1500mm Solid surface Double Bowl. PEBBLE - NO Tap hole	\$1170.91	\$1288
UNI1546W	Universal Top 1500mm Solid surface Double Bowl WHITE - 1 Tap hole	\$1170.91	\$1288
UNI1546W-OTH	Universal Top 1500mm Solid surface Double Bowl WHITE - NO Tap hole	\$1170.91	\$1288





WHITE (W)



BMW (BMW)



SLATE (S)



PEBBLE (P)

Non Porous

Easy to clean (warm soapy water)

Same colour all the way through sheet

Scratches can be sanded out (wet & dry or gumption)

Cuts and sands to desired lengths

Solid Surface 20mm Thick Sheet ENSUITE 360mm Tops

		ex GST	inc GST
SSB6036BT20(W,BMW,P OR S)	600 x 360 x 20mm ENSUITE Solid Surface Benchtop	\$468.18	\$515
SSB7536BT20(W,BMW,P OR S)	750 x 360 x 20mm ENSUITE Solid Surface Benchtop	\$531.82	\$585
SSB9036BT20(W,BMW,P OR S)	900 x 360 x 20mm ENSUITE Solid Surface Benchtop	\$595.45	\$655

Solid Surface 20mm Thick Sheet Full Depth 460mm Tops

		ex GST	inc GST
SSB6046BT20(W,BMW,P OR S)	600 x 460 x 20mm Solid Surface Benchtop	\$540.91	\$595
SSB7546BT20(W,BMW,P OR S)	750 x 460 x 20mm Solid Surface Benchtop	\$577.27	\$635
SSB9046BT20(W,BMW,P OR S)	900 x 460 x 20mm Solid Surface Benchtop	\$631.82	\$695
SSB1246BT20(W,BMW,P OR S)	1200 x 460 x 20mm Solid Surface Benchtop	\$722.73	\$795
SSB1546BT20(W,BMW,P OR S)	1500 x 460 x 20mm Solid Surface Benchtop	\$895.45	\$985

Solid Surface 20mm Thick CURVED EDGE Full Depth 460mm Tops

FOR POSITANO VANITY ONLY

		ex GST	inc GST
SSCUB9046BT20(W,BMW,P OR S)	900 x 460 Solid Surface CURVED EDGE Benchtop to suit Positano vanity	\$722.73	\$795
SSCUB1246BT20(W,BMW,P OR S)	1200 x 460 Solid Surface CURVED EDGE Benchtop to suit Positano vanity	\$813.64	\$895
SSCUB1546BT20(W,BMW,P OR S)	1500 x 460 Solid Surface CURVED EDGE Benchtop to suit Positano vanity	\$950	\$1045

All Shave Cabinets have matching interior colour

600 Florence Mirror Wall Cabinet

- Pencil edge finish glass doors
- 2 Soft close doors with quick release
- Adjustable glass shelves
- 750mm high
- 1 year product replacement only
- Available in Gloss White, Oak

Code	ex GST	inc GST
600MSCWH	\$380.91	\$419
600MSCOAK	\$380.91	\$419



750 Florence Mirror Wall Cabinet

- Pencil edge finish glass doors
- 2 Soft close doors with quick release
- Adjustable glass shelves
- 750mm high
- 1 year product replacement only
- Available in Gloss White, Oak

Code	ex GST	inc GST
750MSCWH	\$476.36	\$524
750MSCOAK	\$476.36	\$524



900 Florence Mirror Wall Cabinet

- Pencil edge finish glass doors
- 2 Soft close doors with quick release
- Adjustable glass shelves
- 750mm high
- 1 year product replacement only
- Available in Gloss White, Oak

Code	ex GST	inc GST
900MSCWH	\$502.73	\$553
900MSCOAK	\$502.73	\$553



1200 Florence Mirror Wall Cabinet

- Pencil edge finish glass doors
- 2 Soft close doors with quick release
- Adjustable glass shelves
- 750mm high
- 1 year product replacement only
- Available in Gloss White, Oak

Code	ex GST	inc GST
1200MSCWH	\$650	\$715
1200MSCOAK	\$650	\$715



New Hannah Mirror Wall Cabinet - Walnut

- Pencil edge finish glass doors
- 2 Soft close doors with quick release
- Adjustable glass shelves
- 750mm high
- 1 year product replacement only
- Available only in Walnut

Code	ex GST	inc GST
H600MSCWAL	\$380.91	\$419
H750MSCWAL	\$476.36	\$524
H900MSCWAL	\$502.73	\$553
H1200MSCWAL	\$650	\$715



All shave cabinets are matching colour inside

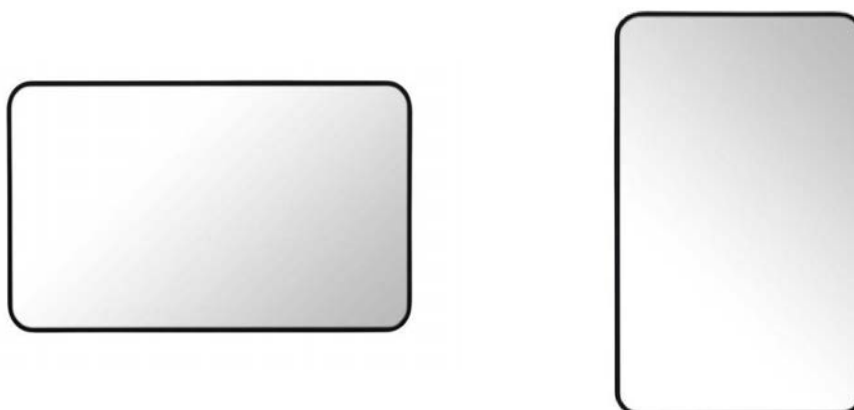
Bevelled Mirror

		ex GST	inc GST
LDAOBM	OVAL BEVELLED MIRROR 500 X 700	\$180.91	\$199.00
LDA40RBM	ROUND BEVELLED MIRROR 400r	\$162.73	\$179.00
LDARBM	ROUND BEVELLED MIRROR 600r	\$180.91	\$199.00



Jasper Rectangle Mirror

		ex GST	inc GST
LDAJMB	910 X 610 X 30 BLACK FRAMED ALUMINIUM MIRROR, LANDSCAPE OR PORTRAIT MOUNT	\$362.73	\$399.00
LDALMW	910 X 610 X 30 WHITE FRAMED ALUMINIUM MIRROR, LANDSCAPE OR PORTRAIT MOUNT	\$362.73	\$399.00
LDAJMSS	910 X 610 X 30 BRUSHED STAINLESS ALUMINIUM MIRROR, LANDSCAPE OR PORTRAIT MOUNT	\$362.73	\$399.00
LDAJMBG	910 X 610 X 30 BRUSHED GOLD ALUMINIUM MIRROR, LANDSCAPE OR PORTRAIT MOUNT	\$362.73	\$399.00



Ella Elongated Arched Mirror

		ex GST	inc GST
LDAELLAM	400 X 800 POLISHED EDGE	\$180.91	\$199.00



Horizon Arched Mirror

		ex GST	inc GST
LDAHMB	500 X 900h X 30 BLACK MIRROR STAINLESS STEEL FRAME	\$362.73	\$399.00
LDAHMMW	500 X 900h X 30 WHITE MIRROR STAINLESS STEEL FRAME	\$362.73	\$399.00
LDAHSS	500 X 900h X 30 BRUSHED STAINLESS MIRROR STAINLESS STEEL FRAME	\$362.73	\$399.00
LDAHMBG	500 X 900h X 30 BRUSHED GOLD STAINLESS STEEL FRAME	\$362.73	\$399.00



Mirage Round Mirror

		ex GST	inc GST
LDAMRMB	700r X 40 BLACK MIRROR STAINLESS STEEL FRAME	\$362.73	\$399.00
LDAMRW	700r X 40 WHITE MIRROR STAINLESS STEEL FRAME	\$362.73	\$399.00
LDAMRMS	700r X 40 BRUSHED NICKEL MIRROR STAINLESS STEEL FRAME	\$362.73	\$399.00
LDAMRMBG	700r X 40 BRUSHED GOLD MIRROR STAINLESS STEEL FRAME	\$362.73	\$399.00
LDAMRMGMG	700r X 40 Gunmetal GREY MIRROR STAINLESS STEEL FRAME	\$362.73	\$399.00



Matt Black



Satin Steel



Brushed Gold



Matt White



Gun Metal Grey

Midnight Mirror

		ex GST	inc GST
LDAMIDMB	900X750X20 BLACK FRAMED ALUMINIUM MIRROR	\$271.82	\$299.00



Effective from the 1st of September 2021 Castano Bathrooms and Kitchens will be updating the warranty periods for products purchased on or after the 1st of September 2021. For details on these warranty details please see below

PRODUCT WARRANTY

FOR PRODUCT PURCHASED ON OR AFTER 1ST SEPTEMBER 2021

The benefits given by the warranty set out in this document are in addition to any other rights and remedies you may have under a law in relation to the goods to which the warranty relates.

AUSTRALIAN CONSUMER LAW GUARANTEE

Our goods come with guarantees that cannot be excluded under the Australian Consumer Law. You are entitled to a replacement or refund for a major failure and compensation for any other reasonable foreseeable loss or damage. You are also entitled to have the goods repaired or replaced if the goods fail to be of acceptable quality and the failure does not amount to a major failure.

Range	Model	Warranty	Comments
MIXER	AMALFI CAPRI ELBA	7	7 year on Cartridge 1 year parts and labour 2 year on BLACK 10 year on flexible tails, product replacement only
	SIERA MILAN VALERNO	15 15 15	15 year on Cartridge 2 year parts and labour
ACCESSORIES	CAPRI ELBA	10	10 year product replacement only 2 year on BLACK or NICKEL or Gunmetal finish
POP UP WASTE		7	7 year product replacement only 2 year on BLACK or NICKEL finish
SHOWER	CAPRI ELBA Milan URBINO POSITANO	10	10 year product replacement only, 1 year labour 1 year hose product replacement only 2 year on BLACK or NICKEL or Gunmetal finish
VANITIES (CABINETS & TOPS)	TIRAMI JANINE HANNAH POSITANO	5	5 year product replacement only 1 year labour
MIRROR WALL UNITS		1	1 year product replacement only 1 year labour
BASINS		5	5 year product replacement only 1 year labour
TOILET SUITE	CERAMICS SEAT	20 5	20 year on vitreous china product replacement only 5 year on UV resistance product replacement only
	INTERNAL VALUES HINGES & RUBBER SEALS	3 1	3 year product replacement only 1 year product replacement and labour (does not cover loose seat)
BATHS	LUCITE BATHS MATTE BATHS	25 10	25 year product replacement only 10 year product replacement only
STAINLESS STEEL FLOOR WASTES	CASTANO	LIFETIME 5	Lifetime structural warranty on stainless 5 year on colour finish
STAINLESS STEEL SINK	CASTANO	25	25 year product replacement only Calabria range 10 year product replacement only on other ranges 1 year labour
	SINK WASTE	1	1 year replacement only basket waste
STAINLESS STEEL LAUNDRY	CASTANO SINK WASTE	10 1	10 year product replacement only 1 year replacement only basket waste

PRODUCT WARRANTY

FOR PRODUCT PURCHASED BETWEEN 1ST JUNE 2014 AND 31ST AUGUST 2021

The benefits given by the warranty set out in this document are in addition to any other rights and remedies you may have under a law in relation to the goods to which the warranty relates.

AUSTRALIAN CONSUMER LAW GUARANTEE

Our goods come with guarantees that cannot be excluded under the Australian Consumer Law. You are entitled to a replacement or refund for a major failure and compensation for any other reasonable foreseeable loss or damage. You are also entitled to have the goods repaired or replaced if the goods fail to be of acceptable quality and the failure does not amount to a major failure.

Range	Model	Warranty	Comments
MIXER	CAPRI Milan ELBA SIERA	7	7 year on Cartridge 2 year parts and labour 2 year on BLACK
	POSITANO URBINO	15	15 year on Cartridge 2 year parts and labour 2 year on BLACK Finish
ACCESSORIES	CAPRI ELBA PIERA	5	5 year replacement parts OR complete product 2 year on BLACK finish
POP UP WASTE		5	5 year replacement parts OR complete product 2 year on BLACK finish
SHOWER	CAPRI Milan ELBA	7	7 year replacement parts OR complete product 2 year on BLACK finish
VANITIES (CABINETS & TOPS)	GENOA MADRID FIRENZE VERONA VIENNA MESINA	5	5 year replacement parts OR complete product
MIRROR WALL UNITS		5	5 year replacement parts OR complete product
CERAMIC BASINS		7	7 year replacement parts OR complete product
TOILET SUITE	CERAMICS	7	7 year product replacement parts OR complete product Product in only warranted with the use of 20mm pan connector, anything else will void service warranty
	SEAT/HINGES INTERNALS	2	2 year replacement parts OR complete product
BATHS	LUCITE ACRYLIC	25	25 year replacement parts OR complete product

CLAIMS

Goods that HAVE NOT yet been installed are to be returned to the place of purchase for inspection and appropriate action.

Goods that HAVE been installed and a defect is claimed. We may arrange for a service call at the place of installation to inspect or correct any defect. If the defect is caused by any reason other than manufacturing faults, a service fee may be charged and we will not be liable for the defect.

NOTE: Where the claim is for a 'visible fault' that should have been detected at installation, we will only replace the goods - with removal and re-installation being at your cost

Proof Of Purchase is required.

Warranty is NOT transferable.

Claims against vitreous china product product faulty dimensions or glazing imperfections (that are permitted within AS1976 - Vitreous China used in Sanitary Applications). It is permitted that vitreous china products will vary up to +/- 3mm on any surface and be acceptable products due to the unique conditions of the product's manufacturing process.

EXCLUSIONS

This warranty is for normal domestic use only (not commercial).

Any defect or injury caused by or resulting from misuse, abuse or neglect, accidental damage, improper installation, or installation by a non-licensed plumber.

Any defect of injury caused by or resulting from products installed in a way that was contrary to any applicable national, State or local standards or regulatory requirements.

Any defect, damage or injury caused by or resulting from the effects of hard water, additives, inadequate flushing of system, or failure to clean and replace outlet aerator inserts or other alterations or modifications which affect the reliability of performance of the product.

Damage to finishes by adhesives or sealants

Defects or injury caused by or resulting from installation of product in situations outside of the Australian standards for plumbing installation

Damage or loss that result only because of:

i. A cause independent of human control that occurs after the goods leave our control

ii. An act, default or omission of, or any representation made by any person (other than Us or our employee or agent)

iii. The fact that the price charged by the supplier was higher than our recommended retail price or the average retail price for the goods.

CONSEQUENTIAL LOSS

Subject always to rights you have under the Australian Consumer Law, and to the extent otherwise permitted by law. We will not be liable for any loss or damage to floor coverings, walls, fixtures, furnishings, or any other consequential loss caused by a defect in the Goods. For the avoidance of doubt, the exclusion of consequential loss applies only to loss occurred outside the guarantees provided by the terms of the Australian Consumer Law.

CONTACT

Castano Bathroom & Kitchen Collection Pty Ltd

50 Bardia Avenue, Seaford, Victoria, 3198.

PH: 1300 856 887

Email: sales @castano.com.au